

多國獎狀
MULTINATIONAL AWARD



多國專利認證
MULTINATIONAL PATENT CERTIFICATION



Multi-functional Air Blow Gun

4-in-1 Kit

四合一工具箱

- 鋁製 / Aluminum ATG-402A
- 塑膠 / Plastic PTG-40A

精準·快速·節能·環保
Precise / Speedy / Energy-saving / Eco-friendly



ATG-402A



1

Air Blow Gun / 風槍

- Labor-saving trigger
- Volume adjustable
- Retaining ring design
- 省力式自鎖把手
- 可調風量
- 保留設計(不鬆脫手/自動收縮)



2

Turbo Air Nozzle / 倍數風量

- Make Turbo air volume
- Air volume can be expanded
- 產生倍數風量
- 吹掃面積可變大



3

Slidable Spray Nozzle / 噴霧

- Sliding forward to spray
- Atomization liquids: for cleaning/ lubrication
- 滑動噴嘴可噴霧
- 霧化液體, 可清潔/潤滑



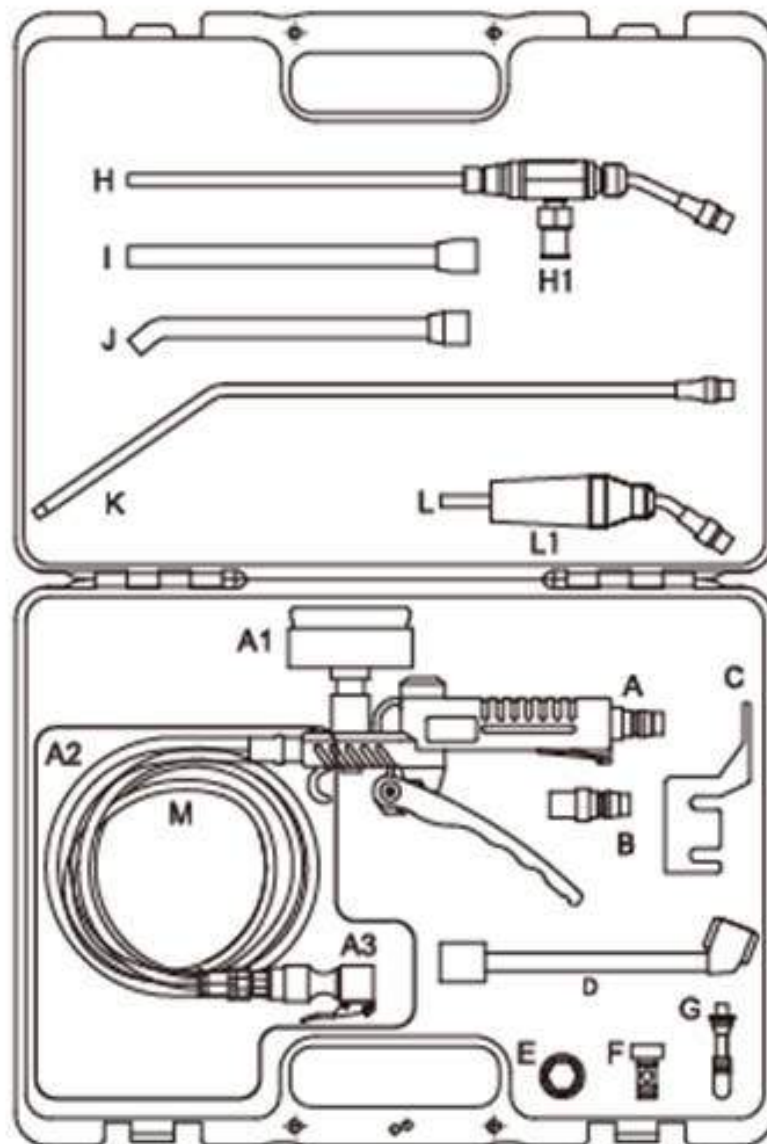
4

Tire Inflator / 打氣量壓

- Measure, release and inflate with the handle
- The gauge and clamp can be rotated 360° and adjust volume.
- 把手具二功能: 量壓·汽氣·放氣
- 胎壓錶·打氣閥, 可360度旋轉及調氣

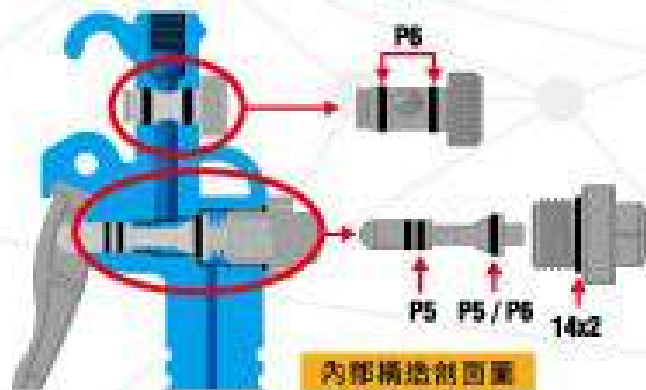
四合一工具箱配置圖及零件敘述

4 in 1 kit with allocation and components description



1

風槍 Air Blow Gun



內部構造剖面圖
Sectional View

- 節省成本 - 漏氣可更換O-RING
- Cost Reduction- Replace o-rings if leakage occurs.

- O-RING規格-內徑x厚度
- Specification: internal diameter x width

| | |
|------|---------|
| P5 | 4.8x1.9 |
| P6 | 5.8x1.9 |
| 14x2 | 14x2 |

塑膠槍架
PGH-06



- 安裝於平面處，例如牆面
- At sides, ex: walls.



- 安裝於直角處，例如工具檯、工具車
- At angles, ex: workbenches, tool carts.



專利風量滑動噴頭
Patent High Volume Air Nozzle

ØMAX ØMIN
風量調整旋鈕
Air Volume Regulator

可自行轉動維修
Parts can be disassembled.
Easy Maintenance

活塞式設計解決因風壓大漏風問題
Piston design solve leakage problem.

包覆式省力把手，省力不易卡鐵屑
Labor-saving trigger

材質：鋁鎳
Material: POM

扣環設計，免壓不手痠
(附卡桿往上固定往下使用)
Retaining ring design

塑膠(P)
PGS-121IN

2 滑動倍數風量 Slidable Air Nozzle

- 三倍風量
- 擴大吹塵範圍，鐵屑不反彈
- Turbo air volume.
- Widen the range of blowing that iron fillings won't rebound.



3 滑動噴霧噴嘴 Slidable Spray Nozzle

- 滑出噴嘴可噴霧
- 霧化液體可用於清潔、潤滑
- Sliding forward to spray.
- Atomization liquids for cleaning or lubrication.



打氣量壓 Tire Inflator

ATG-10



- ① 量壓 Measuring
- ② 洩氣 Deflating
- ③ 進氣 Inflating



- 360°旋轉方便使用者操作
- Users easily use by rotating them 360°.



- 旋轉和調整風量
- Rotate the tire gauge to adjust air volume.

· 規格 Description

胎壓管長度 Tire hose length: 30cm(10")

壓力錶尺寸 Gauge size: 2"

壓力範圍 Max. Pressure: 0~200psi(0~15kg/cm²)

- 節省成本 - 測氣可更換O-RING
- Cost Reduction- Replace o-rings if leakage occurs.

- O-RING規格:內徑x厚度
- Specification: internal diameter x width

| | |
|------|---------|
| P5 | 4.8x1.9 |
| P6 | 5.8x1.9 |
| 14x2 | 14x2 |



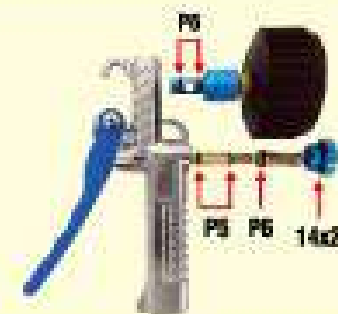
ATG-11

卡車用充氣頭:長度6吋
Air Chuck(length:6")



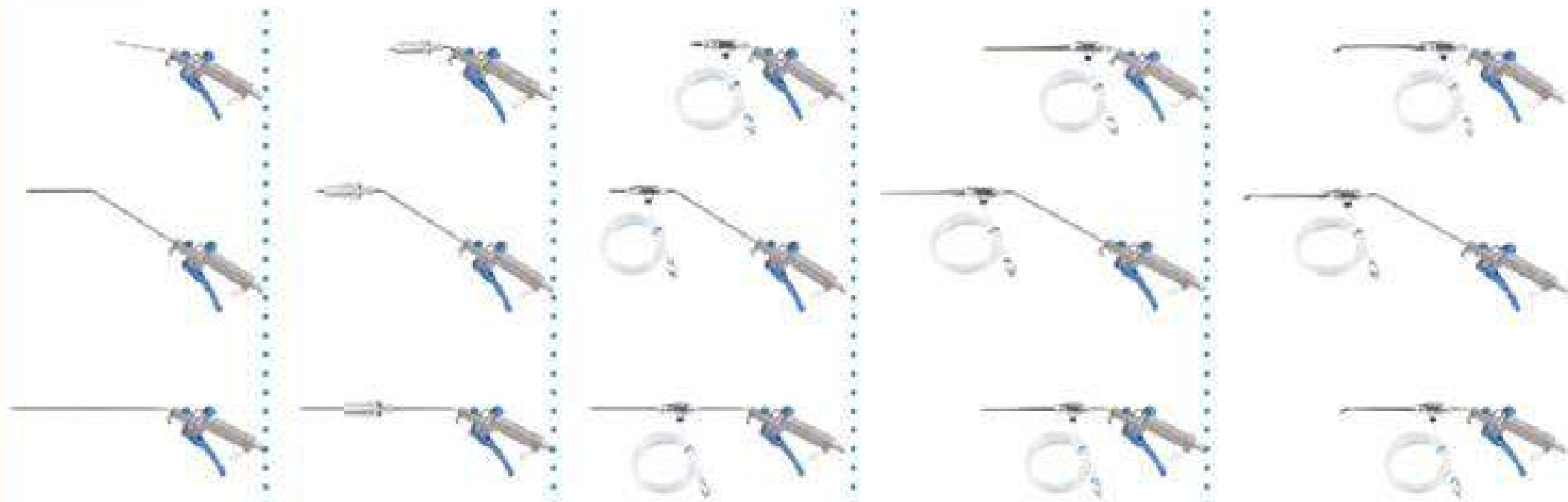
ATG-12

卡車用充氣頭:長度10吋
Air Chuck(length:10")



風槍與噴嘴的15種組合 (5種型式)

15 forms with air blow gun and nozzles (5 types)



風槍型式

Air blow gun

加倍數風量噴嘴

With air nozzle

加噴霧噴嘴

With spray nozzle

加噴霧噴嘴及
直延伸管

With spray nozzle and
straight extended pipe

加噴霧噴嘴及
前端45°彎延伸管

With spray nozzle and
45° front bent extended pipe

| 序號 / No. | 零件位置/ Site | 敘述 / Description |
|-------------|---------------|---|
| ① | A | 風槍槍身 / Air Blow Gun Body |
| ② | A1 | 胎壓錶 / Tire Gauge |
| ③ | A2 | 胎壓管 / Tire Hose |
| ④ | A3 | 夾式打氣頭 / Clamp |
| ⑤ | B | 快速接頭 / Quick Coupler |
| ⑥ | C | 塑膠槍架 / Plastic Holder |
| ⑦ | D | 充氣頭 (長度:6"或10") / Air Chuck (Length:6" or 10") |
| ⑧ | E | 調整鈕蓋 / Lid of the Sliding Control Shaft |
| ⑨ | F | 調整鈕 / Regulating Knob |
| ⑩ | G | 滑動控制梭 / Sliding Control Shaft |
| ⑪ | H | 鐵管長度11" (285mm) 後彎 (含M6*1/8接頭) / Pipe length 11"(285mm) Back Bent with Male of M6* 1/8 |
| ⑫ | H1 | 噴霧噴嘴 / Spray Nozzle |
| ⑬ | I | 延伸管-直 / Straight Extended Pipe |
| ⑭ | J | 延伸管-前端45度彎 / 45° Front Bent Extended Pipe |
| ⑮ | K | 鐵管長度14" (357mm) 前端彎 (含M6*1/8接頭) / Pipe length 14"(357mm) Front Bent with Male of M6* 1/8 |
| ⑯ | L | 鐵管長度5" (123mm) 後彎 (含M6*1/8接頭) / Pipe length 5" (123mm) Back Bent with Male of M6* 1/8 |
| ⑰ | L1 | 倍數風量噴嘴 / Air Nozzle |
| ⑱ | M | 4*6 PVC管- 1.5公尺 / 4*6 PVC Hose- 1.5M |



樺偉機械有限公司
WHY WAIT MACHINERY CO., LTD.

- 1 風槍 Air Blow Gun
- 2 滑動倍數風量 Slidable Air Nozzle
- 3 滑動噴霧噴嘴 Slidable Spray Nozzle
- 4 打氣量壓 Tire Inflator

4-in-1 Kit
四合一工具盒



鋁製 Aluminum
ATG-402A



精準 Precise

快速 Speedy

節能 Energy-saving

環保 Eco-friendly



商標 Taiwan Model 107
專利類別申請證 Inventor
Application No. 107

- ATG-10
- PTG-10
- ATG-11
- PTG-11
- ATG-12
- PTG-12

多功能 **專利** 打氣量壓
Multi-functional Patent
Tire Inflator



Pressure Without Air Inlet
0.1 ~ 0.002 MPa



Pressure Gauge
0.1 ~ 0.002 MPa

- 材質 / Material
- Aluminum / 鋁
 - Nylon POM / 尼龍

- 注意 / Attention
- 此產品為專利產品，請勿仿造。
 - 請認明商標，以免誤購。
 - 請認明 Max. Pressure 0.1 MPa。

品質保證
Quality Guarantee

商標註冊 / TRADE MARK

台灣製造 / Made In Taiwan

新問市
打氣量壓
10"卡車充氣頭



⊕ MAX ⊖ MIN
Air Volume Regulator
風量調整按鈕

Rotate the tire gauge
to control air volume
旋轉和調整風量

- 1 Measure Tire Pressure
量壓
- 2 Release Pressure
洩氣
- 3 Inflate Pressure
進氣







打氣量壓 & 夾式打氣頭



打氣量壓 & 10"卡車用充氣頭

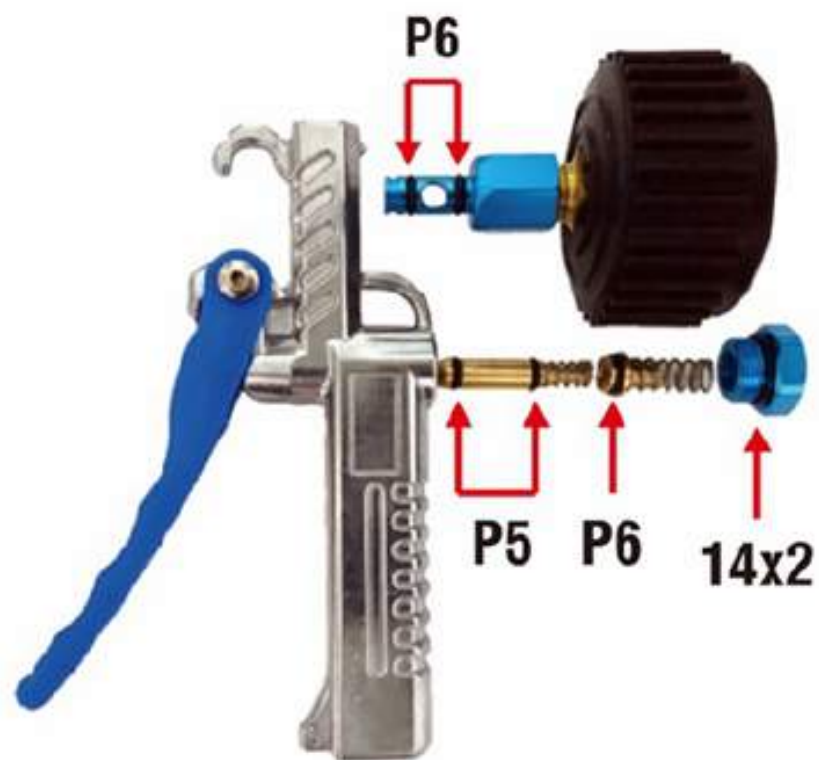




←360度旋轉方便使用者操作



360度旋轉
量壓時方便使用者閱讀數值
進洩氣時可迅速調整其壓力大小



漏氣可更換O-RING

| O-RING | 規格（內徑X厚度） 單位：mm |
|--------|--------------------|
| P5 | 4.8x1.9 |
| P6 | 5.8x1.9 |
| 14x2 | 14x2 |

多國專利證書



法國巴黎展 獎項認證

