

台速工業股份有限公司

BOBBIN MASTER INDUSTRIAL CO;LTD.

TEL:(886 2) 2694-3199

FAX:(886 2) 2694-0947

REV 00

FILE NAME

BM-001

MODEL NAME

5 PIN SMD BASE

MATERIAL

L.C.P.

PIN MATERIAL

NICKEL BRONZE PHOSPHOR BRONZE

TOLERANCE

UL REC.

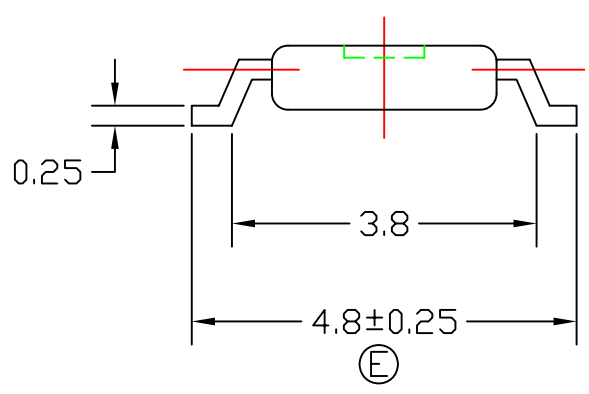
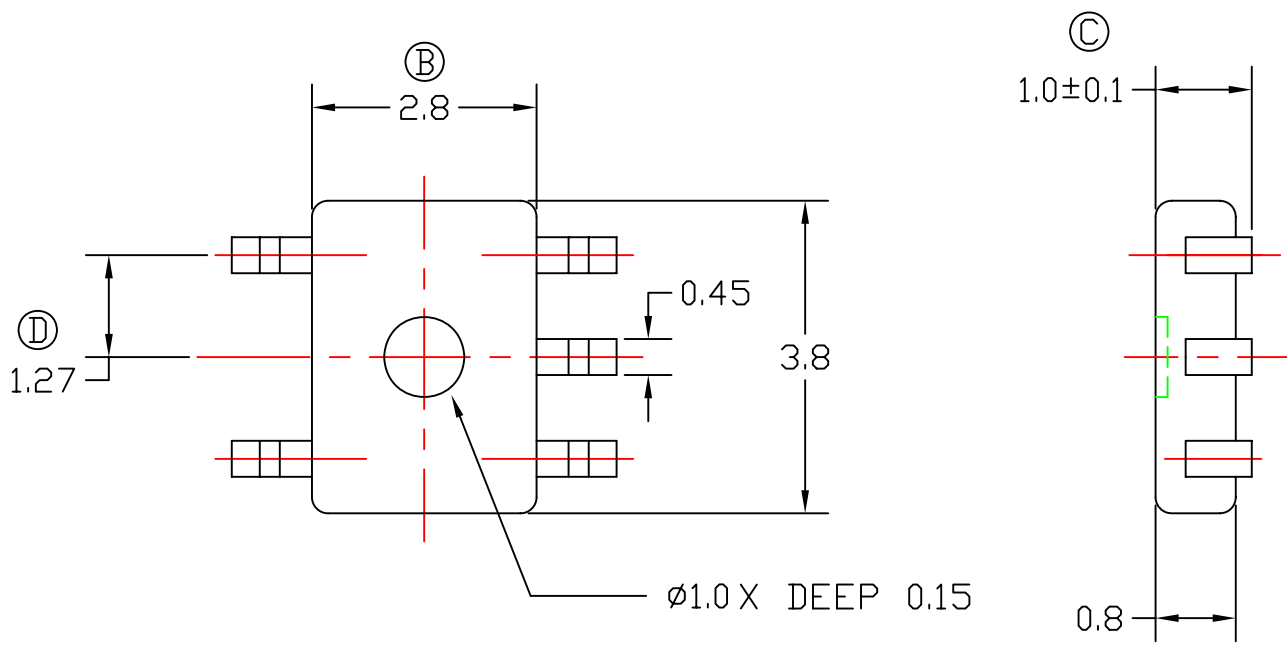
UNIT

X. 0.15

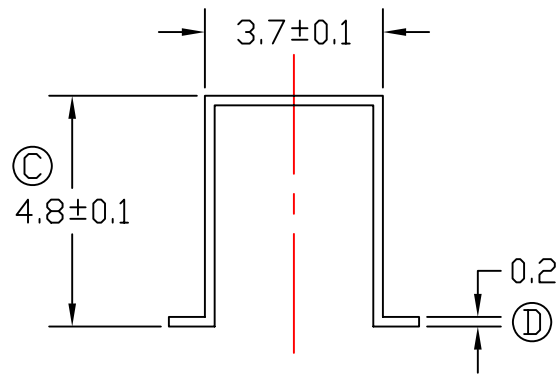
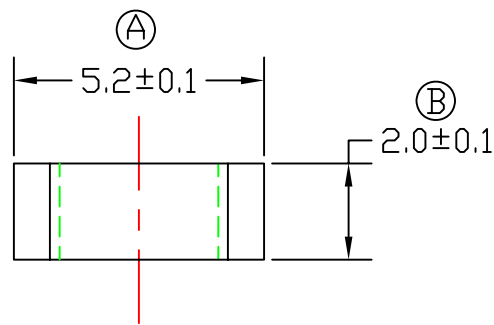
UL 94V-0

m m

X.X 0.1

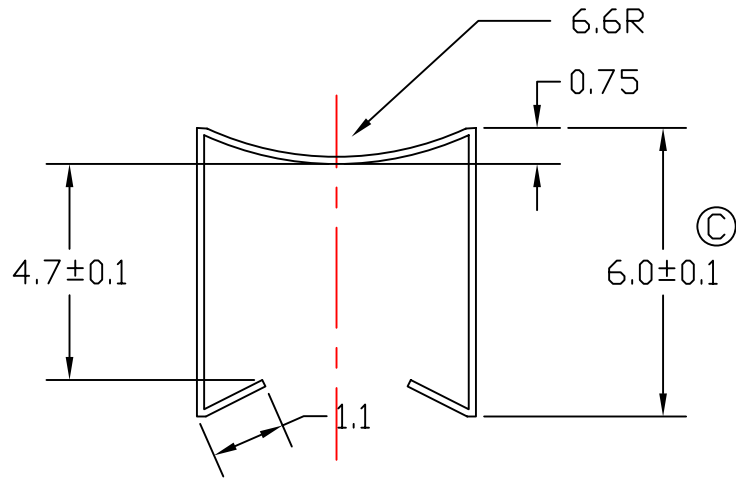
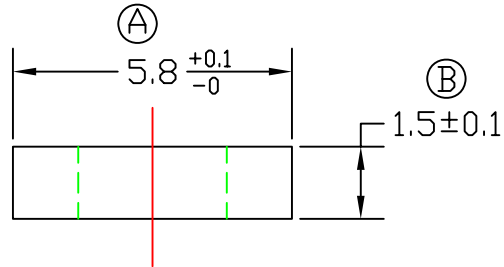


台速工業股份有限公司		FILE NAME	BM-001-2	
BOBBIN MASTER INDUSTRIAL CO;LTD.		MODEL NAME	5 PIN SMD BASE	
TEL:(886 2) 2694-3199		MATERIAL	PM 9630	
FAX:(886 2) 2694-0947		PIN MATERIAL	NICKEL BRONZE PHOSPHOR BRONZE	
REV	00	TOLERANCE	UL REC.	UNIT
		X. 0.15	UL 94V-0	m m
		X.X 0.1		



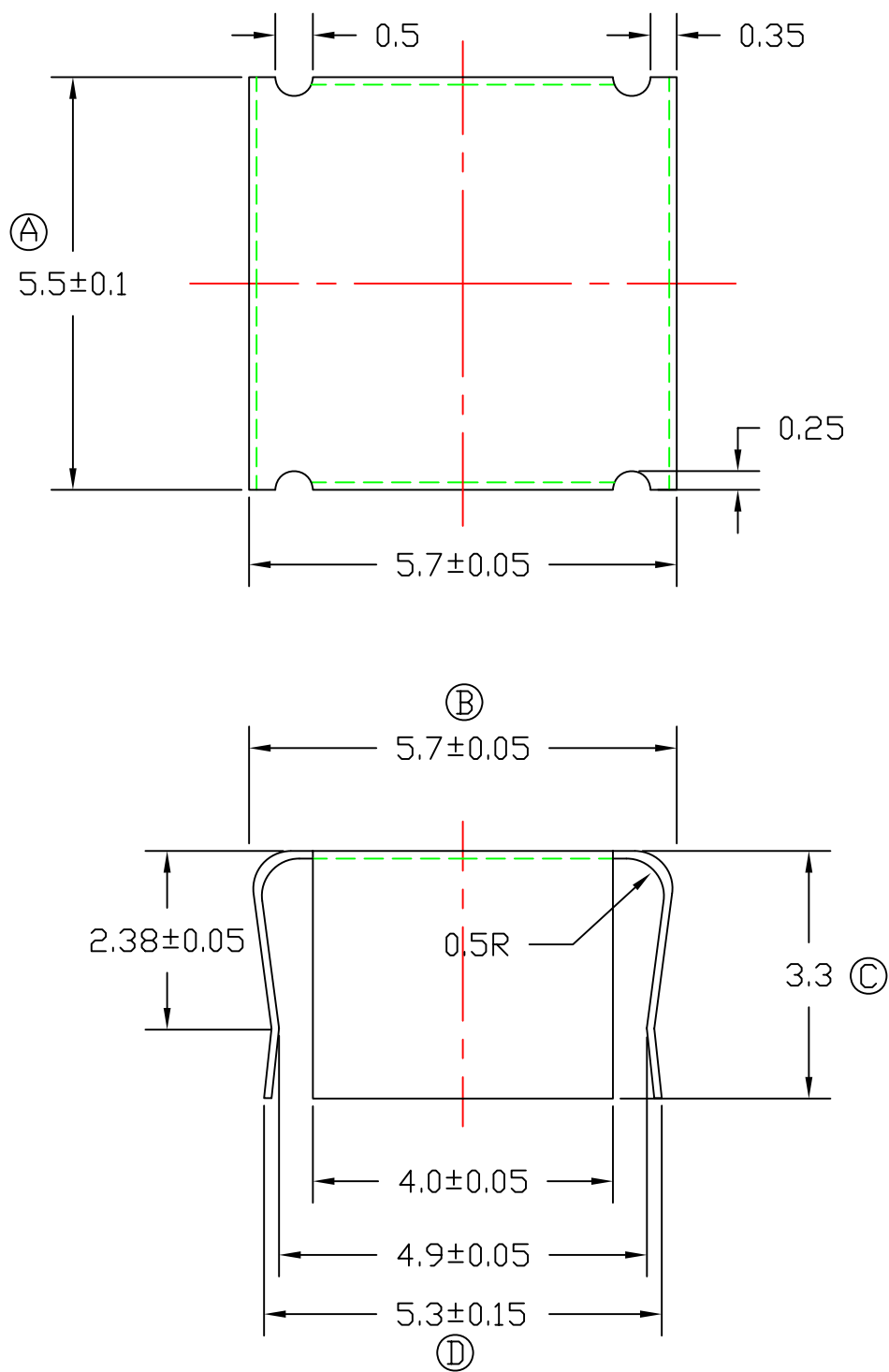
FOR EE5 BOBBIN

台速工業股份有限公司		FILE NAME	BM-002	
BOBBIN MASTER INDUSTRIAL CO;LTD.		MODEL NAME	FOR EE 5	
TEL:(886 2) 2694-3199		MATERIAL	COPPER WITH TIN PLATED	
FAX:(886 2) 2694-0947		PIN MATERIAL	NICKEL BRONZE PHOSPHOR BRONZE	
REV	00	TOLERANCE	UL REC.	UNIT
		X. 0.15 X.X 0.1	UL 94V-0	m m



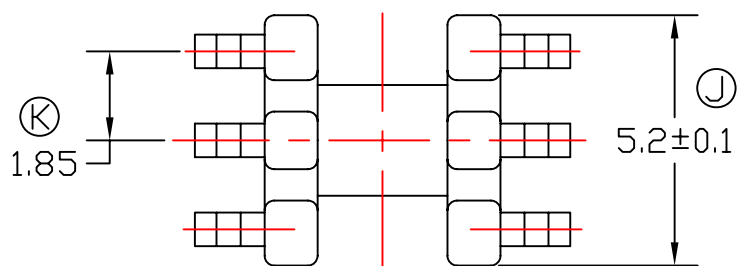
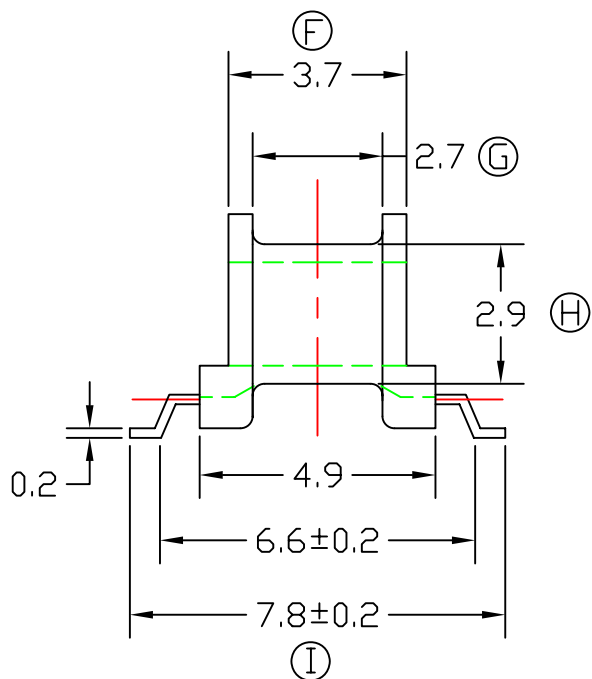
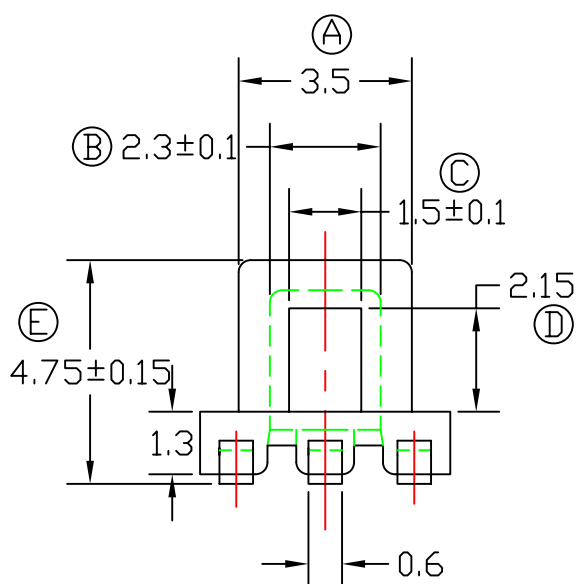
FOR EE5 BOBBIN

台速工業股份有限公司		FILE NAME	BM-003	
BOBBIN MASTER INDUSTRIAL CO;LTD.		MODEL NAME	EE 5 CLAMP	
TEL:(886 2) 2694-3199		MATERIAL	STAINLESS STEEL	
FAX:(886 2) 2694-0947		PIN MATERIAL	NICKEL BRONZE PHOSPHOR BRONZE	
REV		TOLERANCE	UL REC.	UNIT
00		X. 0.15 X.X 0.1	UL 94V-0	m m



FOR EE5 BOBBIN

台速工業股份有限公司		FILE NAME	BM-004	
BOBBIN MASTER INDUSTRIAL CO;LTD.		MODEL NAME	EE 5 COVER CLAMP	
TEL: (886 2) 2694-0926		MATERIAL	STAINLESS	
FAX: (886 2) 26940947		PIN MATERIAL	PHOSPHOR , NICKEL BRONZE	
REV		TOLERANCE	UL REC.	UNIT
00		X. 0.15	UL 94V-0	m m
		X.X 0.1		



台速工業股份有限公司

BOBBIN MASTER INDUSTRIAL CO;LTD.

TEL:(886 2) 2694-3199

FAX:(886 2) 2694-0947

REV 00

FILE NAME

BM-005

MODEL NAME

EE 5 SMD BOBBIN

MATERIAL

L.C.P.

PIN MATERIAL

NICKEL BRONZE PHOSPHOR BRONZE

TOLERANCE

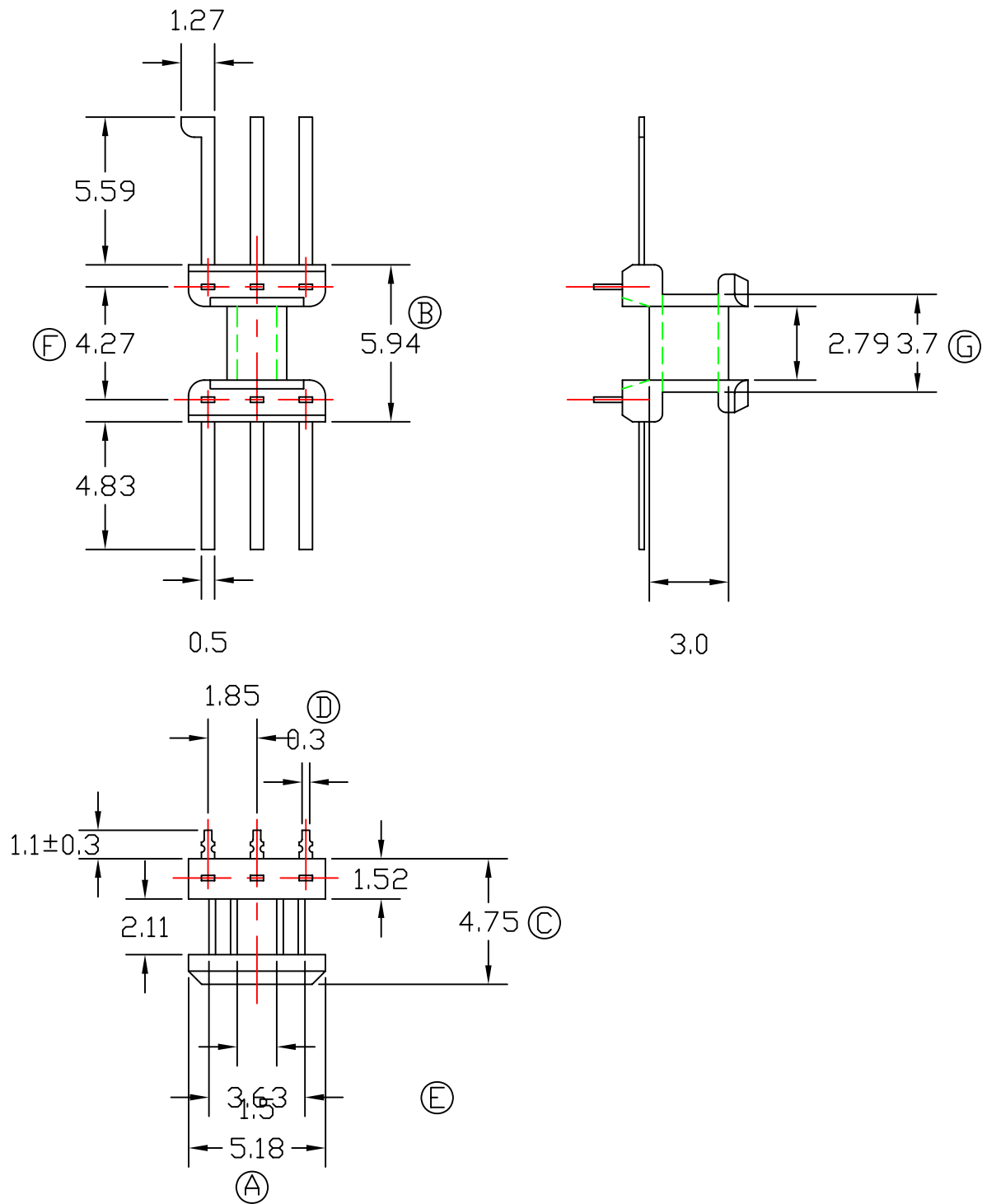
UL REC.

UNIT

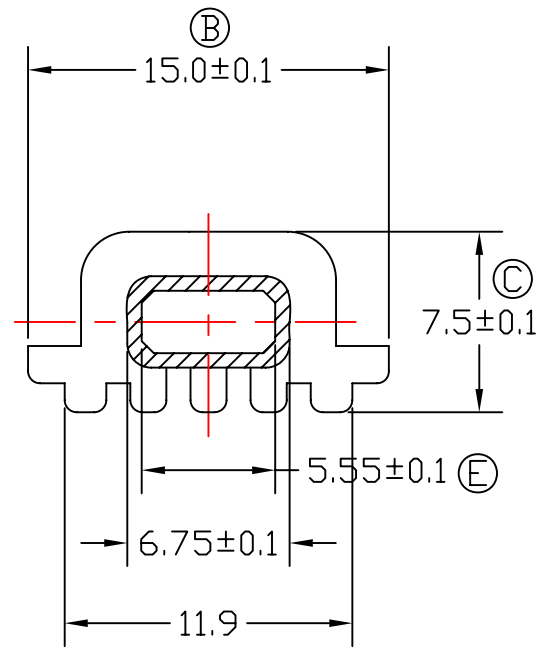
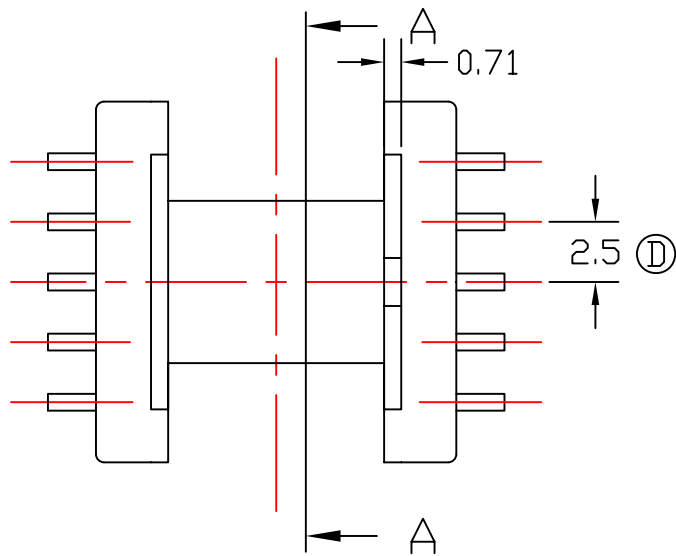
X. 0.15
X.X 0.1

UL 94V-0

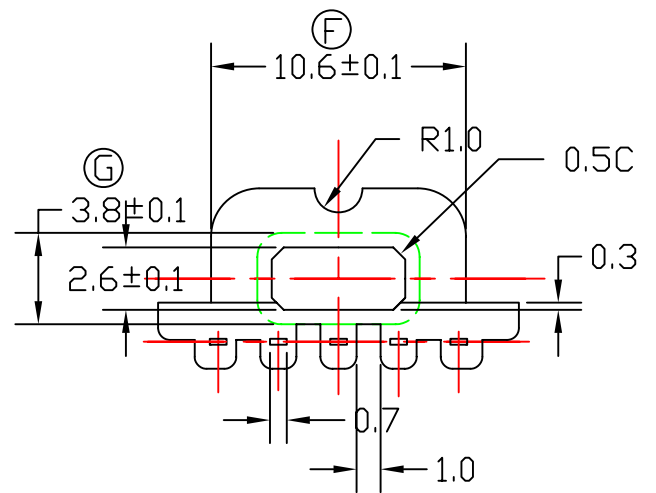
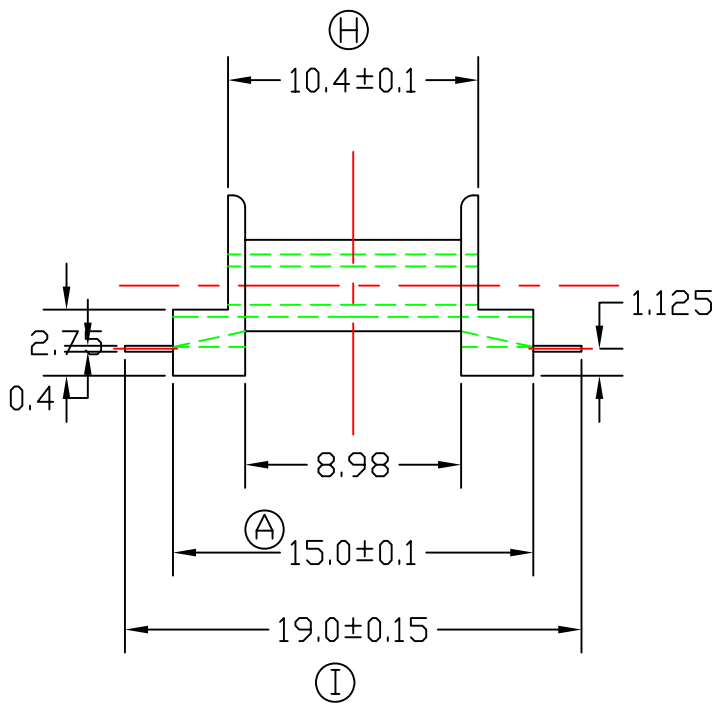
m m



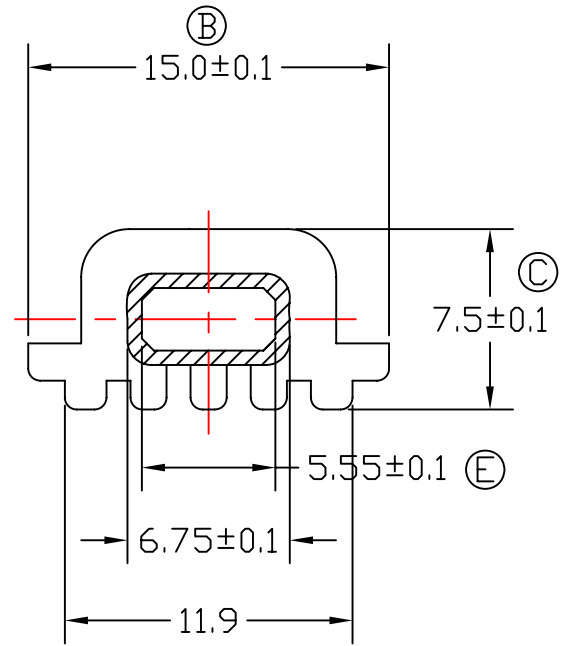
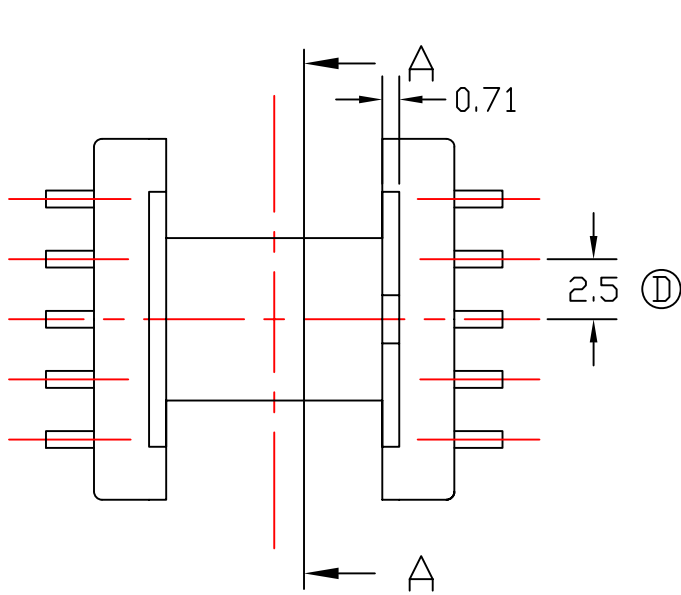
台速工業股份有限公司		FILE NAME	BM-006	
BOBBIN MASTER INDUSTRIAL CO;LTD.		MODEL NAME	EE 5 BOBBIN	
TEL: (886 2) 26943199		MATERIAL	L.C.P	
FAX: (886 2) 26940947		PIN MATERIAL	NICKEL BRONZE PHOSPHOR BRONZE	
REV 00		TOLERANCE	UL REC.	UNIT
		X. 0.15	UL 94V-0	m m
		X.X 0.1		



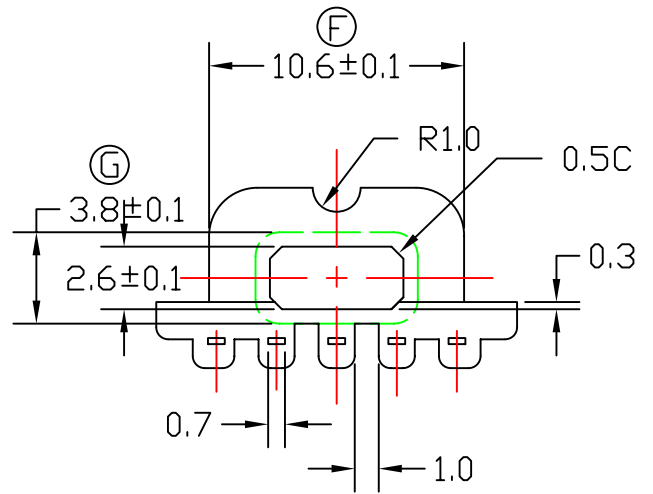
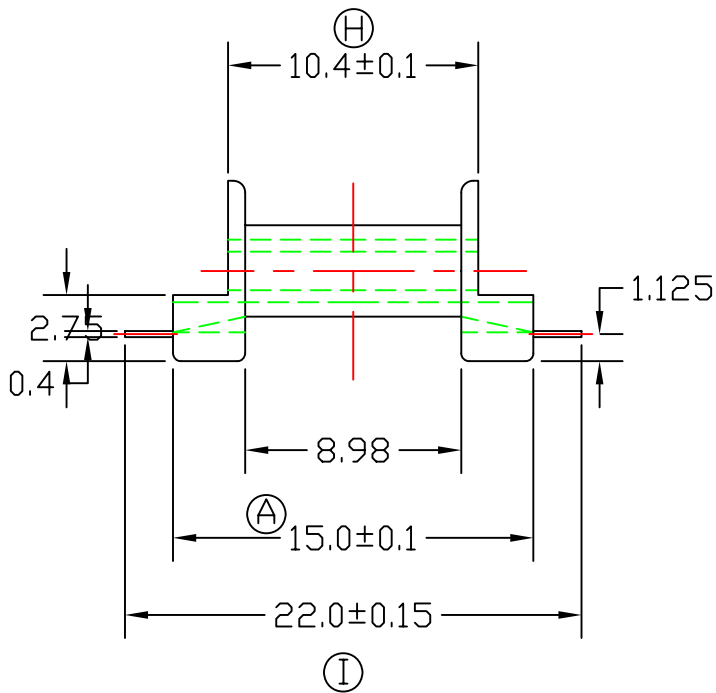
A-A SECTION



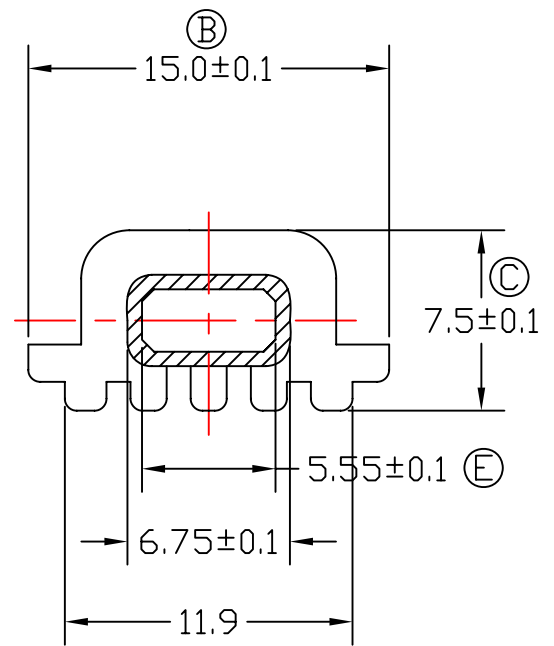
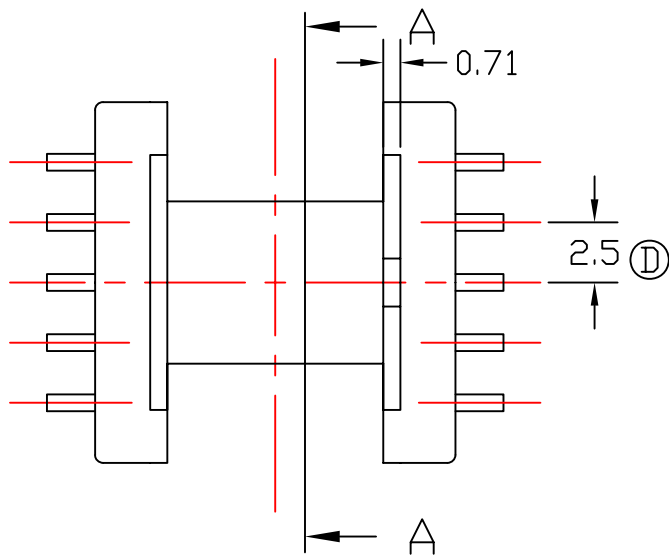
台速工業股份有限公司		FILE NAME	BM-009	
BOBBIN MASTER INDUSTRIAL CO;LTD.		MODEL NAME	EFD 15 (1 SECTION)	
TEL:(886 2) 2694-3199		MATERIAL	L.C.P.	
FAX:(886 2) 2694-0947		PIN MATERIAL	NICKEL BRONZE PHOSPHOR BRONZE	
REV 00		TOLERANCE	UL REC.	UNIT
		X. 0.15	UL 94V-0	m m
		X.X 0.1		



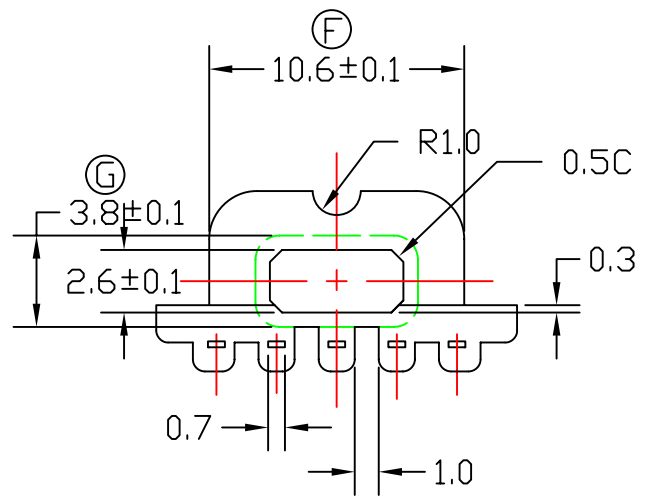
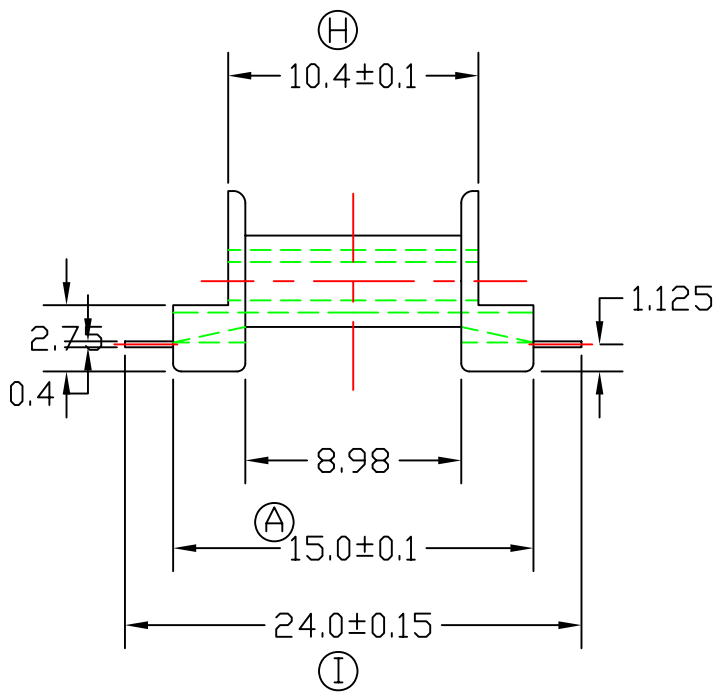
A-A SECTION



台速工業股份有限公司		FILE NAME	BM-010	
BOBBIN MASTER INDUSTRIAL CO;LTD.		MODEL NAME	EFD 15 (1 SECTION)	
TEL:(886 2) 2694-3199		MATERIAL	L.C.P.	
FAX:(886 2) 2694-0947		PIN MATERIAL	NICKEL BRONZE PHOSPHOR BRONZE	
REV 00		TOLERANCE	UL REC.	UNIT
		X. 0.15	UL 94V-0	m m
		X.X 0.1		



A-A SECTION



台速工業股份有限公司

BOBBIN MASTER INDUSTRIAL CO;LTD.

TEL:(886 2) 2694-3199

FAX:(886 2) 2694-0947

REV 00

FILE NAME

BM-011

MODEL NAME

EFD 15 (1 SECTION)

MATERIAL

L.C.P.

PIN MATERIAL

NICKEL BRONZE PHOSPHOR BRONZE

TOLERANCE

UL REC.

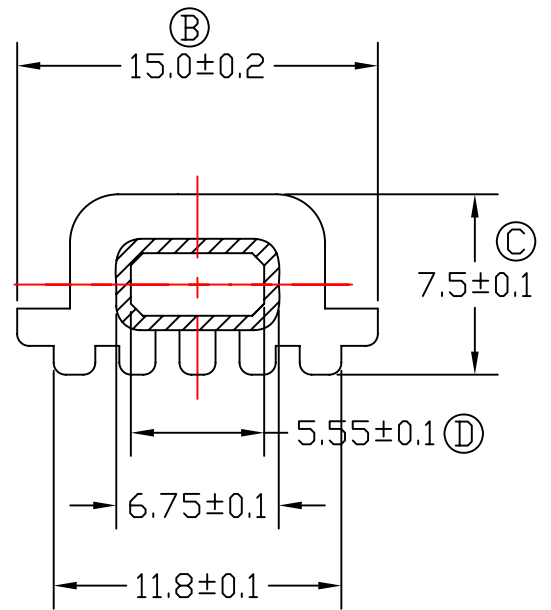
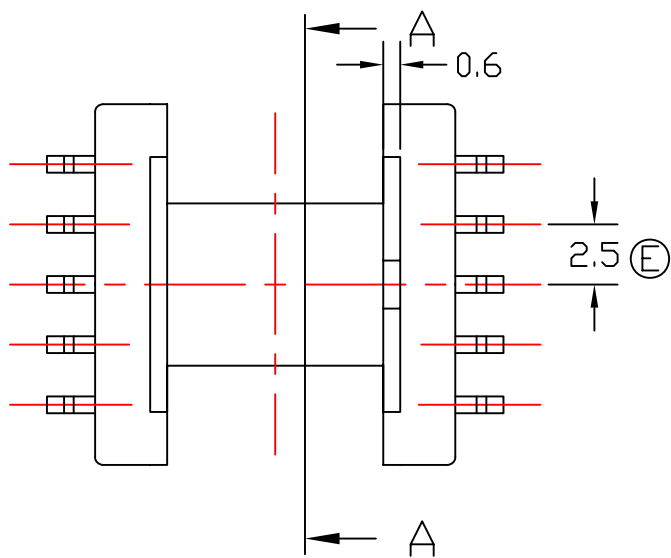
UNIT

X. 0.15

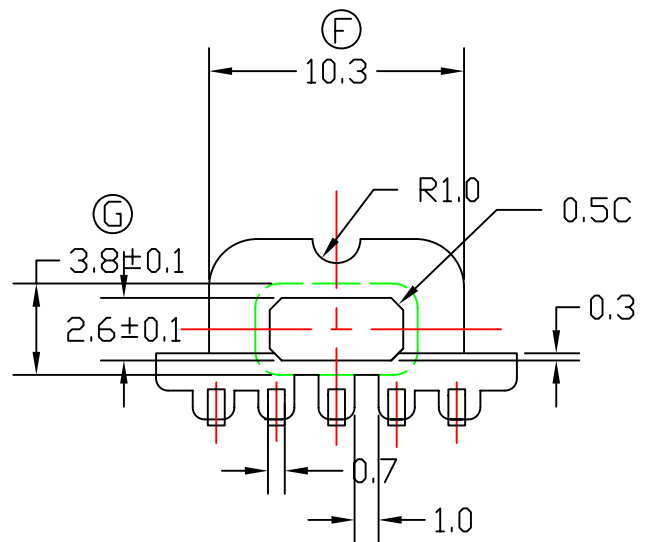
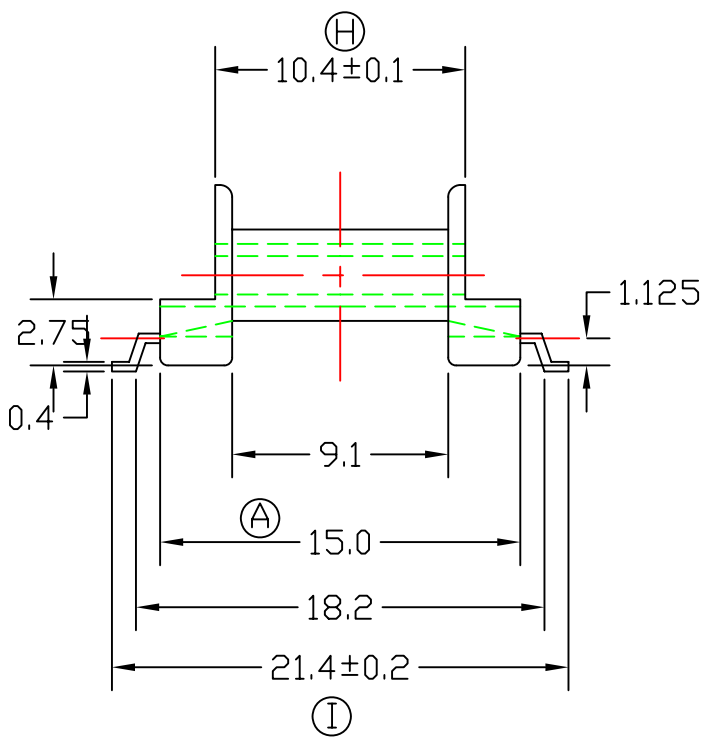
UL 94V-0

m m

X.X 0.1



A-A SEC



台速工業股份有限公司

BOBBIN MASTER INDUSTRIAL CO;LTD.

TEL:(886 2) 2694-3199

FAX:(886 2) 2694-0947

REV 00

FILE NAME

BM-012

MODEL NAME

EFD 15 (1 SECTION)

MATERIAL

E4008

PIN MATERIAL

NICKEL BRONZE PHOSPHOR BRONZE

TOLERANCE

UL REC.

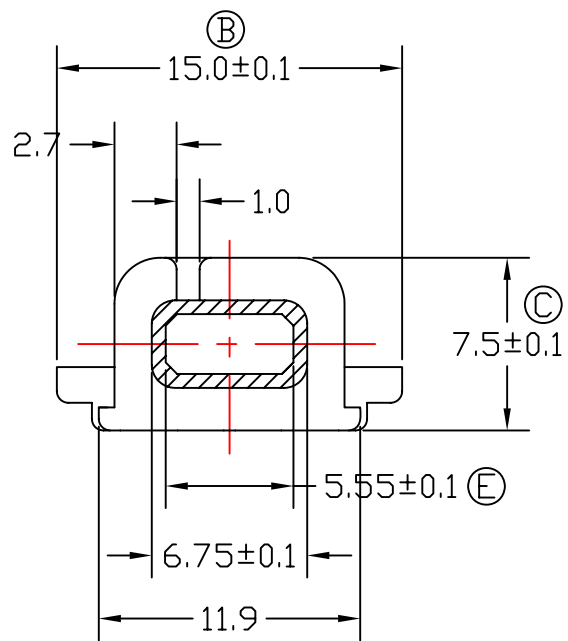
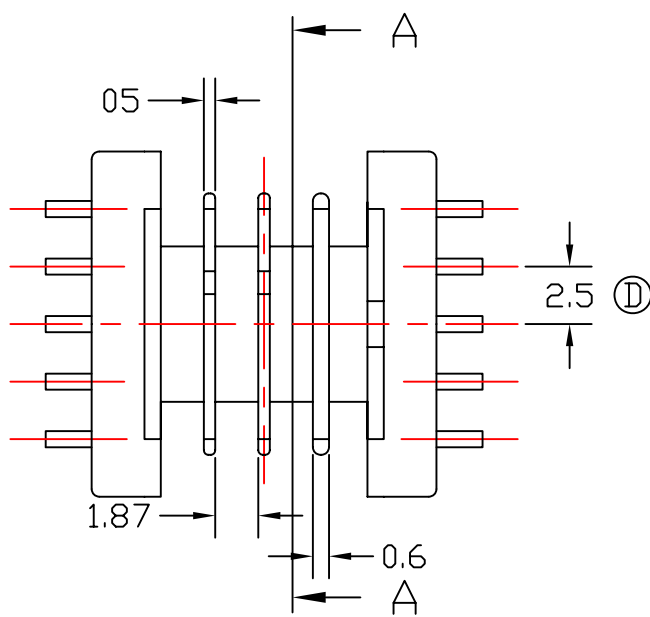
UNIT

X. 0.15

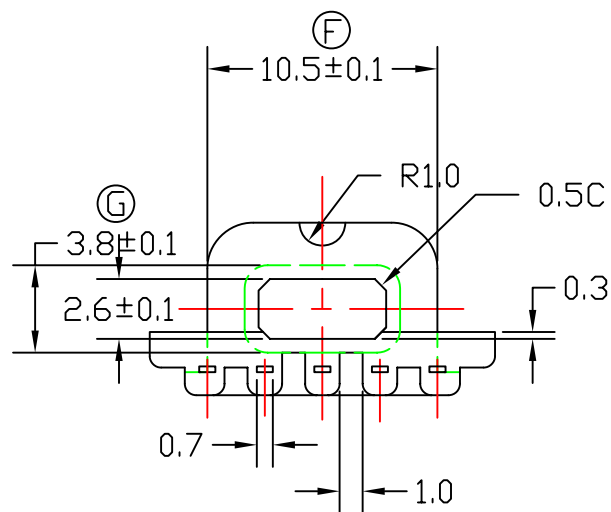
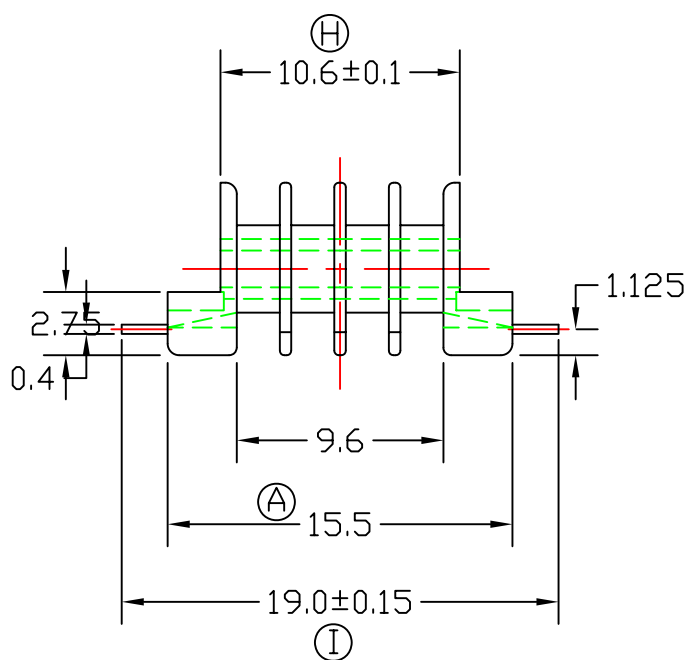
X.X 0.1

UL 94V-0

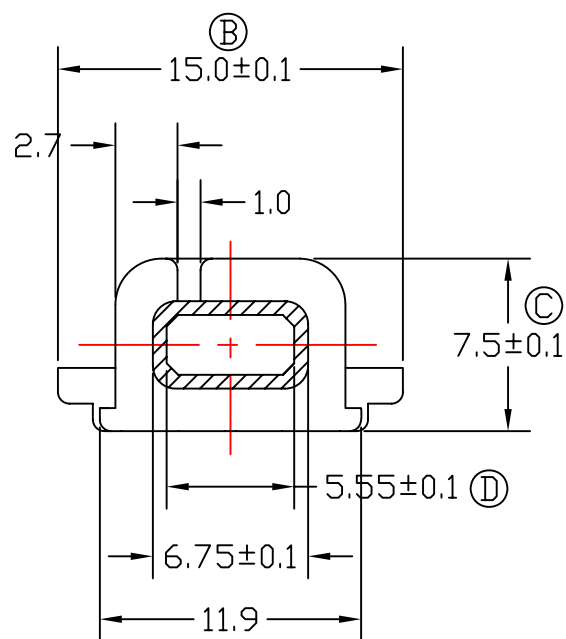
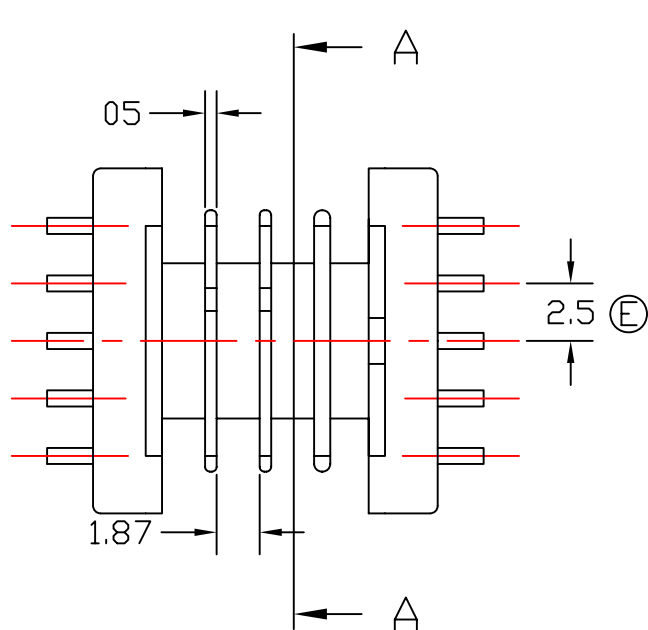
m m



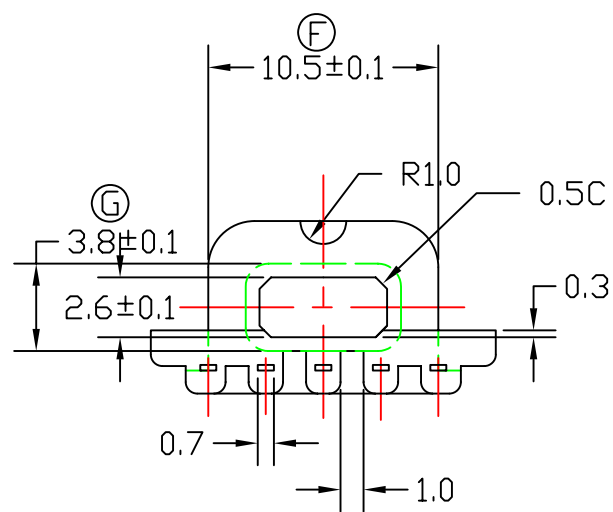
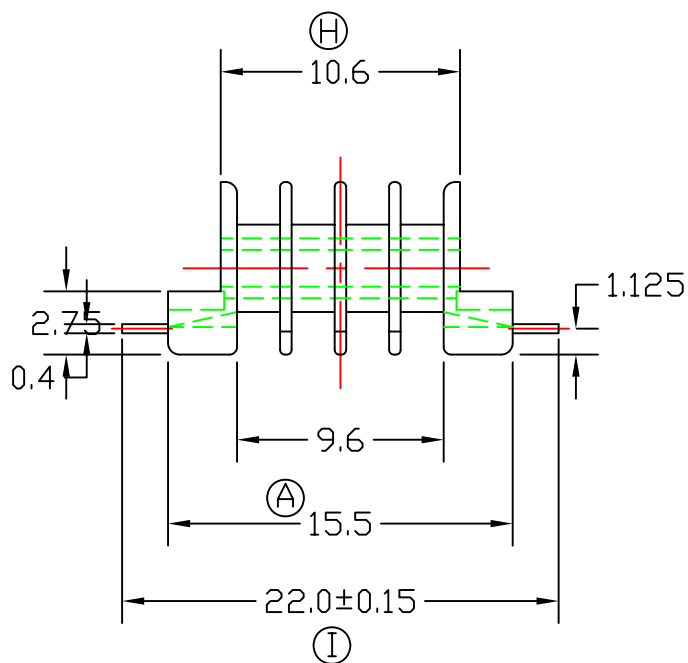
A-A SEC



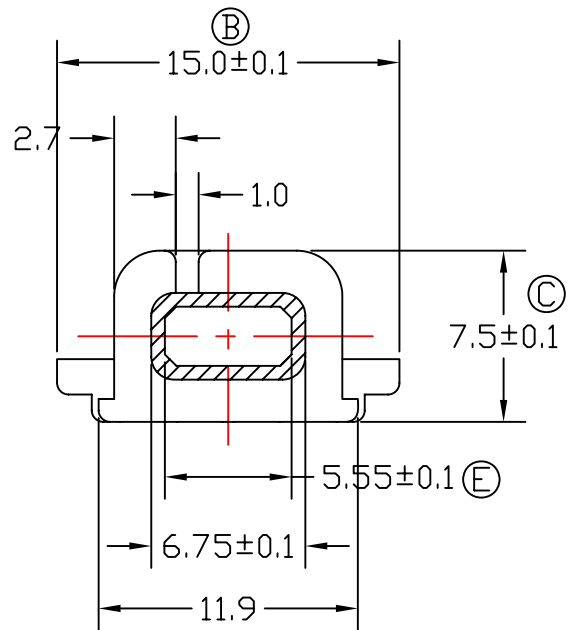
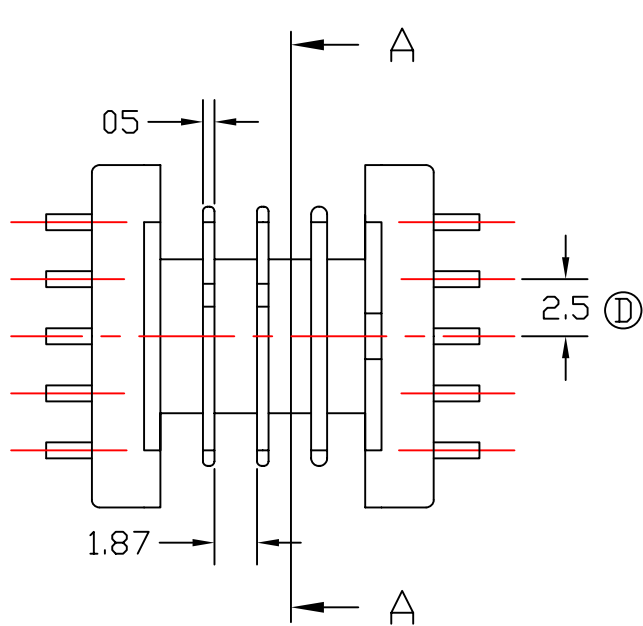
台速工業股份有限公司		FILE NAME	BM-013	
BOBBIN MASTER INDUSTRIAL CO;LTD.		MODEL NAME	EFD 15 (4 SECTION)	
TEL:(886 2) 2694-3199		MATERIAL	L.C.P.	
FAX:(886 2) 2694-0947		PIN MATERIAL	NICKEL BRONZE PHOSPHOR BRONZE	
REV	00	TOLERANCE	UL REC.	UNIT
		X. 0.15	UL 94V-0	m m
		X.X 0.1		



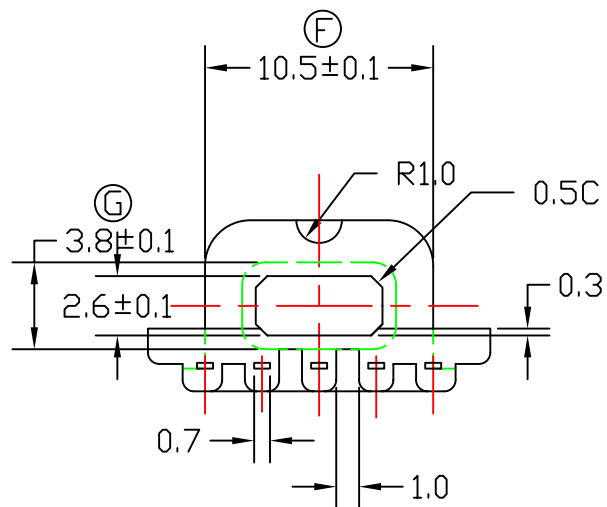
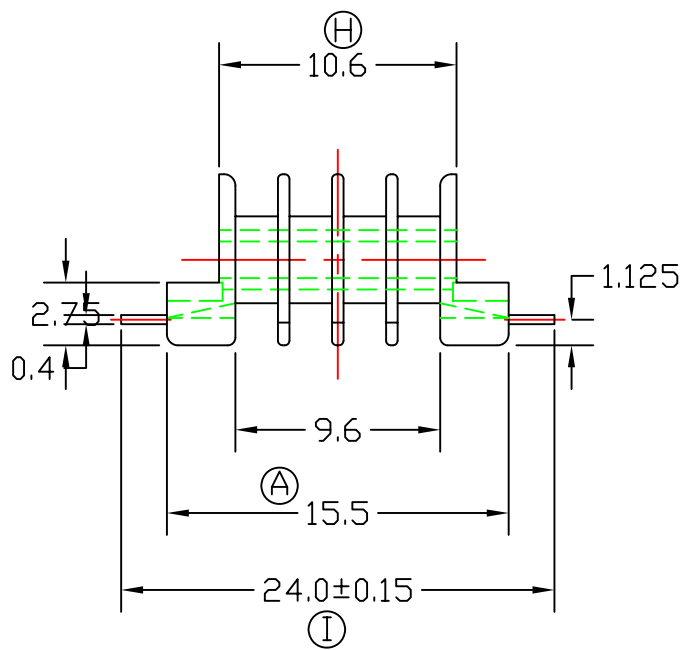
A-A SEC



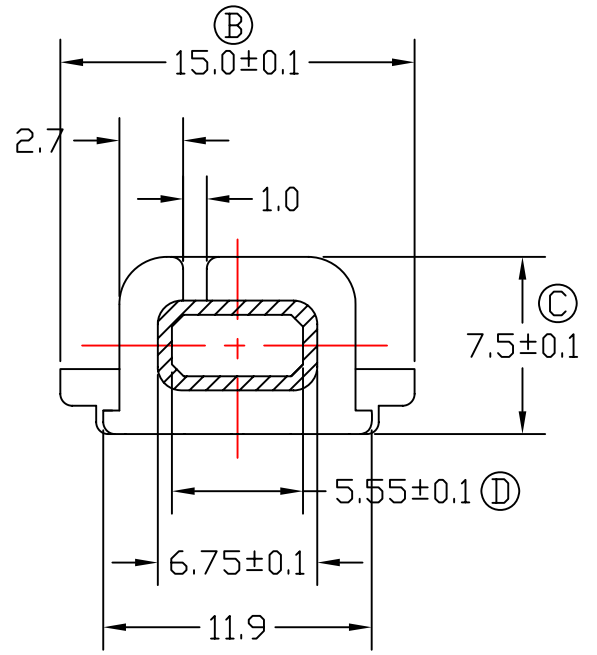
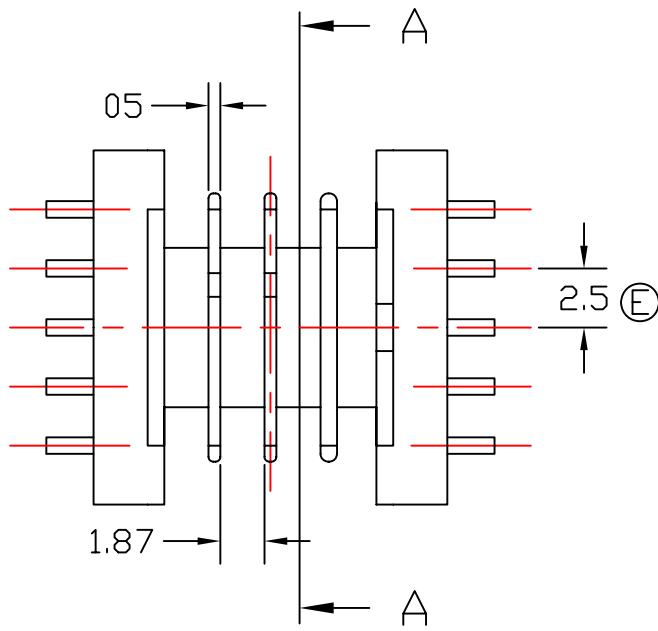
台速工業股份有限公司		FILE NAME	BM-014	
BOBBIN MASTER INDUSTRIAL CO;LTD.		MODEL NAME	EFD 15 (4 SECTION)	
TEL:(886 2) 2694-3199		MATERIAL	L.C.P.	
FAX:(886 2) 2694-0947		PIN MATERIAL	NICKEL BRONZE PHOSPHOR BRONZE	
REV 00		TOLERANCE	UL REC.	UNIT
		X. 0.15	UL 94V-0	m m
		X.X 0.1		



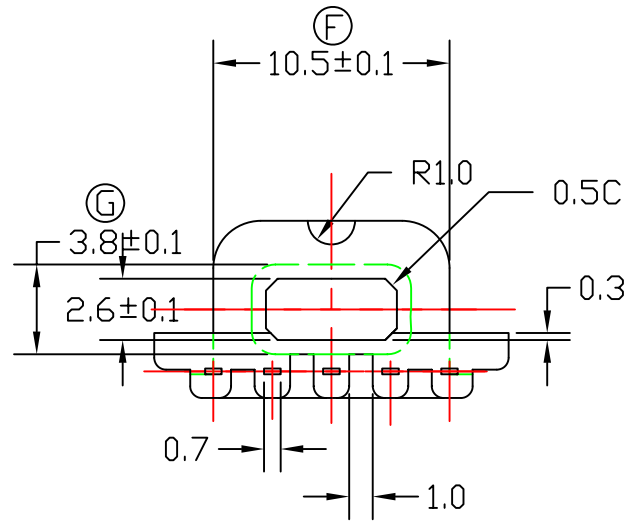
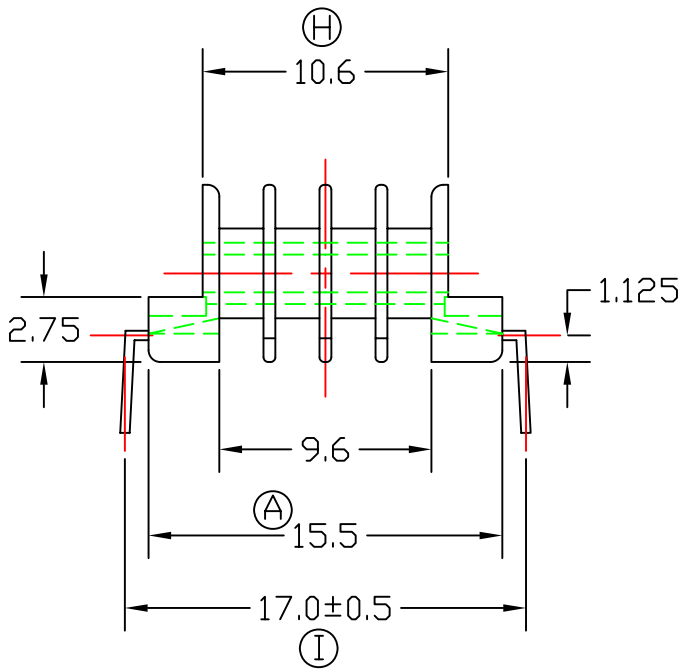
A-A SEC



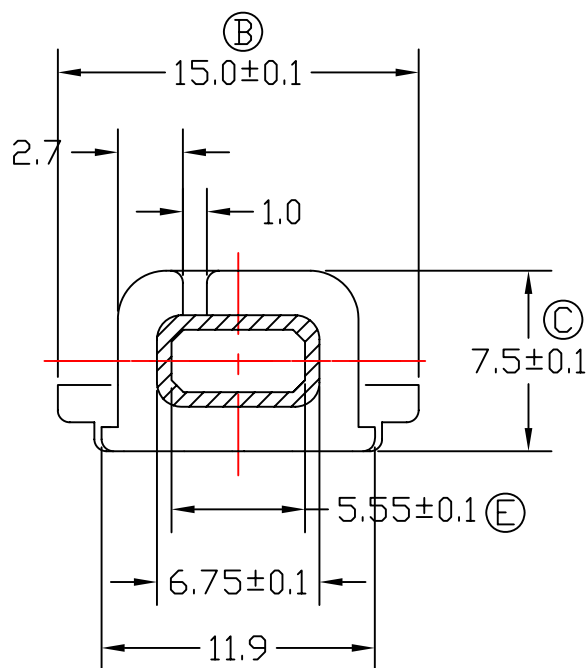
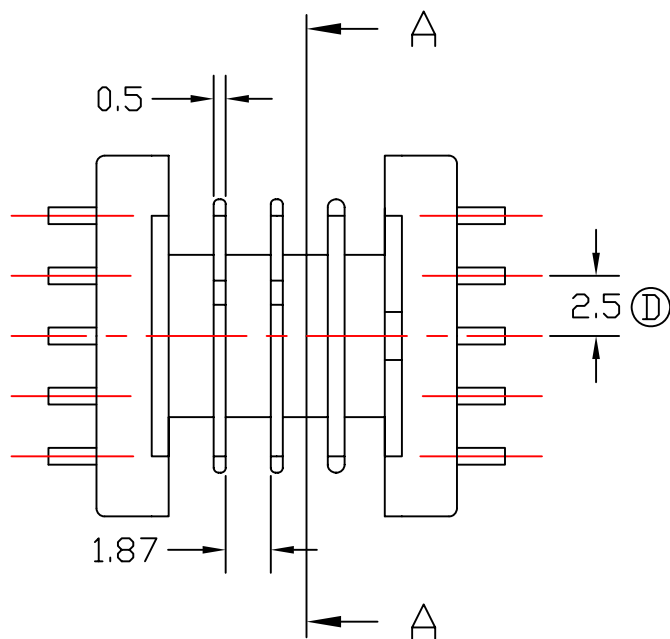
台速工業股份有限公司		FILE NAME	BM-015	
BOBBIN MASTER INDUSTRIAL CO;LTD.		MODEL NAME	EFD 15 (4 SECTION)	
TEL:(886 2) 2694-3199		MATERIAL	L.C.P.	
FAX:(886 2) 2694-0947		PIN MATERIAL	NICKEL BRONZE PHOSPHOR BRONZE	
REV	00	TOLERACE	UL REC.	UNIT
		X. 0.15	UL 94V-0	m m
		X.X 0.1		



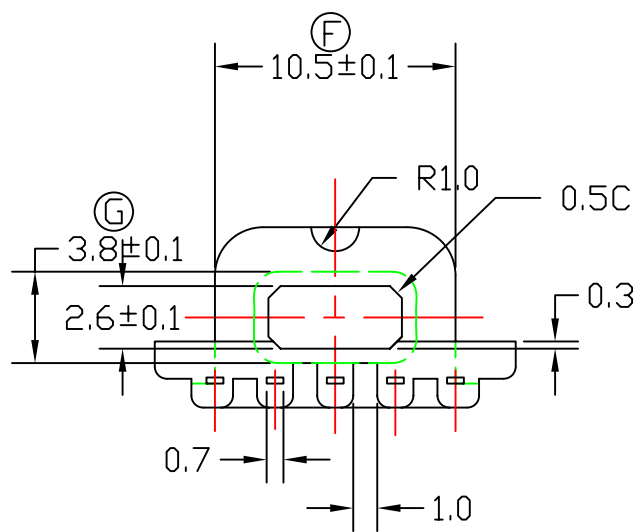
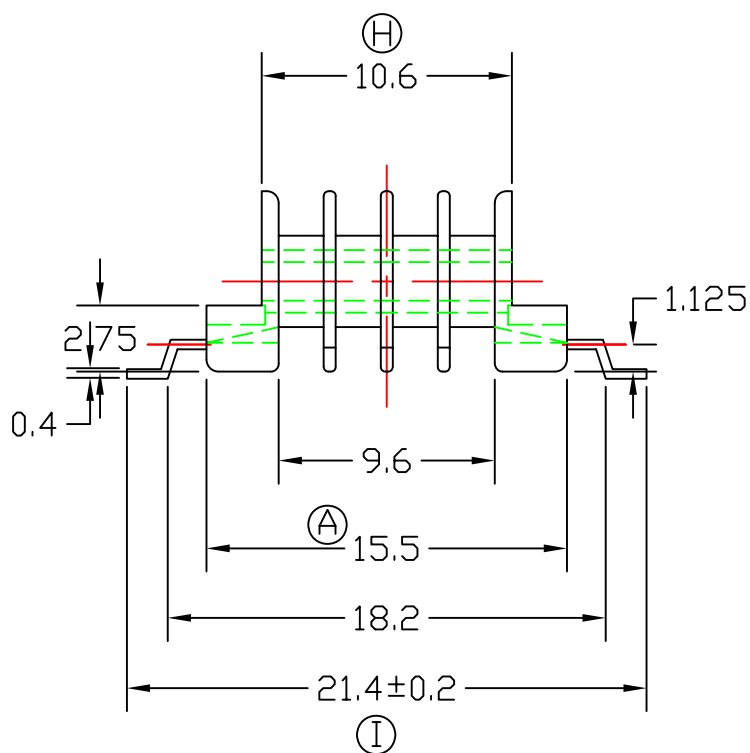
A-A SEC



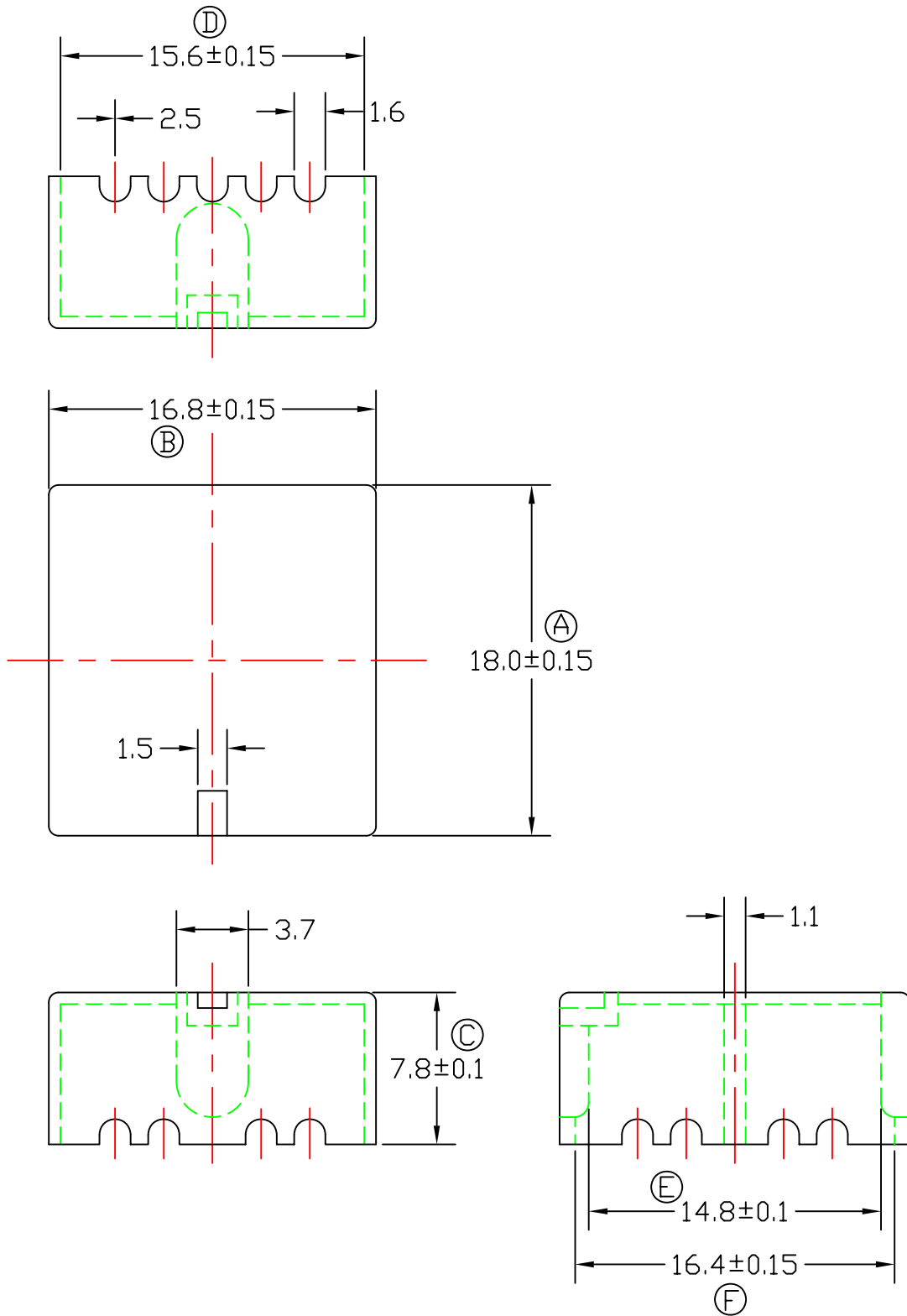
台速工業股份有限公司		FILE NAME	BM-015-1	
BOBBIN MASTER INDUSTRIAL CO;LTD.		MODEL NAME	EFD 15 (4 SECTION)	
TEL:(886 2) 2694-3199		MATERIAL	L.C.P.	
FAX:(886 2) 2694-0947		PIN MATERIAL	NICKEL BRONZE PHOSPHOR BRONZE	
REV	00	TOLERANCE	UL REC.	UNIT
		X. 0.15	UL 94V-0	m m
		X.X 0.1		



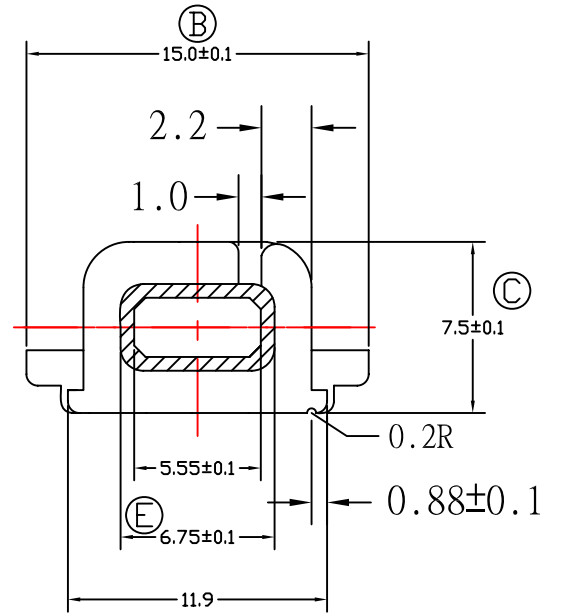
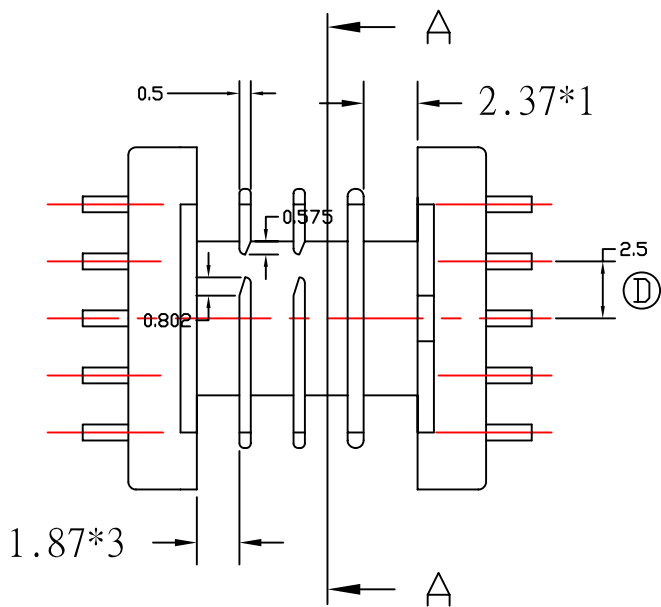
A-A SEC



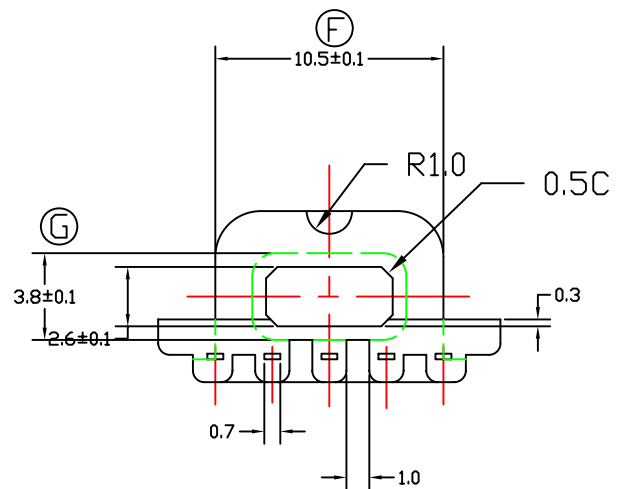
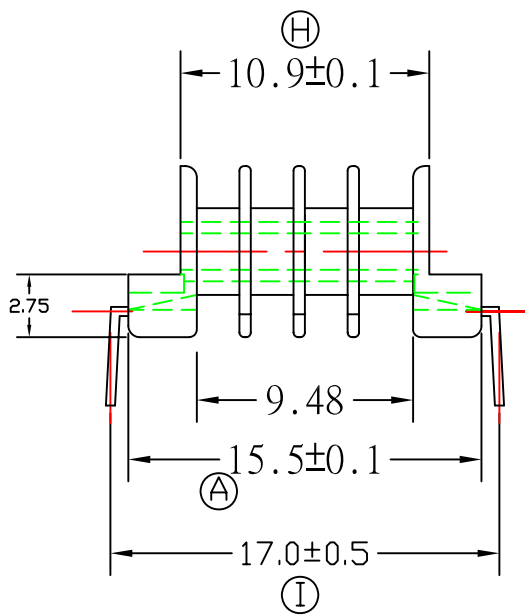
台速工業股份有限公司		FILE NAME	BM-016	
BOBBIN MASTER INDUSTRIAL CO;LTD.		MODEL NAME	EFD 15 (4 SECTION)	
TEL:(886 2) 2694-3199		MATERIAL	L.C.P.	
FAX:(886 2) 2694-0947		PIN MATERIAL	NICKEL BRONZE PHOSPHOR BRONZE	
REV	00	TOLERANCE	UL REC.	UNIT
		X. 0.15	UL 94V-0	m m
		X.X 0.1		



台速工業股份有限公司		FILE NAME		BM-016-1
BOBBIN MASTER INDUSTRIAL CO;LTD.		MODEL NAME		EFD15 COVER
TEL:(886 2) 2694-3199		MATERIAL		L C P
FAX:(886 2) 2694-0947		PIN MATERIAL		
REV		00	TOLERANCE	UL REC. UNIT
			X. 0.15	UL 94V-0 m m
			X.X 0.1	



A-A SEC



台速工業股份有限公司

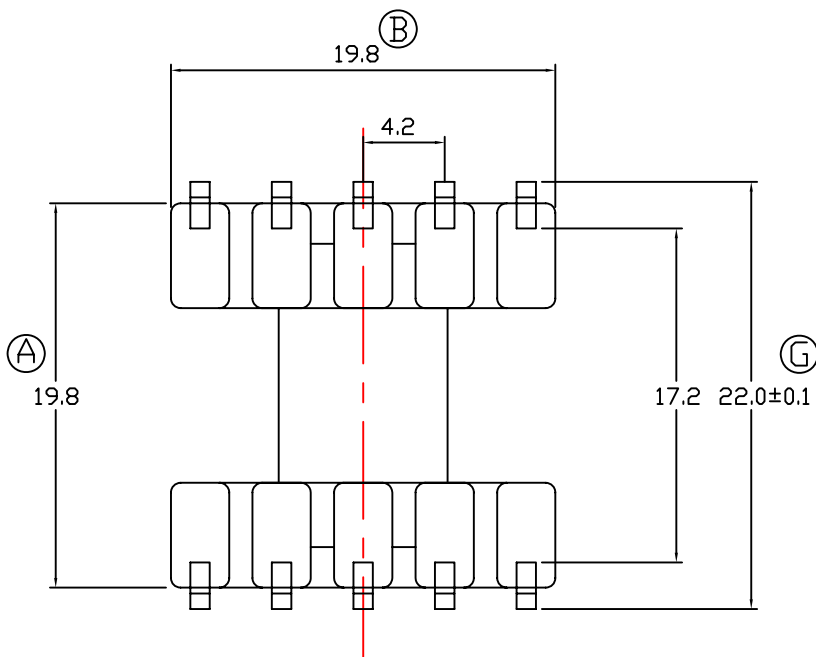
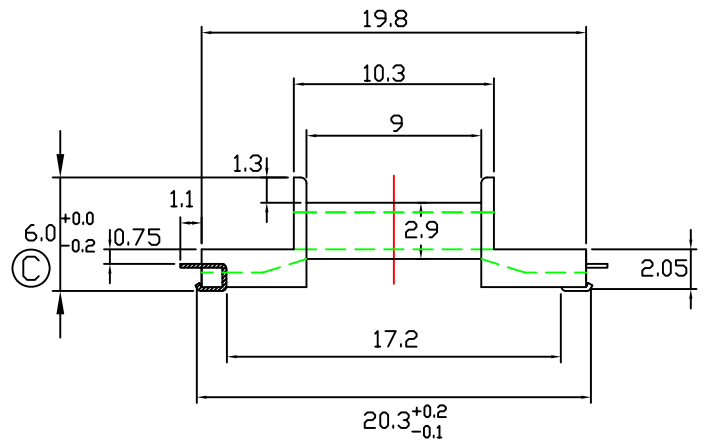
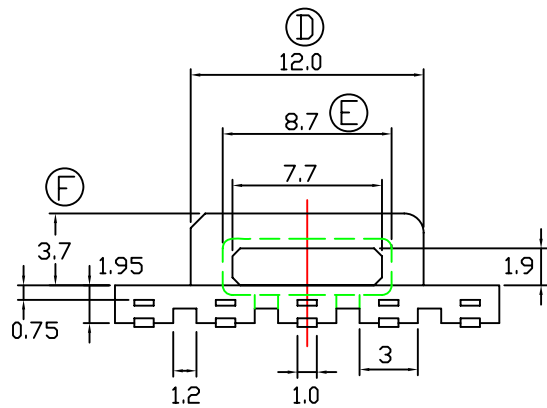
BOBBIN MASTER INDUSTRIAL CO;LTD.

TEL:(886 2) 2694-3199

FAX:(886 2) 2694-0947

REV 00

FILE NAME	BM-016-L	
MODEL NAME	EFD 15 BOBBIN	
MATERIAL	L C P	
PIN MATERIAL	NICKEL BRONZE PHOSPHOR BRONZE	
TOLERANCE	UL REC.	UNIT
±0.15	UL 94V-0	m m



台速工業股份有限公司

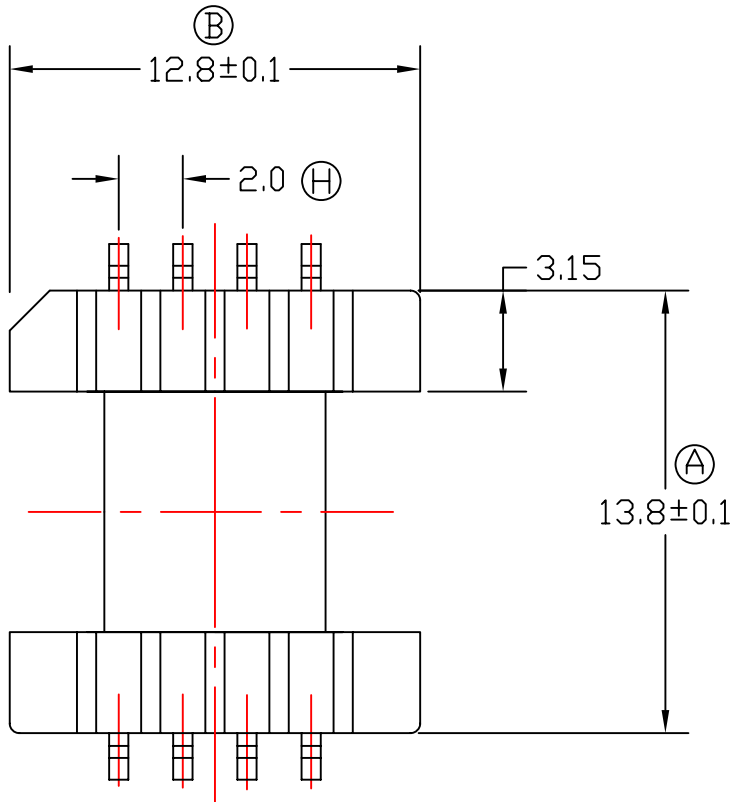
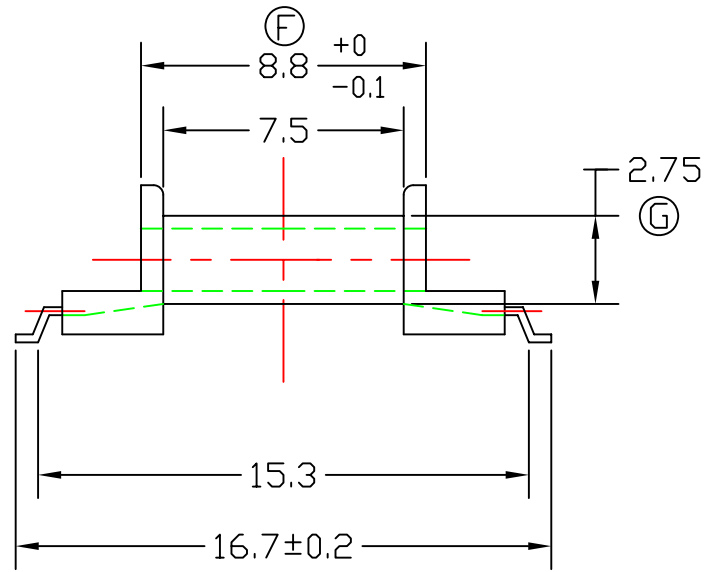
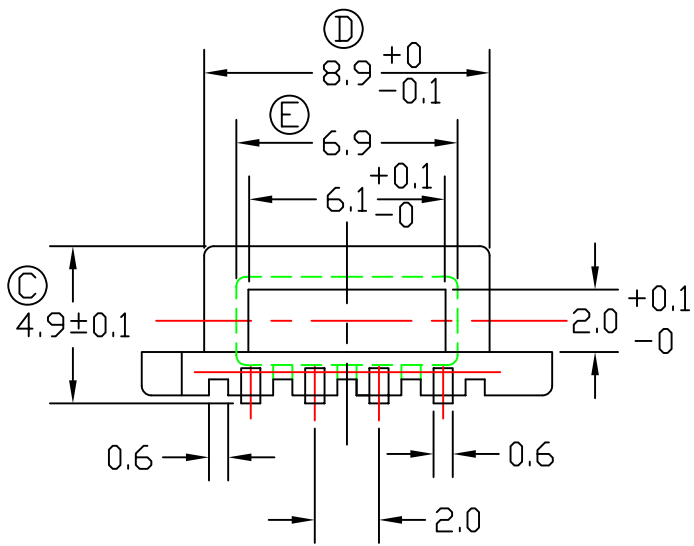
BOBBIN MASTER INDUSTRIAL CO;LTD.

TEL:(886 2) 2694-3199

FAX:(886 2) 2694-0947

REV 00

FILE NAME	BM-017	
MODEL NAME	FEY 17.5 BOBBIN	
MATERIAL	L.C.P.	
PIN MATERIAL	NICKEL BRONZE PHOSPHOR BRONZE	
TOLERANCE	UL REC.	UNIT
X. 0.15	UL 94V-0	m m
X.X 0.1		



台速工業股份有限公司

BOBBIN MASTER INDUSTRIAL CO;LTD.

TEL:(886 2) 2694-3199

FAX:(886 2) 2694-0947

REV 00

FILE NAME

BM-019

MODEL NAME

EM 12.7 BOBBIN

MATERIAL

L.C.P.

PIN MATERIAL

NICKEL BRONZE PHOSPHOR BRONZE

TOLERANCE

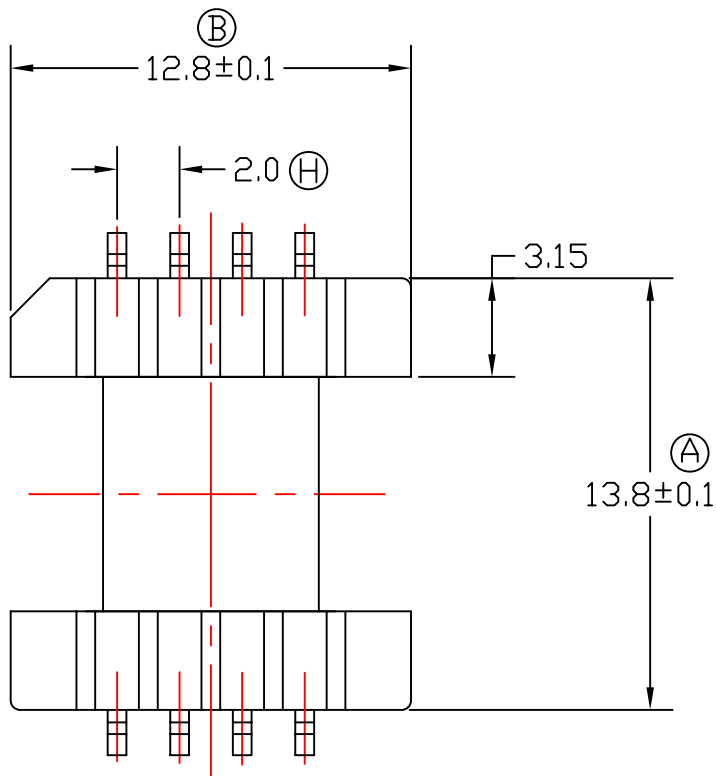
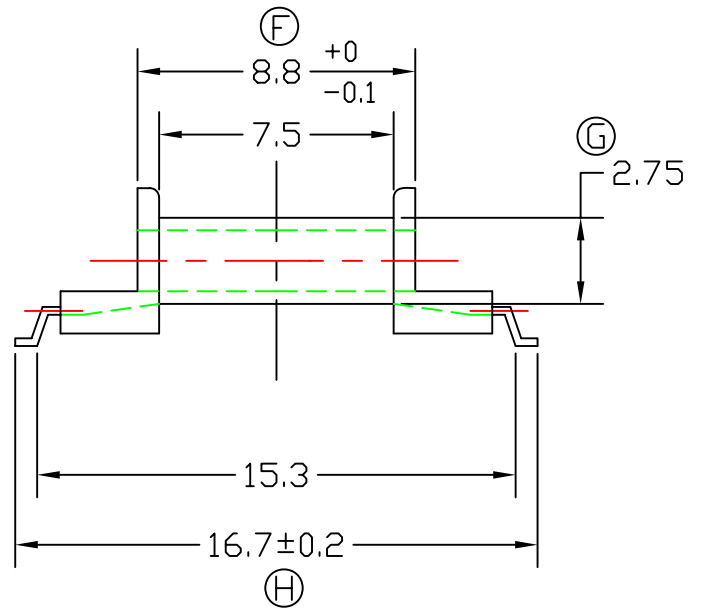
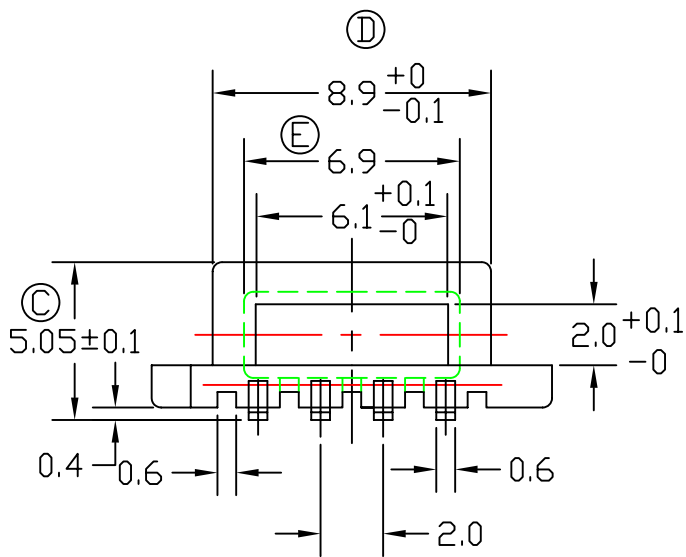
UL REC.

UNIT

X. 0.15
X.X 0.1

UL 94V-0

m m



台速工業股份有限公司

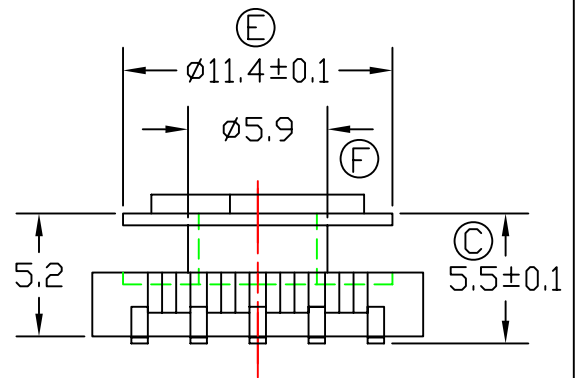
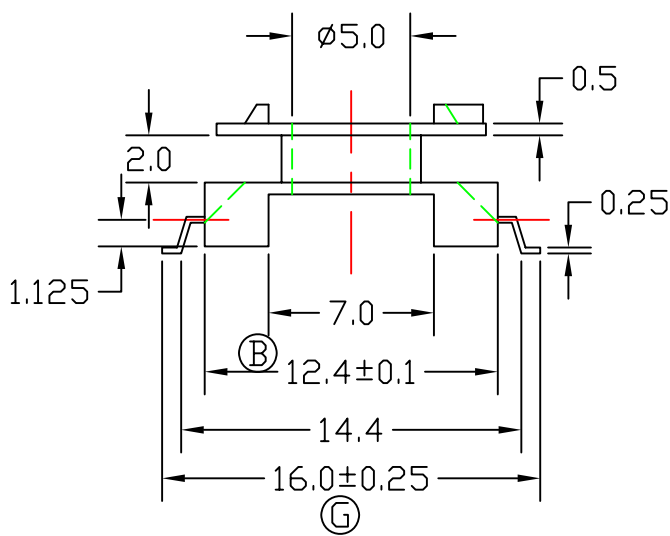
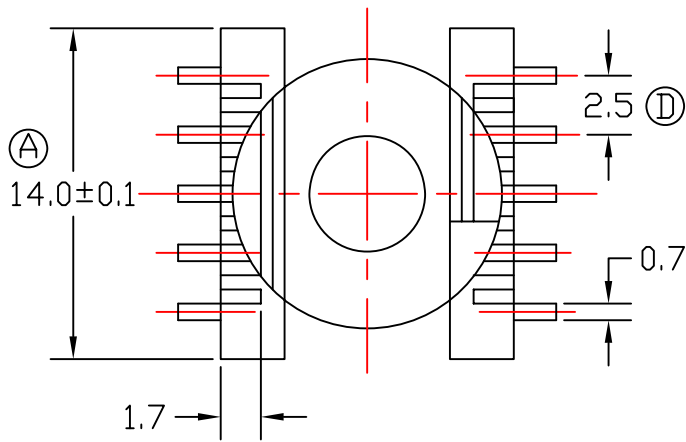
BOBBIN MASTER INDUSTRIAL CO;LTD.

TEL:(886 2) 2694-3199

FAX:(886 2) 2694-0947

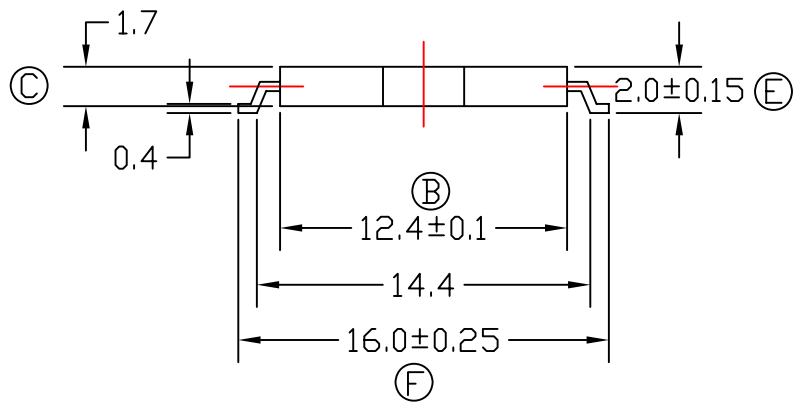
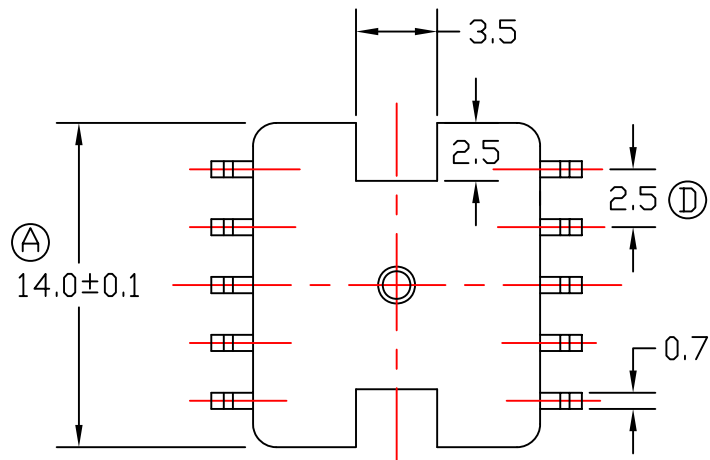
REV 00

FILE NAME	BM-019-1	
MODEL NAME	EM 12.7 BOBBIN	
MATERIAL	L.C.P.	
PIN MATERIAL	NICKEL BRONZE PHOSPHOR BRONZE	
TOLERANCE	UL REC.	UNIT
X. 0.15	UL 94V-0	m m
X.X 0.1		



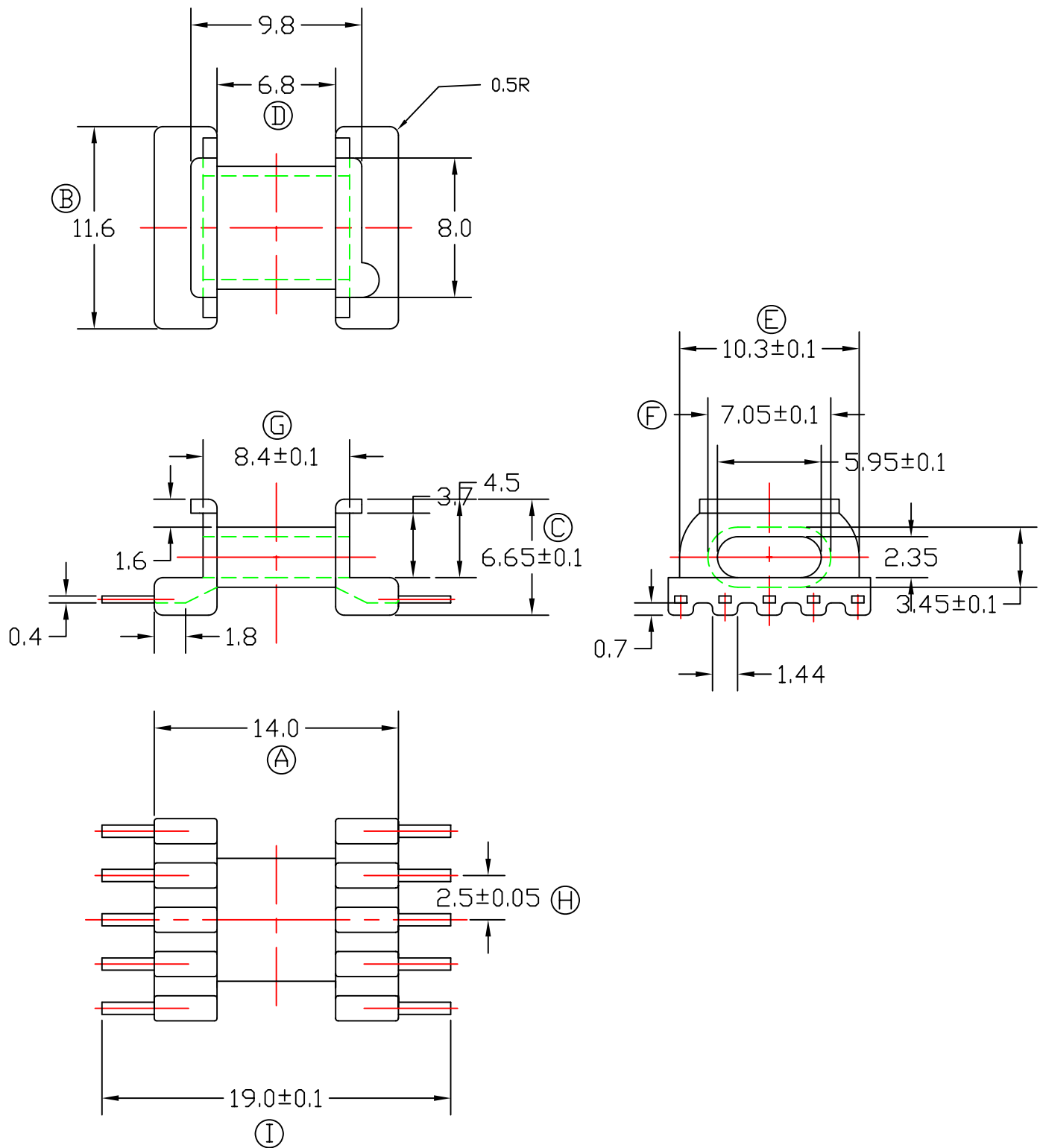
TERMIAL BORDER BARIER ALLOWANCE 0.03mm

台速工業股份有限公司				FILE NAME		BM-020	
BOBBIN MASTER INDUSTRIAL CO;LTD.				MODEL NAME		ER 14.5/6 BOBBIN	
TEL:(886 2) 2694-3199				MATERIAL		L.C.P.	
FAX:(886 2) 2694-0947				PIN MATERIAL		NICKEL BRONZE PHOSPHOR BRONZE	
REV		00		TOLERANCE		UL REC.	UNIT
				X.	0.15	UL 94V-0	m m
				X.X	0.1		

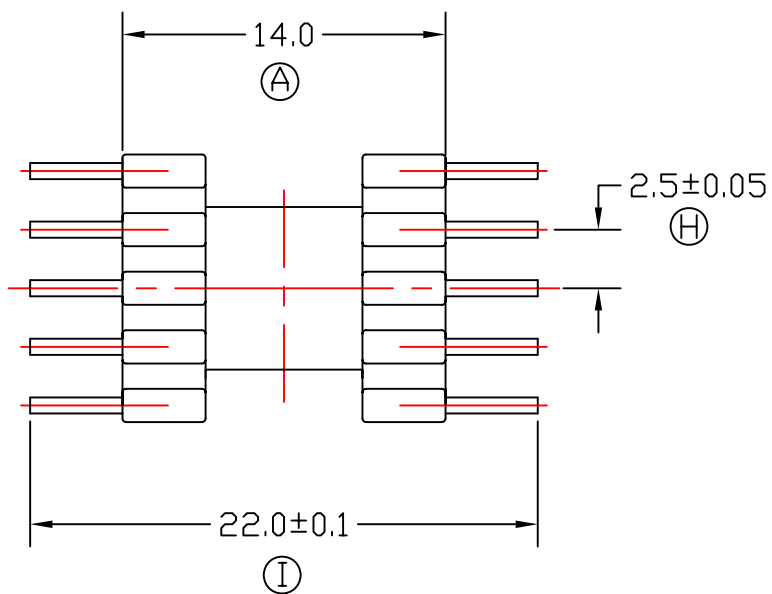
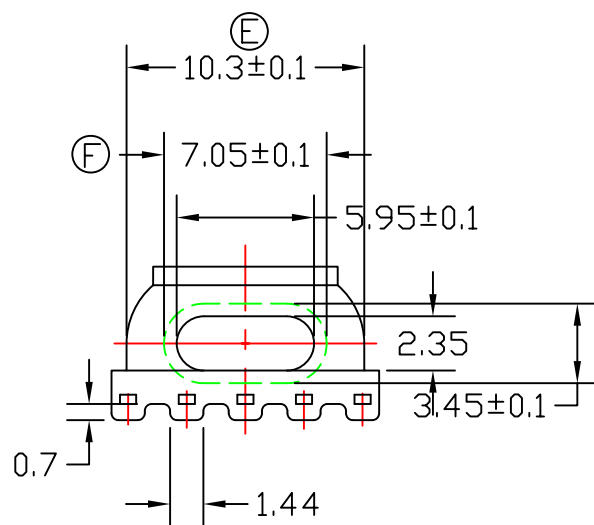
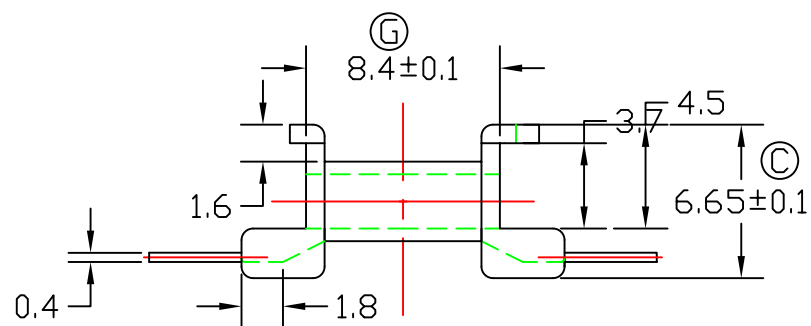
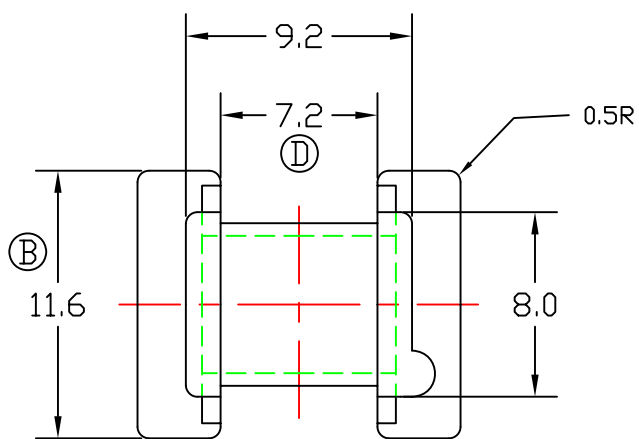


TERMIAL BORDER BARIER ALLOWANCE 0.03mm

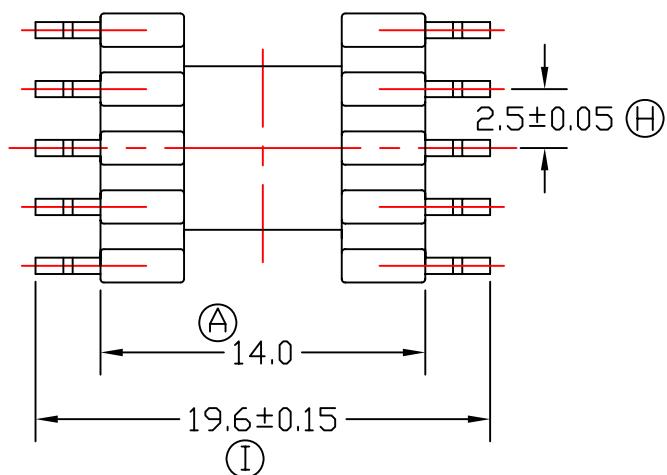
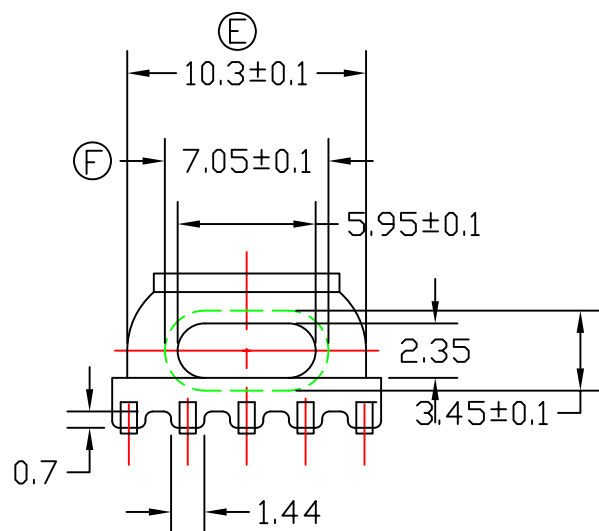
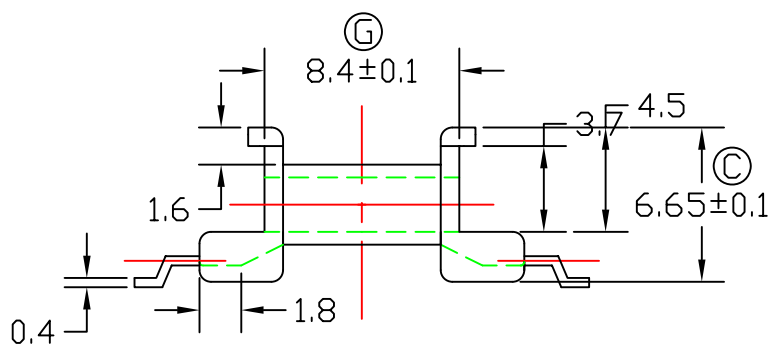
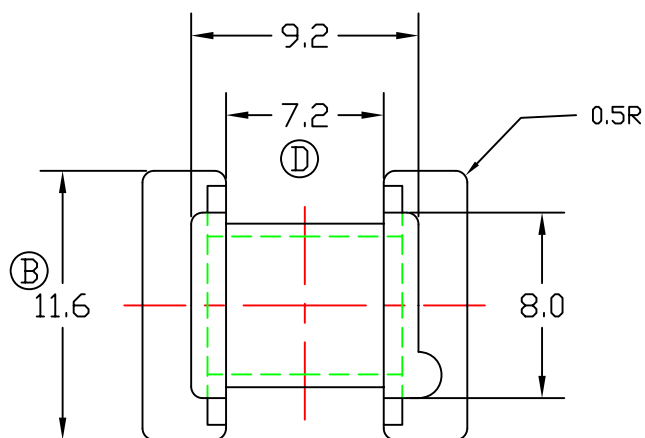
台速工業股份有限公司		FILE NAME	BM-020-1	
BOBBIN MASTER INDUSTRIAL CO;LTD.		MODEL NAME	10 PIN SMD BASE	
TEL:(886 2) 2694-3199		MATERIAL	L.C.P.	
FAX:(886 2) 2694-0947		PIN MATERIAL	NICKEL BRONZE PHOSPHOR BRONZE	
REV	00	TOLERACE	UL REC.	UNIT
		X. 0.15	UL 94V-0	m m
		X.X 0.1		



台速工業股份有限公司			FILE NAME	BM-021	
BOBBIN MASTER INDUSTRIAL CO;LTD.			MODEL NAME	EPC 13 (1 SECTION)	
TEL:(886 2) 2694-3199			MATERIAL	L.C.P.	
FAX:(886 2) 2694-0947			PIN MATERIAL	NICKEL BRONZE PHOSPHOR BRONZE	
REV	00		TOLERANCE	UL REC.	UNIT
			X. 0.15	UL 94V-0	m m
			X.X 0.1		



台速工業股份有限公司			FILE NAME	BM-022	
BOBBIN MASTER INDUSTRIAL CO;LTD.			MODEL NAME	EPC 13 (1 SECTION)	
TEL:(886 2) 2694-3199			MATERIAL	L.C.P.	
FAX:(886 2) 2694-0947			PIN MATERIAL	NICKEL BRONZE PHOSPHOR BRONZE	
REV	00		TOLERACE	UL REC.	UNIT
			X. 0.15	UL 94V-0	m m
			X.X 0.1		



台速工業股份有限公司

BOBBIN MASTER INDUSTRIAL CO;LTD.

TEL:(886 2) 2694-3199

FAX:(886 2) 2694-0947

REV 00

FILE NAME

BM-023

MODEL NAME

EPC 13 (1 SECTION)

MATERIAL

L.C.P.

PIN MATERIAL

NICKEL BRONZE PHOSPHOR BRONZE

TOLERANCE

UL REC.

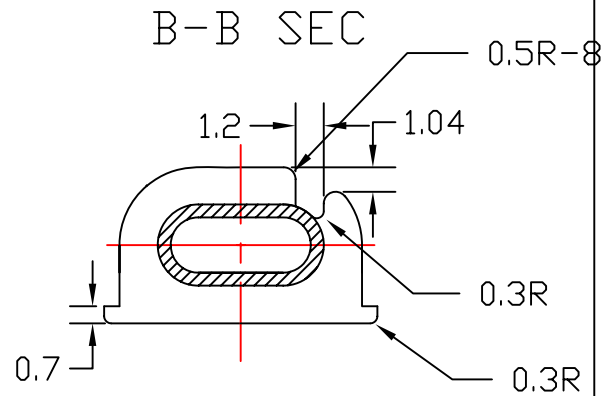
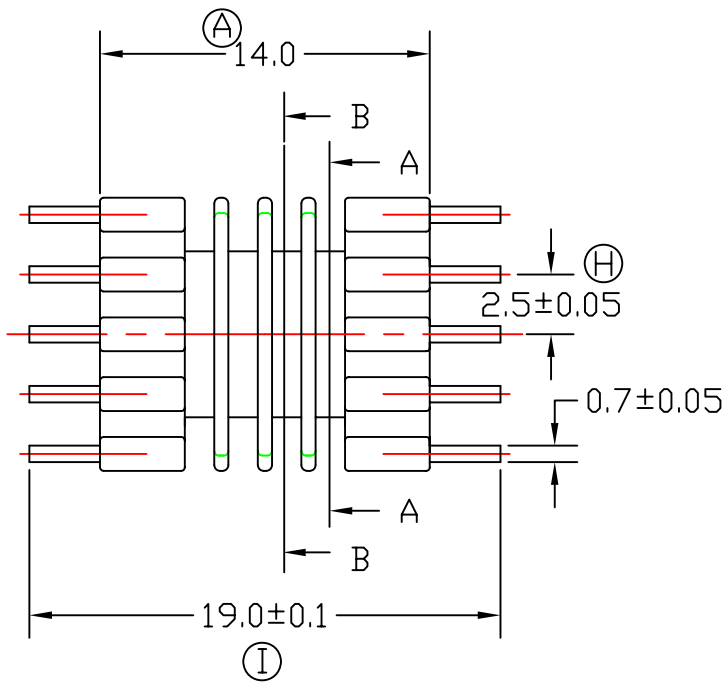
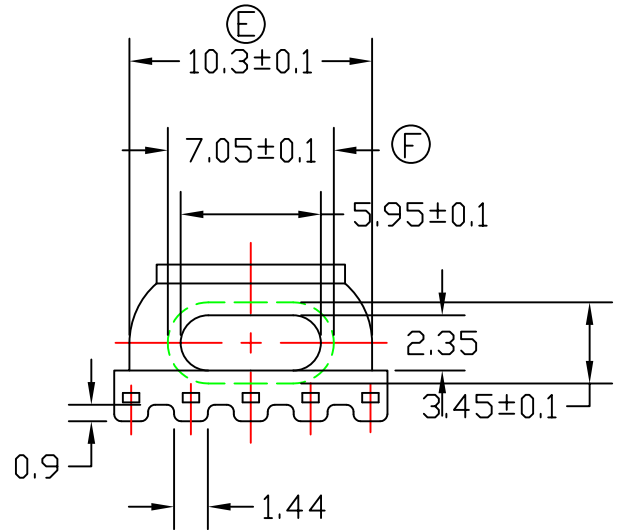
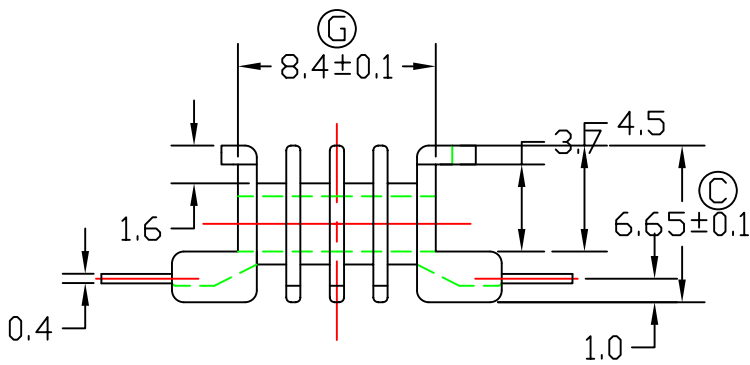
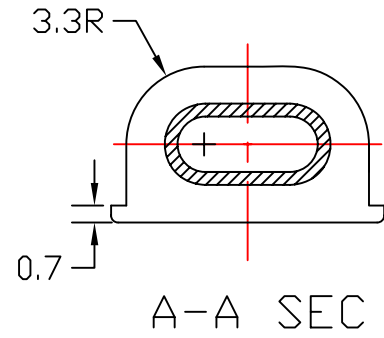
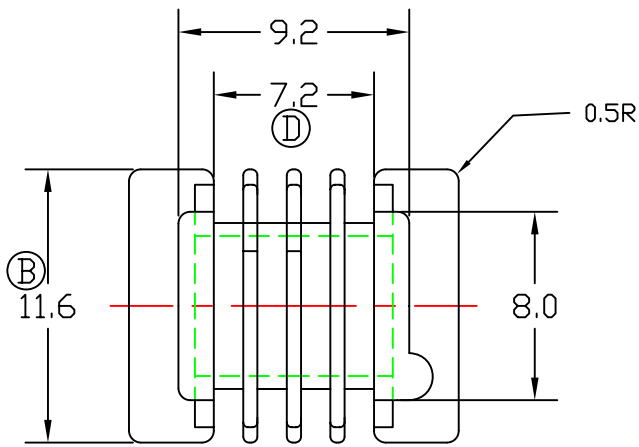
UNIT

X. 0.15

UL 94V-0

m m

X.X 0.1



台速工業股份有限公司

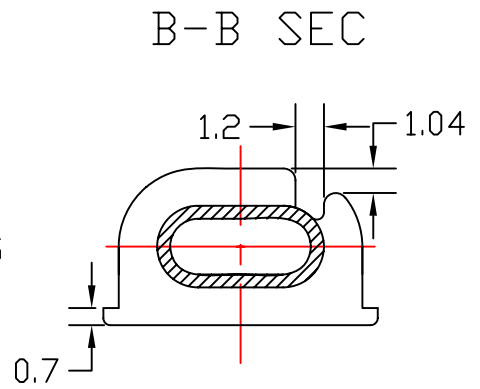
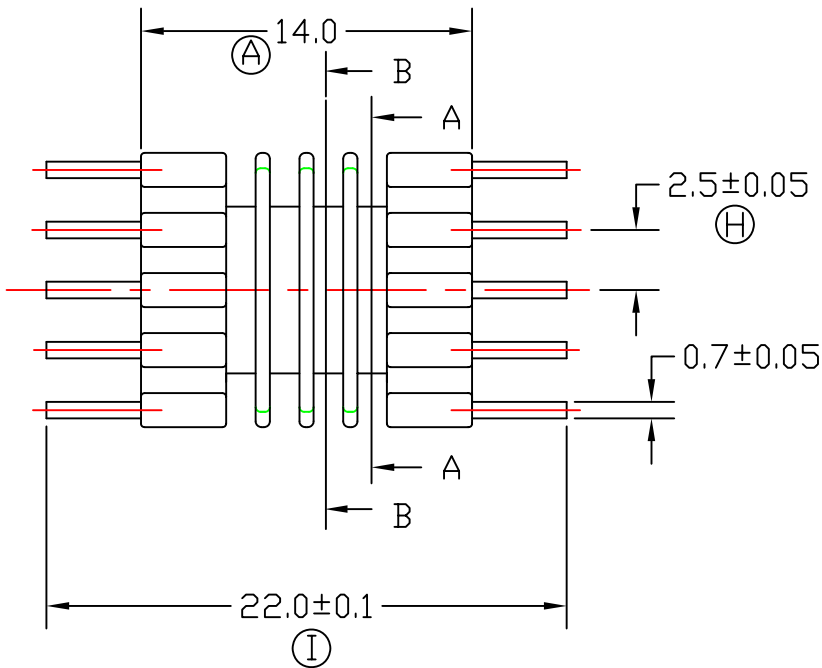
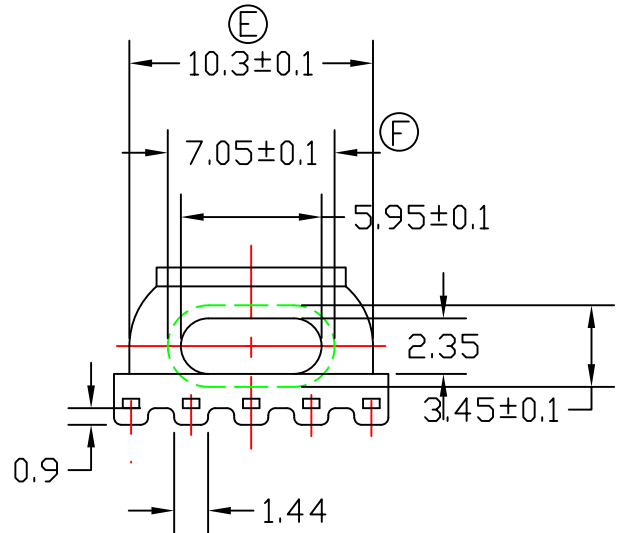
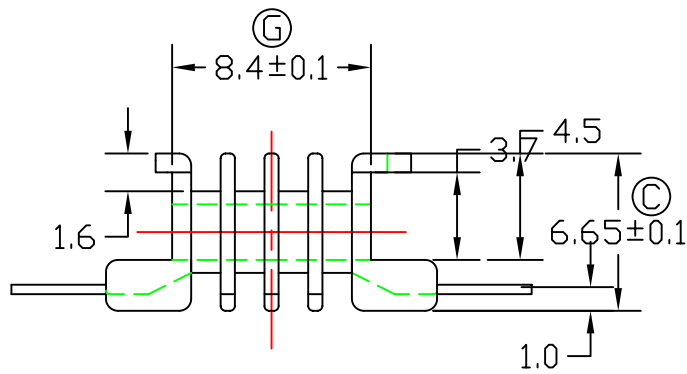
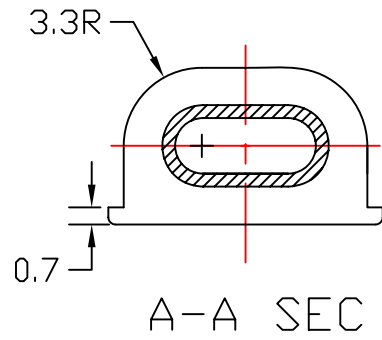
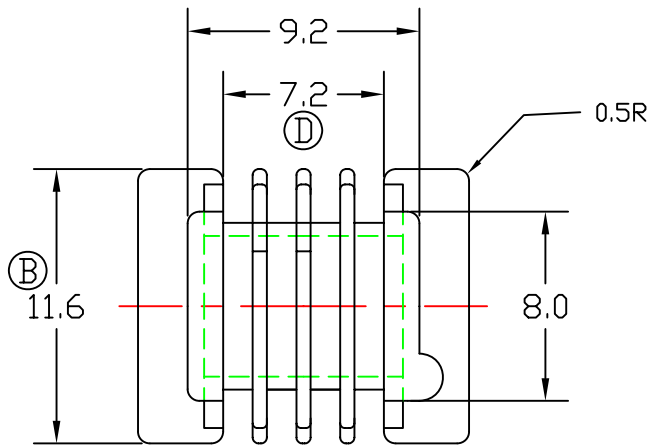
BOBBIN MASTER INDUSTRIAL CO;LTD.

TEL:(886 2) 2694-3199

FAX:(886 2) 2694-0947

REV 00

FILE NAME	BM-024		
MODEL NAME	EPC 13 (4 SECTION)		
MATERIAL	L.C.P.		
PIN MATERIAL	NICKEL BRONZE PHOSPHOR BRONZE		
TOLERANCE	UL REC.	UNIT	
X. 0.15	UL 94V-0	m m	
X.X 0.1			



台速工業股份有限公司

BOBBIN MASTER INDUSTRIAL CO;LTD.

TEL:(886 2) 2694-3199

FAX:(886 2) 2694-0947

REV 00

FILE NAME

BM-025

MODEL NAME

EPC 13 (4 SECTION)

MATERIAL

L.C.P.

PIN MATERIAL

NICKEL BRONZE PHOSPHOR BRONZE

TOLERANCE

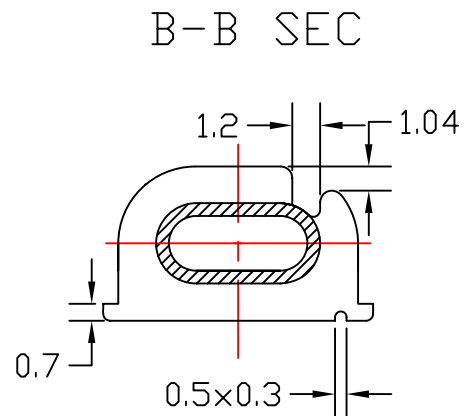
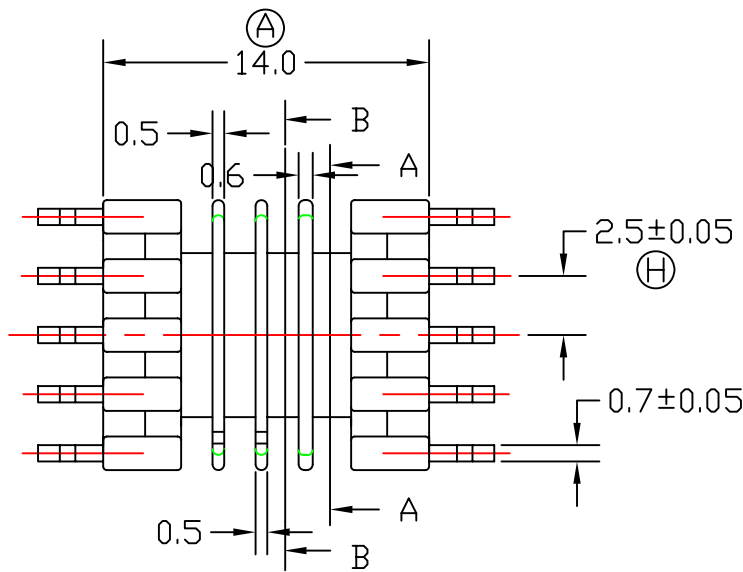
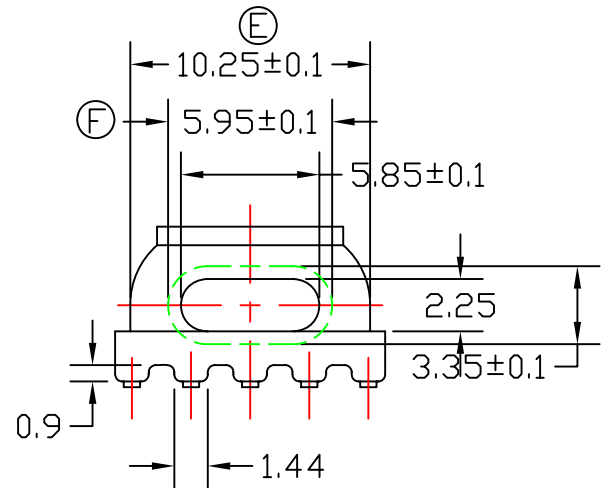
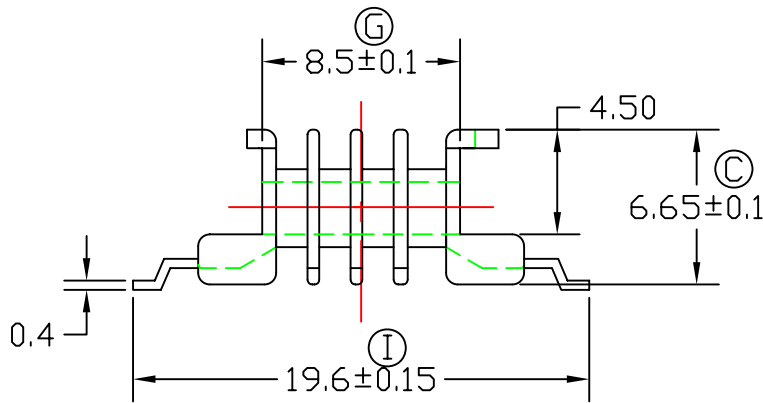
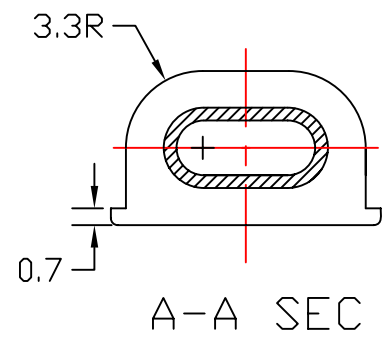
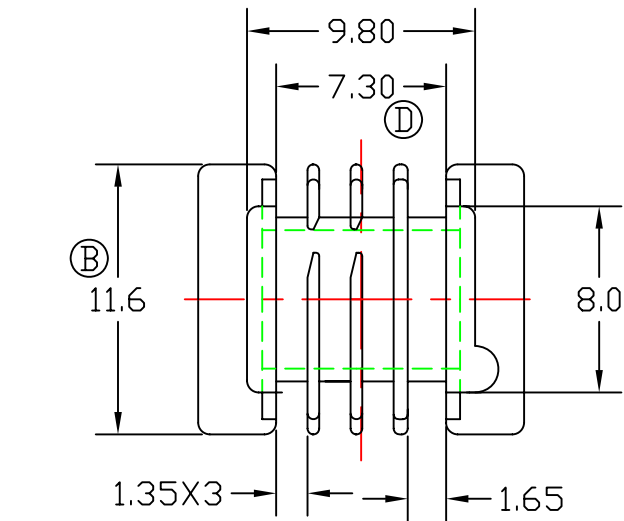
UL REC.

UNIT

X. 0.15
X.X 0.1

UL 94V-0

m m



台速工業股份有限公司

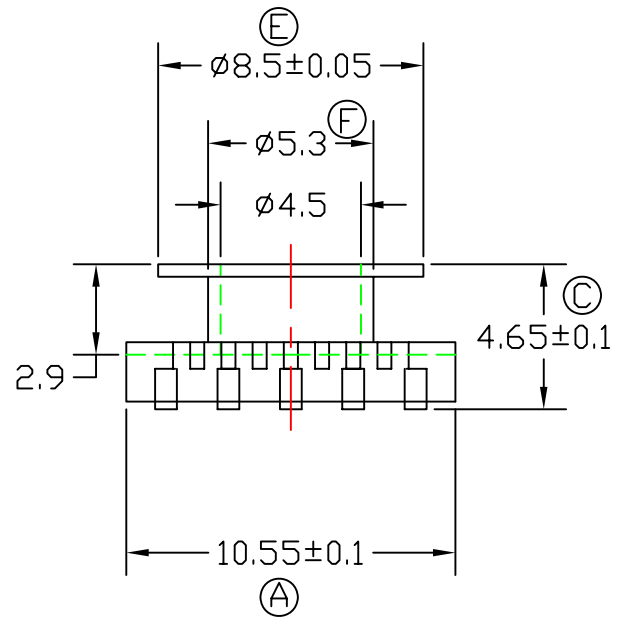
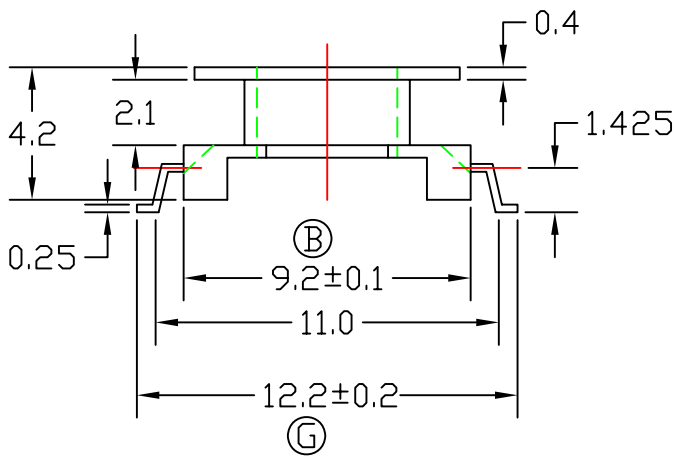
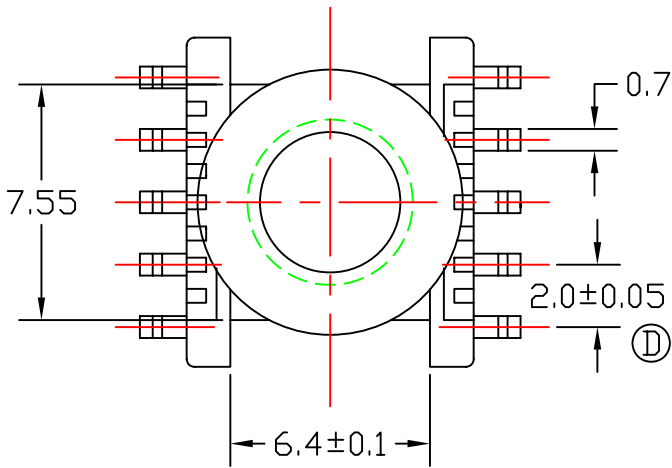
BOBBIN MASTER

TEL:(886 2) 2694-3199

FAX:(886 2) 2694-0947

REV

FILE NAME	BM-026		
MODEL NAME	EPC 13 (4 SECTION)		
MATERIAL	L.C.P.		
PIN MATERIAL	NICKEL BRONZE PHOSPHOR BRONZE		
TOLERANCE	UL REC.	UNIT	
X.	0.15	UL 94V-0	m m
X.X	0.1		



台速工業股份有限公司

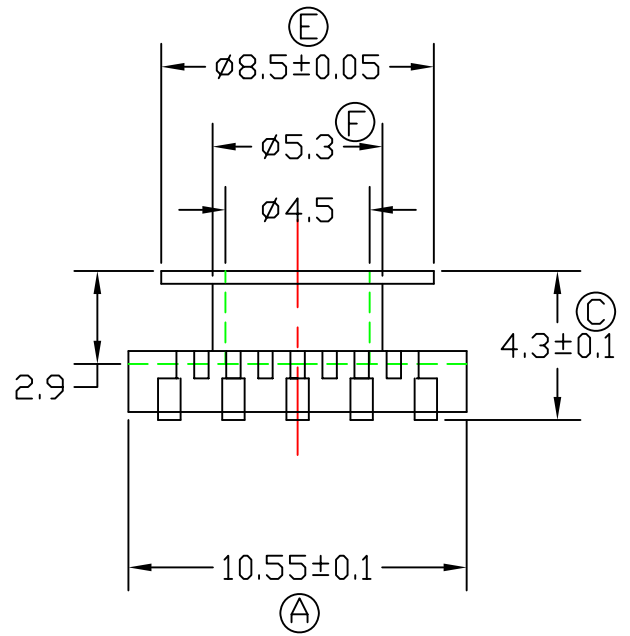
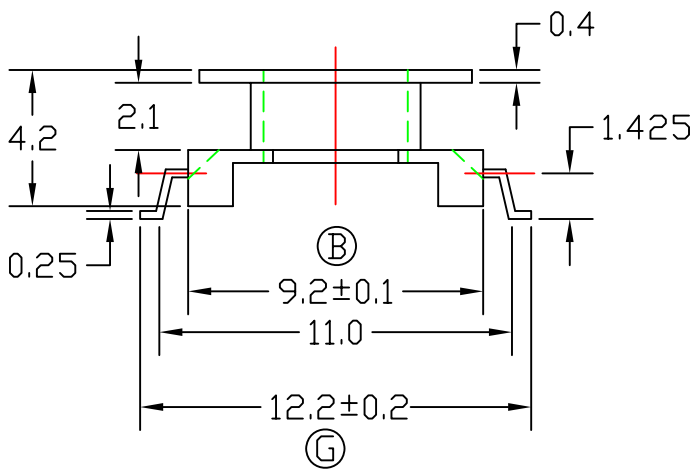
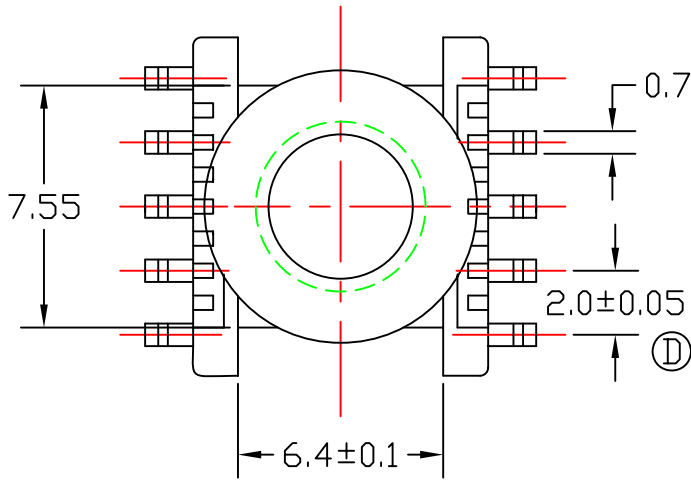
BOBBIN MASTER INDUSTRIAL CO;LTD.

TEL:(886 2) 2694-3199

FAX:(886 2) 2694-0947

REV 00

FILE NAME	BM-027	
MODEL NAME	ER 11/5 BOBBIN	
MATERIAL	L.C.P.	
PIN MATERIAL	NICKEL BRONZE PHOSPHOR BRONZE	
TOLERANCE	UL REC.	UNIT
X. 0.15	UL 94V-0	m m
X.X 0.1		



台速工業股份有限公司

BOBBIN MASTER INDUSTRIAL CO;LTD.

TEL:(886 2) 2694-3199

FAX:(886 2) 2694-0947

REV 00

FILE NAME

BM-027-1

MODEL NAME

ER 11/5 BOBBIN

MATERIAL

L.C.P.

PIN MATERIAL

NICKEL BRONZE PHOSPHOR BRONZE

TOLERANCE

UL REC.

UNIT

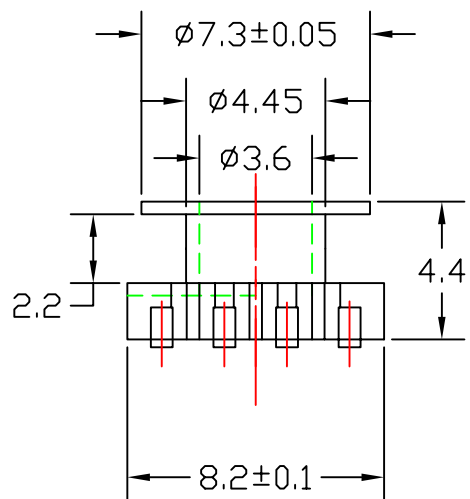
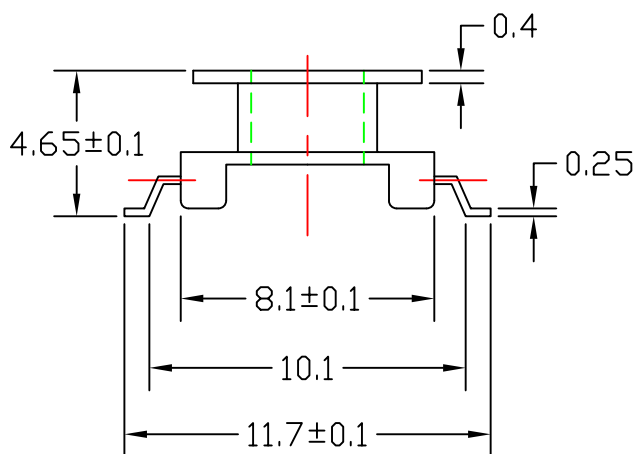
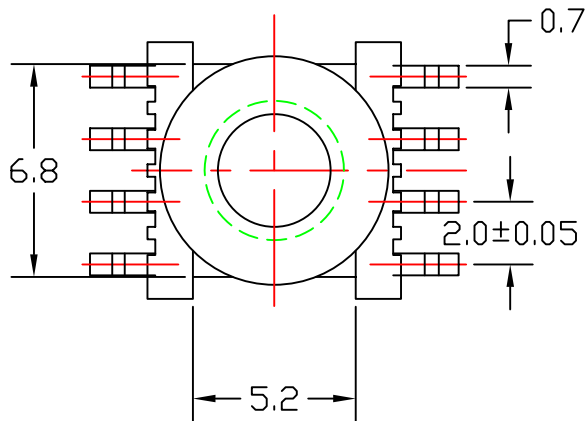
X. 0.15

UL 94V-0

m m

X.X 0.1

PREPARE DEVELOPMENT



台速工業股份有限公司

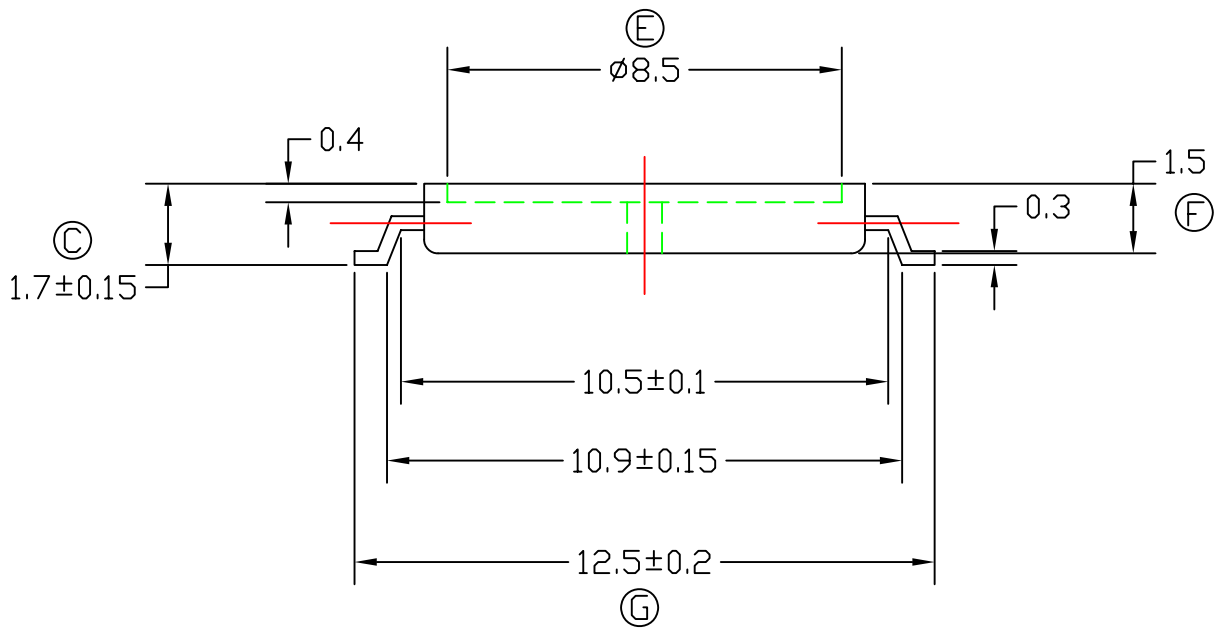
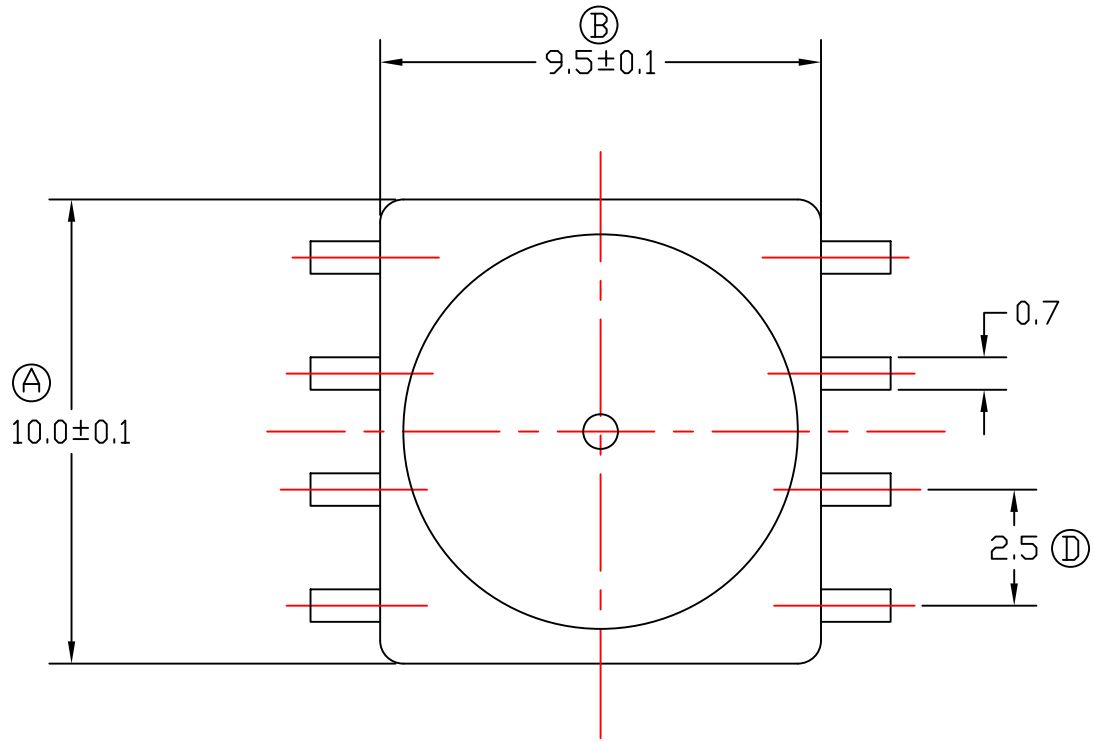
BOBBIN MASTER INDUSTRIAL CO;LTD.

TEL:(886 2) 2694-3199

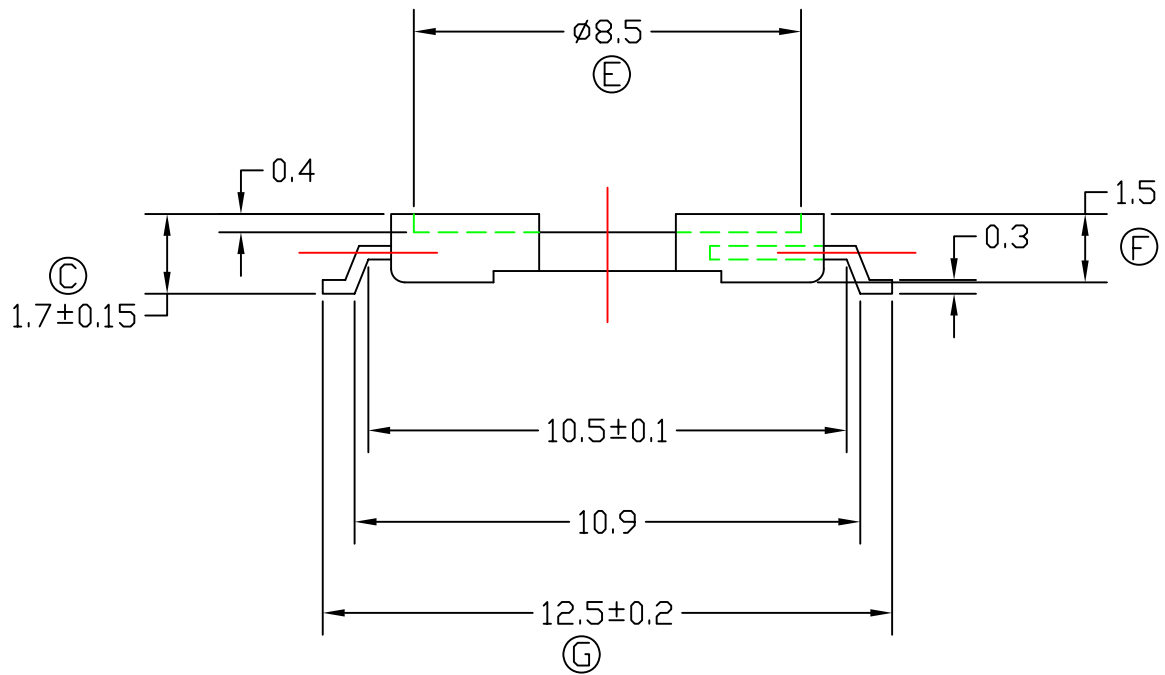
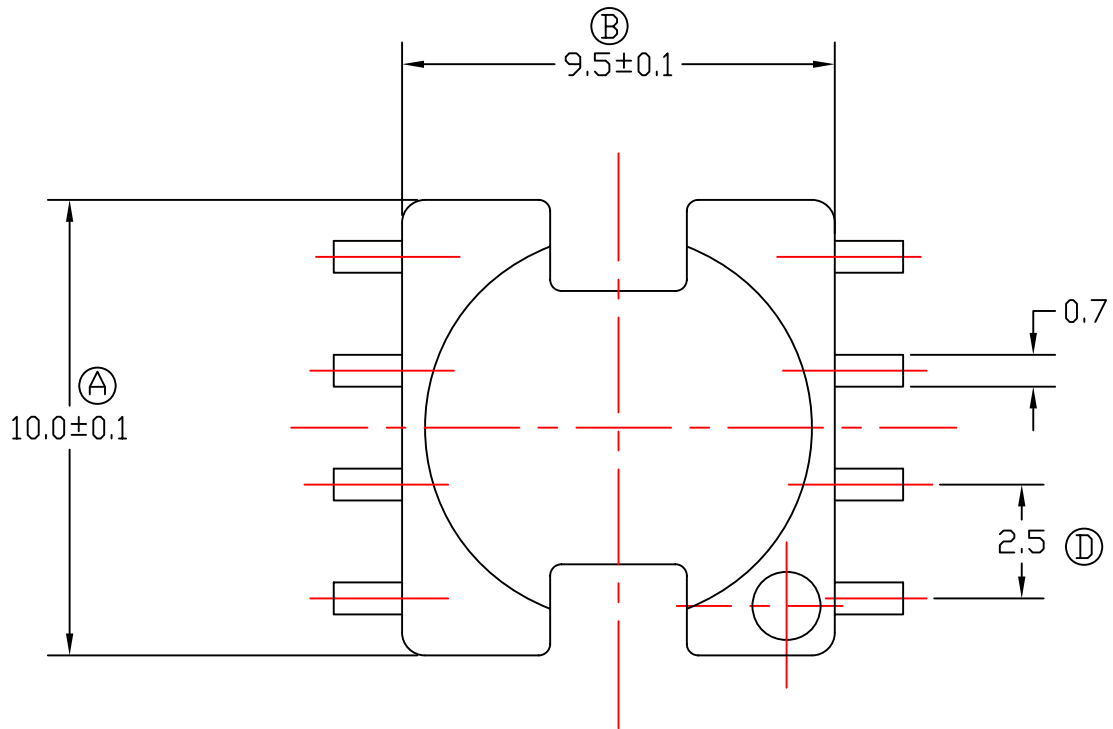
FAX:(886 2) 2694-0947

REV 00

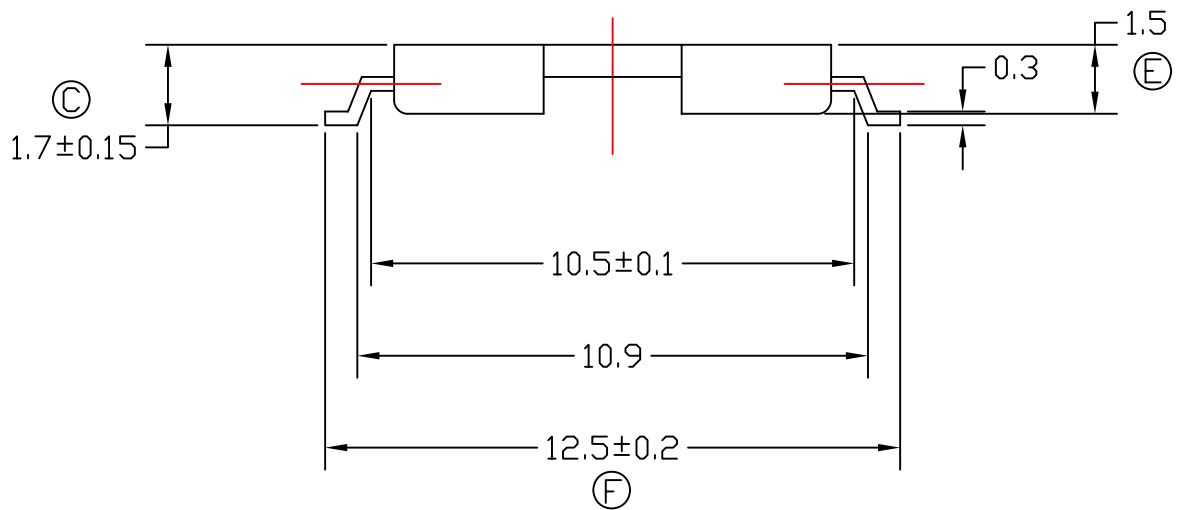
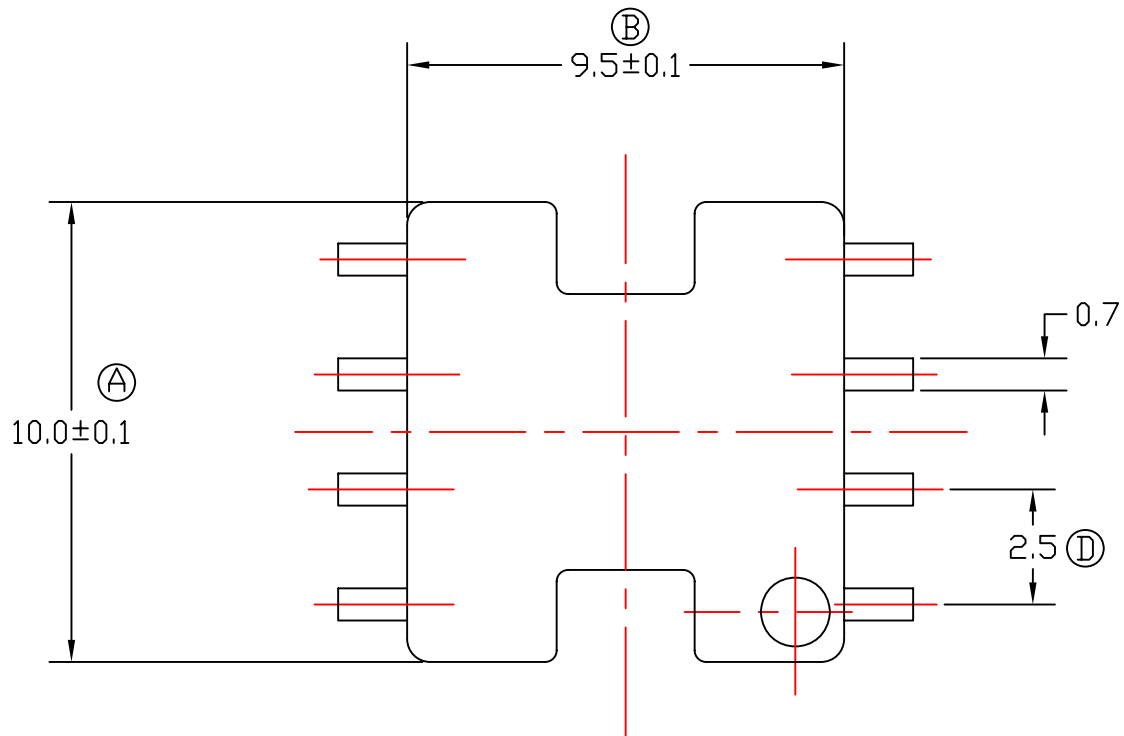
FILE NAME	BM-028	
MODEL NAME	ER 9.5/5 BOBBIN	
MATERIAL	L.C.P.	
PIN MATERIAL	NICKEL BRONZE PHOSPHOR BRONZE	
TOLERANCE	UL REC.	UNIT
X.	0.15	UL 94V-0
X.X	0.1	
		m m



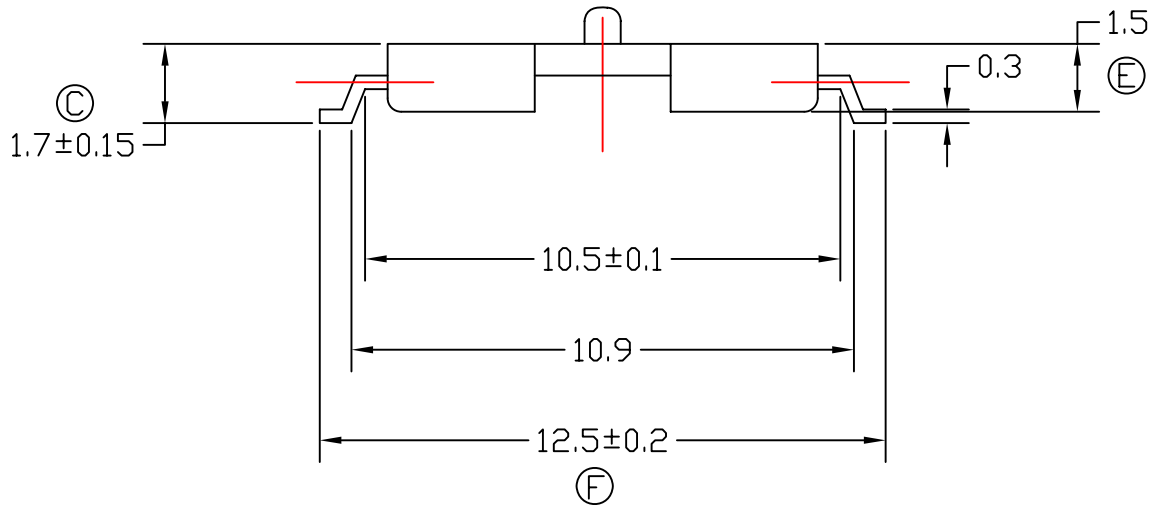
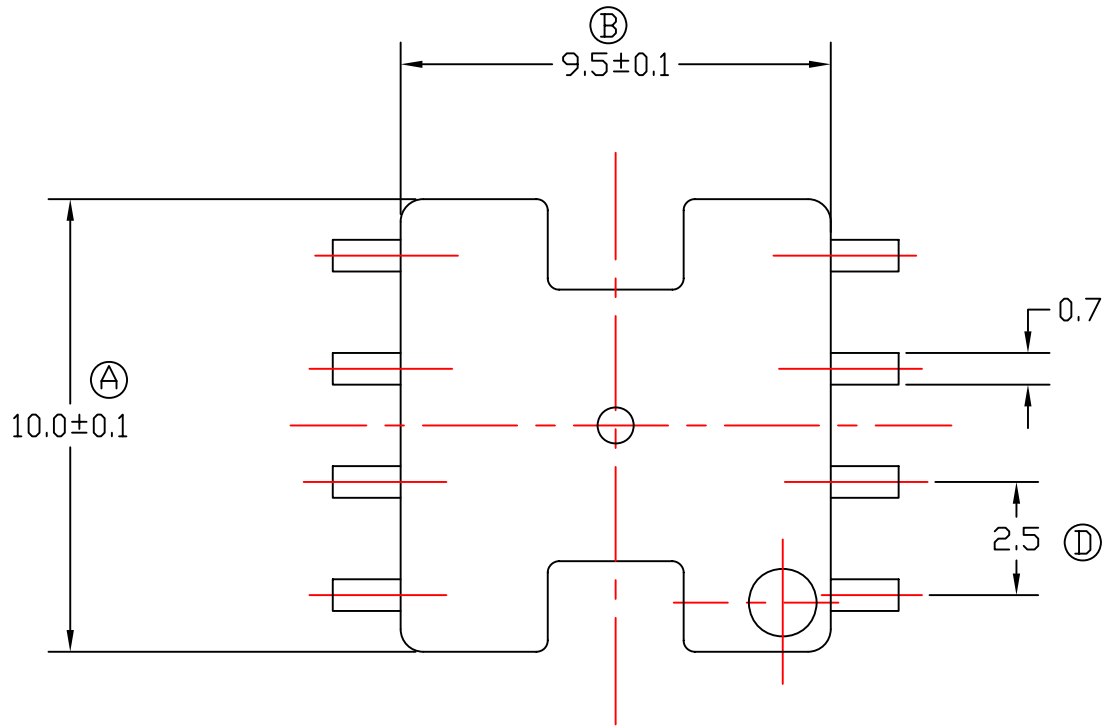
台速工業股份有限公司		FILE NAME	BM-029	
BOBBIN MASTER INDUSTRIAL CO;LTD.		MODEL NAME	8 PIN BASE	
TEL:(886 2) 2694-319		MATERIAL	L.C.P.	
FAX:(886 2) 2694-0947		PIN MATERIAL	NICKEL BRONZE PHOSPHOR BRONZE	
REV	00	TOLERANCE	UL REC.	UNIT
		X. 0.15	UL 94V-0	m m
		X.X 0.1		



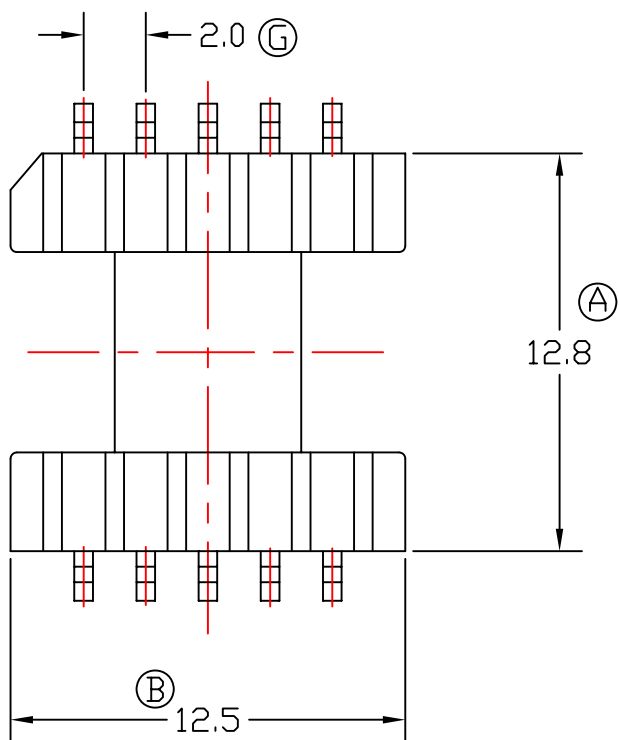
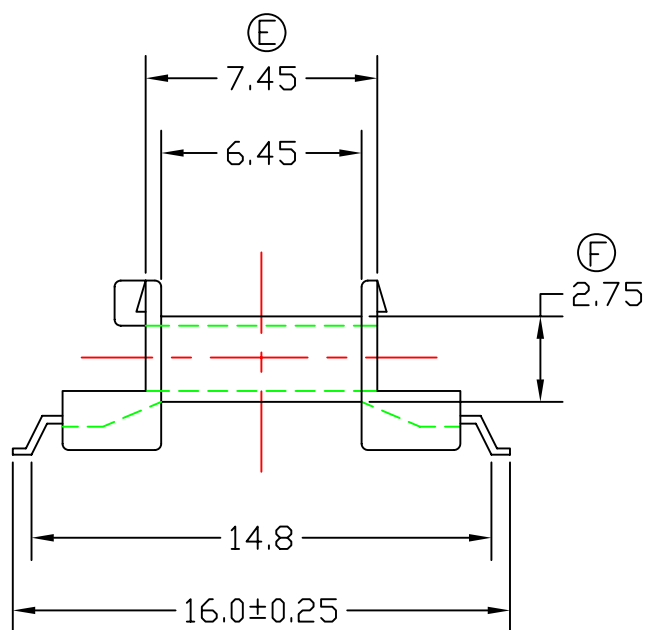
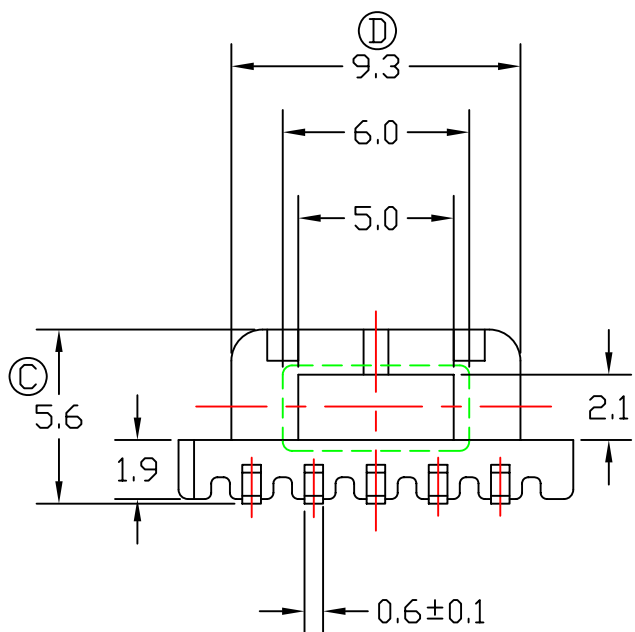
台速工業股份有限公司		FILE NAME	BM-029-1	
BOBBIN MASTER INDUSTRIAL CO;LTD.		MODEL NAME	8 PIN BASE	
TEL:(886 2) 2694-3199		MATERIAL	L.C.P.	
FAX:(886 2) 2694-0947		PIN MATERIAL	NICKEL BRONZE PHOSPHOR BRONZE	
REV	00	TOLERANCE	UL REC.	UNIT
		X. 0.15	UL 94V-0	m m
		X.X 0.1		



台速工業股份有限公司		FILE NAME	BM-029-2	
BOBBIN MASTER INDUSTRIAL CO;LTD.		MODEL NAME	8 PIN BASE	
TEL:(886 2) 2694-3199		MATERIAL	L.C.P.	
FAX:(886 2) 2694-0947		PIN MATERIAL	NICKEL BRONZE PHOSPHOR BRONZE	
REV	00	TOLERANCE	UL REC.	UNIT
		X. 0.15	UL 94V-0	m m
		X.X 0.1		



台速工業股份有限公司		FILE NAME	BM-029-3	
BOBBIN MASTER INDUSTRIAL CO;LTD.		MODEL NAME	8 PIN BASE	
TEL:(886 2) 2694-3199		MATERIAL	L.C.P.	
FAX:(886 2) 2694-0947		PIN MATERIAL	NICKEL BRONZE PHOSPHOR BRONZE	
REV		TOLERANCE	UL REC.	UNIT
00		X. 0.15 X.X 0.1	UL 94V-0	m m



台速工業股份有限公司

BOBBIN MASTER INDUSTRIAL CO;LTD.

TEL:(886 2) 2694-3199

FAX:(886 2) 2694-0947

REV 00

FILE NAME

BM-030

MODEL NAME

EE 16 SMD BOBBIN

MATERIAL

L.C.P

PIN MATERIAL

NICKEL BRONZE PHOSPHOR BRONZE

TOLERANCE

UL REC.

UNIT

X. 0.15

UL 94V-0

m m

X.X 0.1