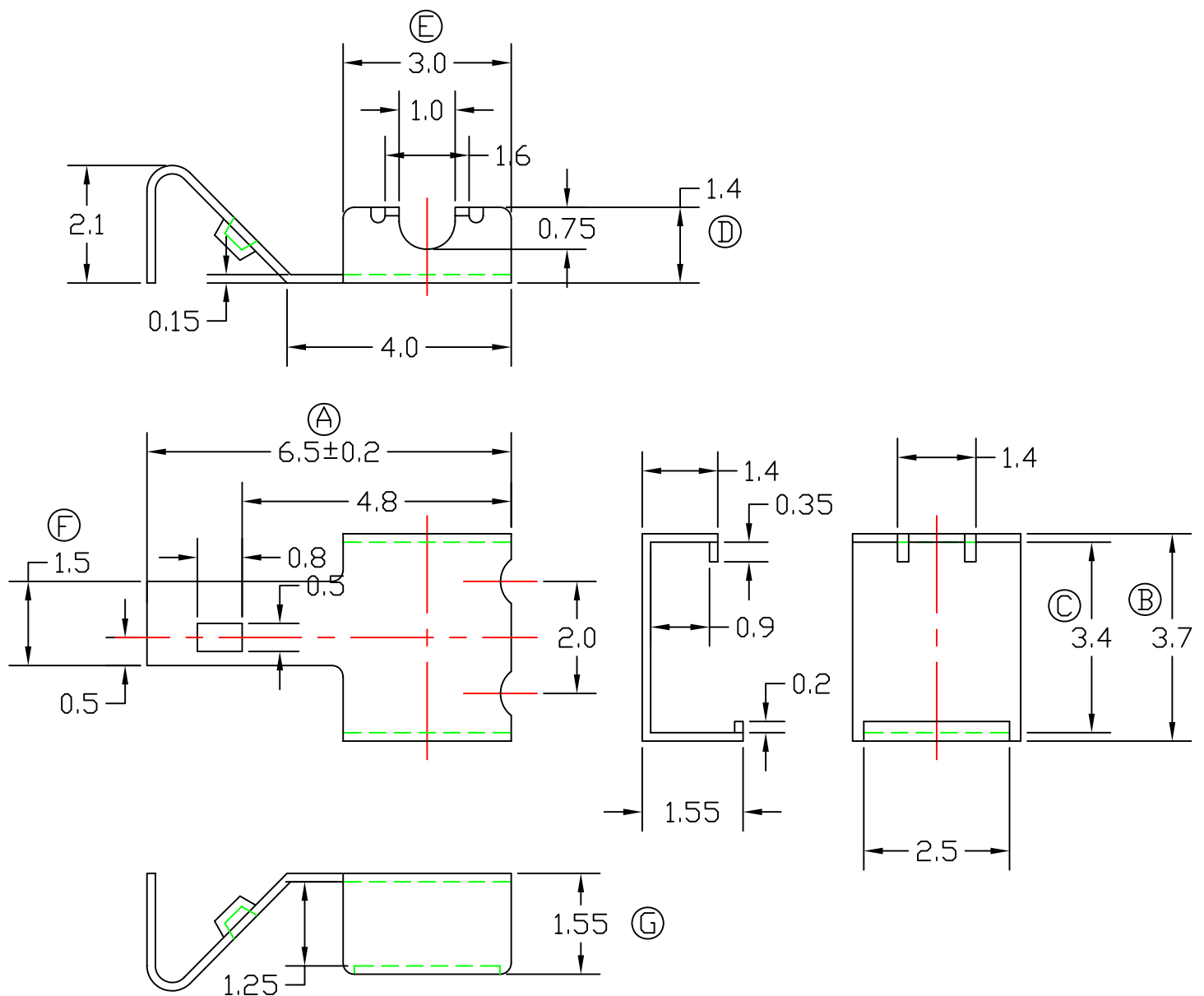
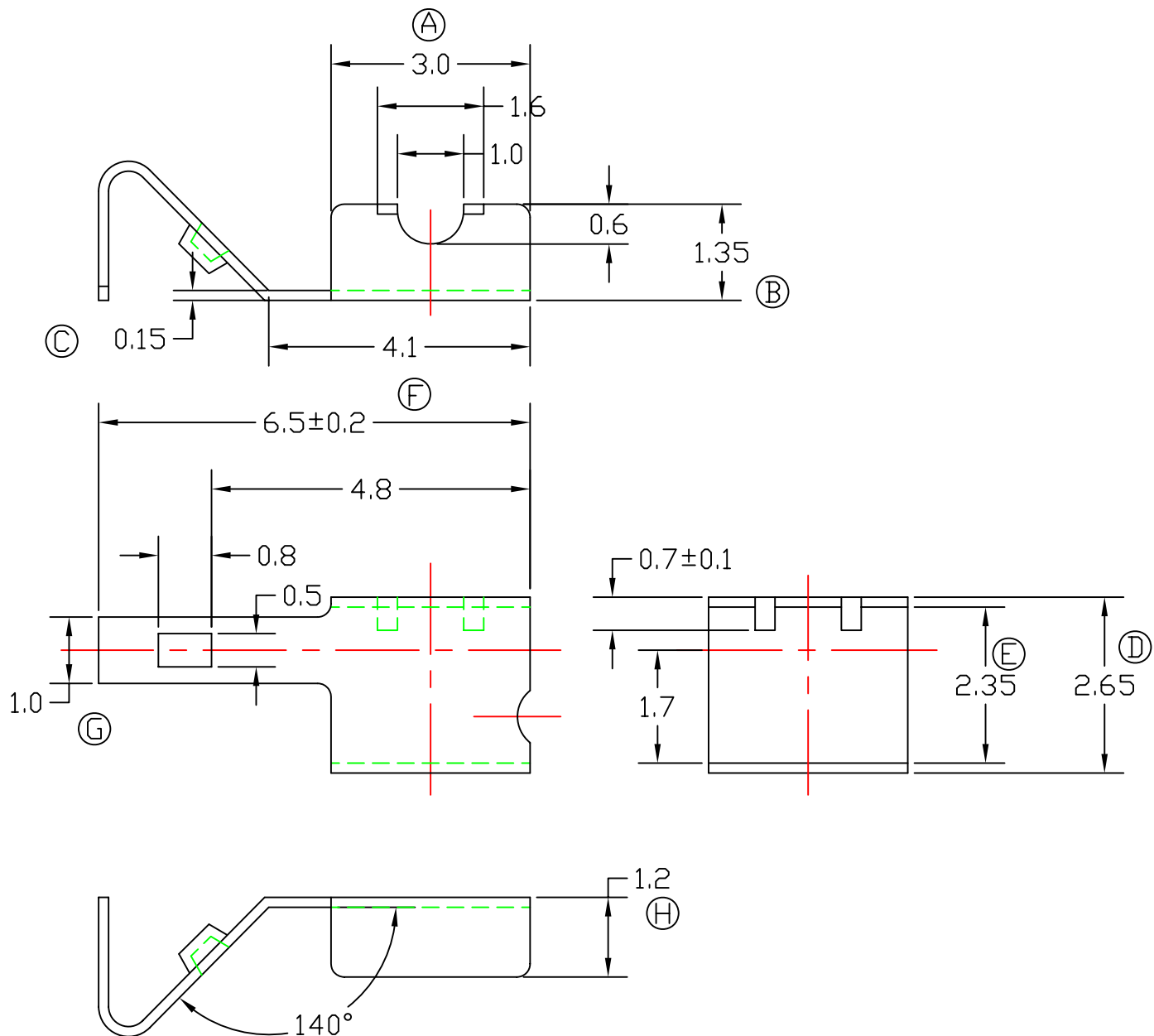


台速工業股份有限公司	FILE NAME	BM-085	
BOBBIN MASTER INDUSTRIAL CO;LTD.	MODEL NAME		
TEL: (886 2) 26943199	MATERIAL	PM9630	
FAX: (886 2) 26940947	PIN MATERIAL		
REV 00	TOLERANCE	UL REC.	UNIT
	X. 0.15	UL 94V-0	m m
	X.X 0.1		



1.MATERIAL: 0.15mm COPPER

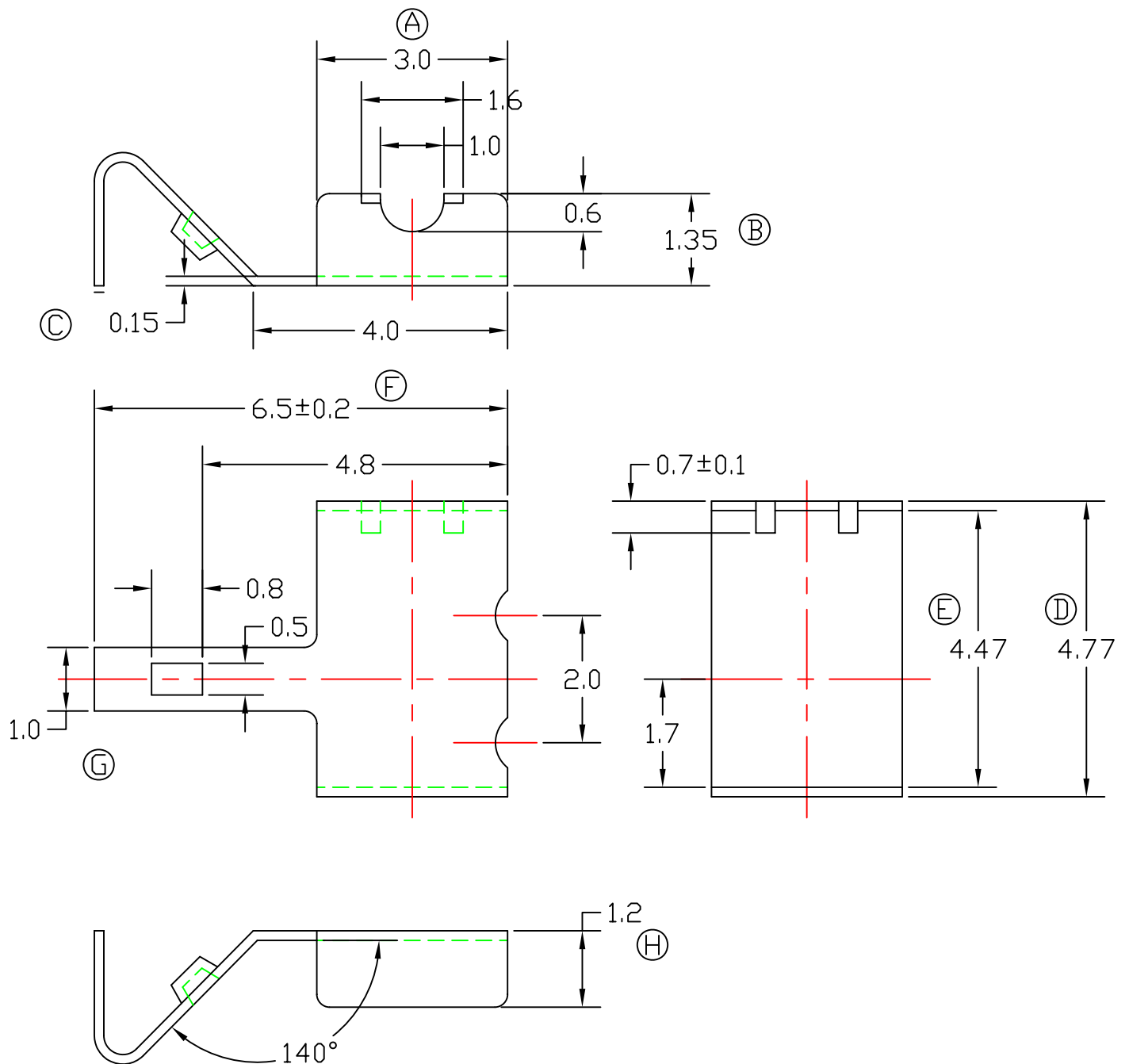
台速工業股份有限公司		FILE NAME	BM-086	
BOBBIN MASTER INDUSTRIAL CO;LTD.		MODEL NAME		
TEL:(886 2) 2694-3199		MATERIAL		
FAX:(886 2) 2694-0947		PIN MATERIAL	PHOSPHOR BRONZE	
REV	00	TOLERANCE	UL REC.	UNIT
		X. 0.15 X.X 0.1	UL 94V-0	m m



1.MATERIAL: 0.15mm COPPER

2.PLANT: UNDERPLANTING NICKEL 30-50
MICRONS PLANTING UP 120 MICRONS TIN

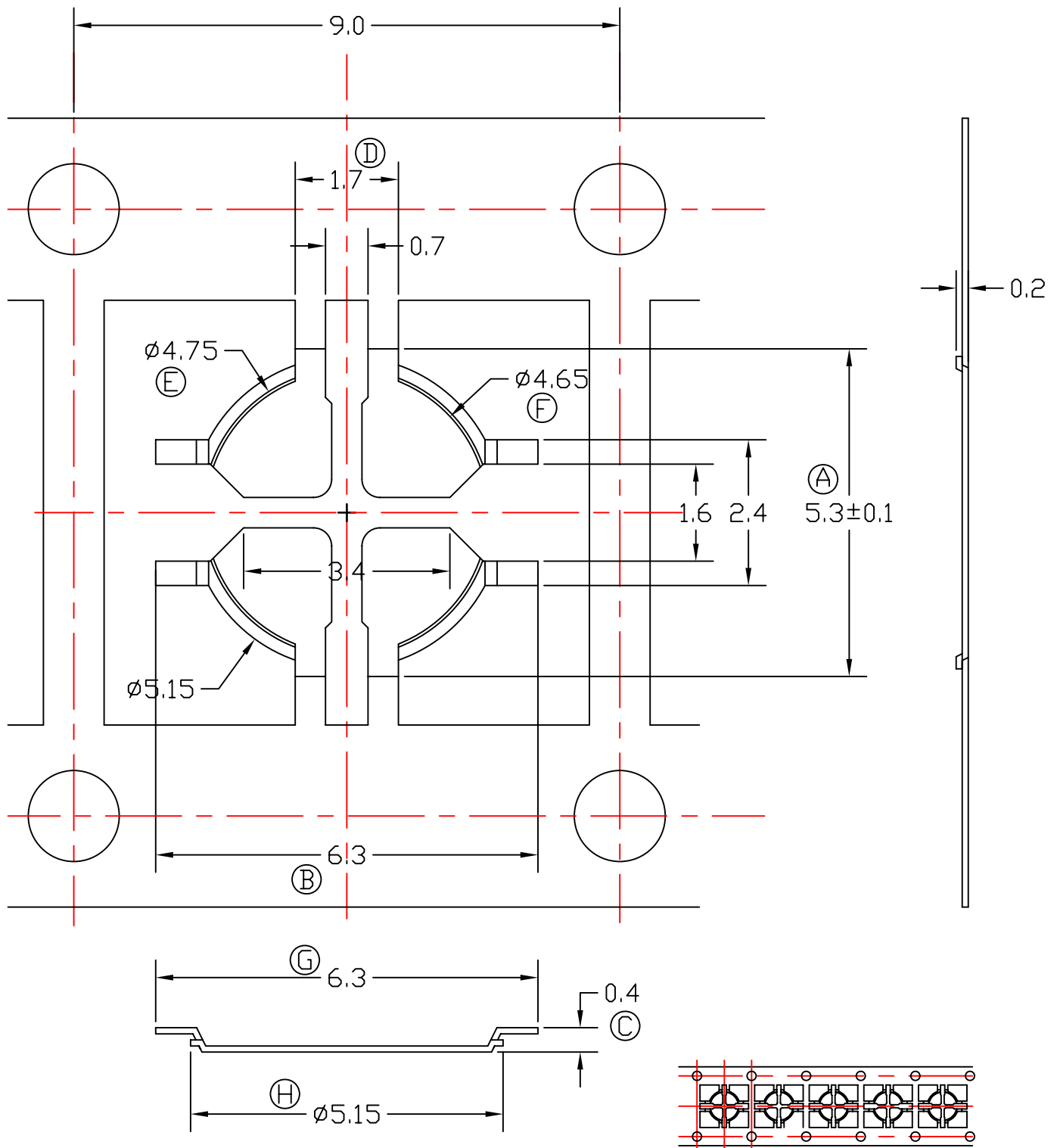
台速工業股份有限公司		FILE NAME	BM-086-1	
BOBBIN MASTER INDUSTRIAL CO;LTD.		MODEL NAME	CDRH103R	
TEL:(886 2) 2694-3199		MATERIAL		
FAX:(886 2) 2694-0947		PIN MATERIAL	紅銅 (H)	
REV 00		TOLERANCE	UL REC.	UNIT
		X. 0.15	UL 94V-0	m m
		X.X 0.1		



1.MATERIAL: 0.15mm COPPER

2.PLANT: UNDERPLANTING NICKEL 30-50
MICRONS PLANTING UP 120 MICRONS TIN

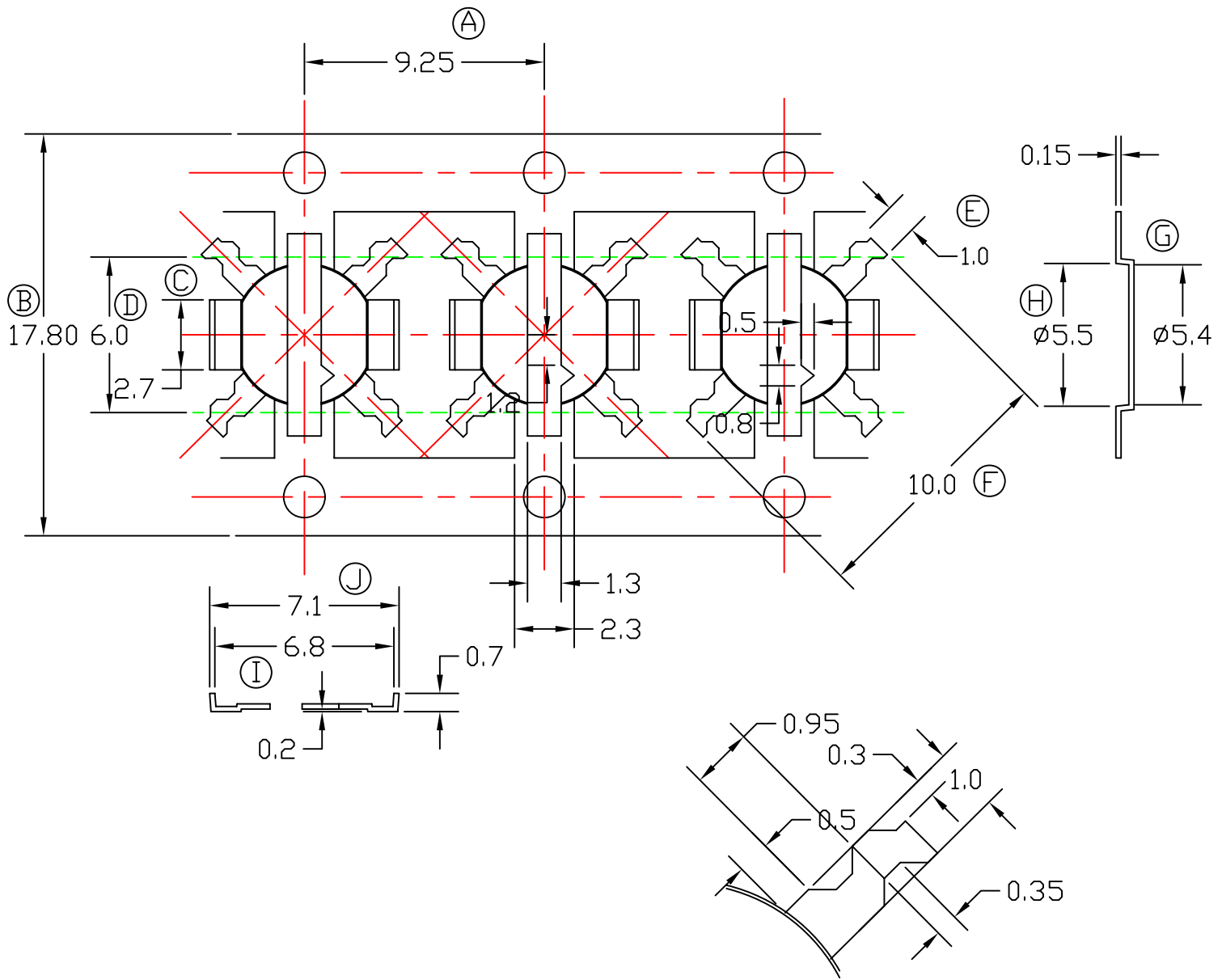
台速工業股份有限公司		FILE NAME	BM-086-2	
BOBBIN MASTER INDUSTRIAL CO;LTD.		MODEL NAME	CDRH105R	
TEL:(886 2) 2694-3199		MATERIAL		
FAX:(886 2) 2694-0947		PIN MATERIAL	紅銅 (H)	
REV 00		TOLERANCE	UL REC.	UNIT
		X. 0.15 X.X 0.1	UL 94V-0	m m



1.MATERIAL: 0.1 mm THICKNESS PHOSPHOR

2.UNDERPLATING 50 MICRONS NICKEL PLATING 2 MICRONS WITH GOLD

台速工業股份有限公司		FILE NAME	BM-089	
BOBBIN MASTER INDUSTRIAL CO;LTD.		MODEL NAME		
TEL:(886 2) 2694-3199		MATERIAL		
FAX:(886 2) 2694-0947		PIN MATERIAL	NICKEL BRONZE PHOSPHOR BRONZE	
REV 00		TOLERANCE	UL REC.	UNIT
		X. 0.15	UL 94V-0	m m
		X.X 0.1		



台速工業股份有限公司

BOBBIN MASTER INDUSTRIAL CO;LTD.

TEL:(886 2) 2694-3199

FAX:(886 2) 2694-0947

REV 00

FILE NAME

BM-090

電鍍方式

半面電鍍鎳底40u''霧錫120u''

MATERIAL

PIN MATERIAL

NICKEL BRONZE PHOSPHOR BRONZE

TOLERANCE

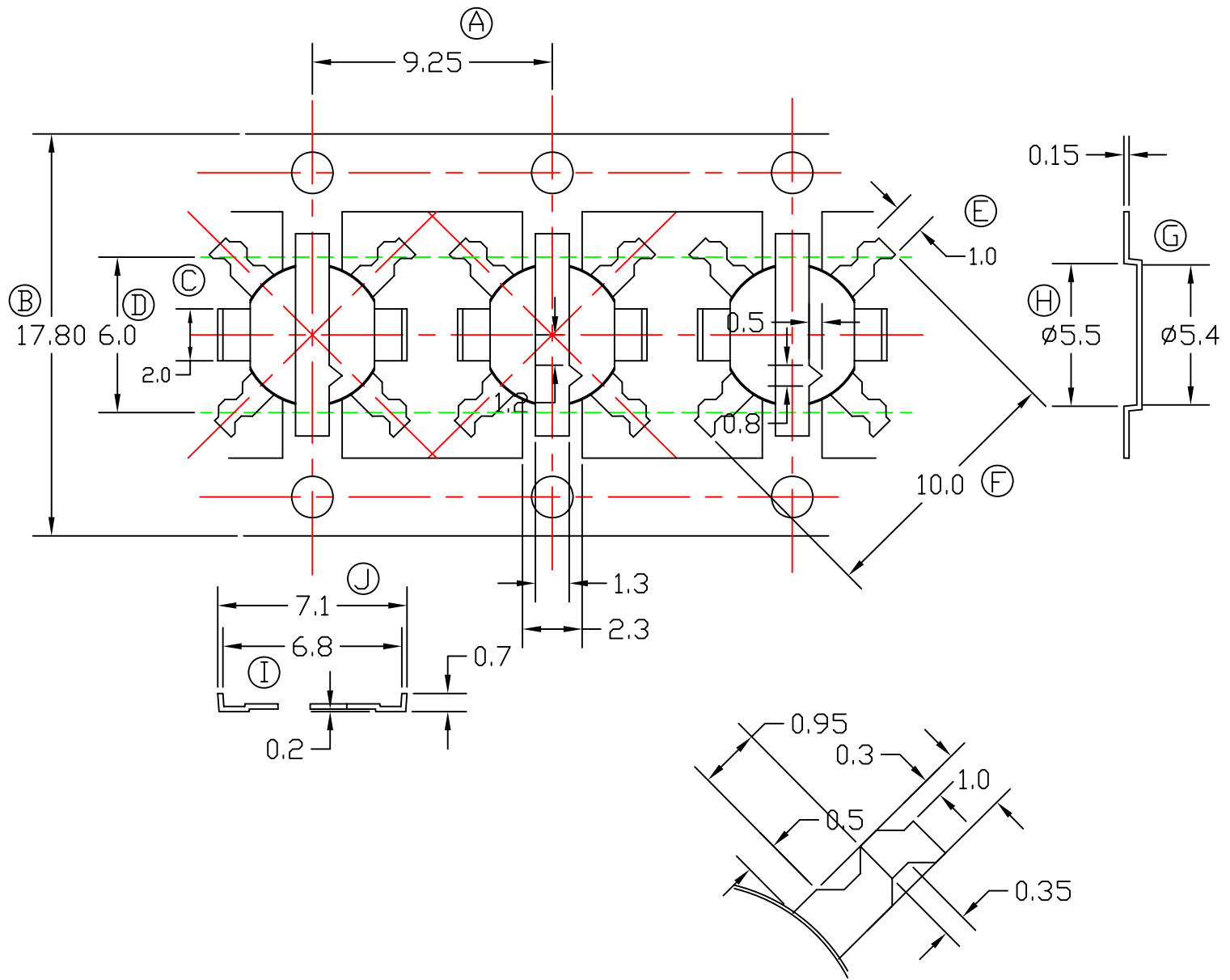
UL REC.

UNIT

±0.1

UL 94V-0

m m



台速工業股份有限公司

BOBBIN MASTER INDUSTRIAL CO;LTD.

TEL:(886 2) 2694-3199

FAX:(886 2) 2694-0947

REV 00

FILE NAME

BM-090-1

電鍍方式

半面電鍍銀底40u''霧錫120u''

MATERIAL

PIN MATERIAL

NICKEL BRONZE PHOSPHOR BRONZE

TOLERANCE

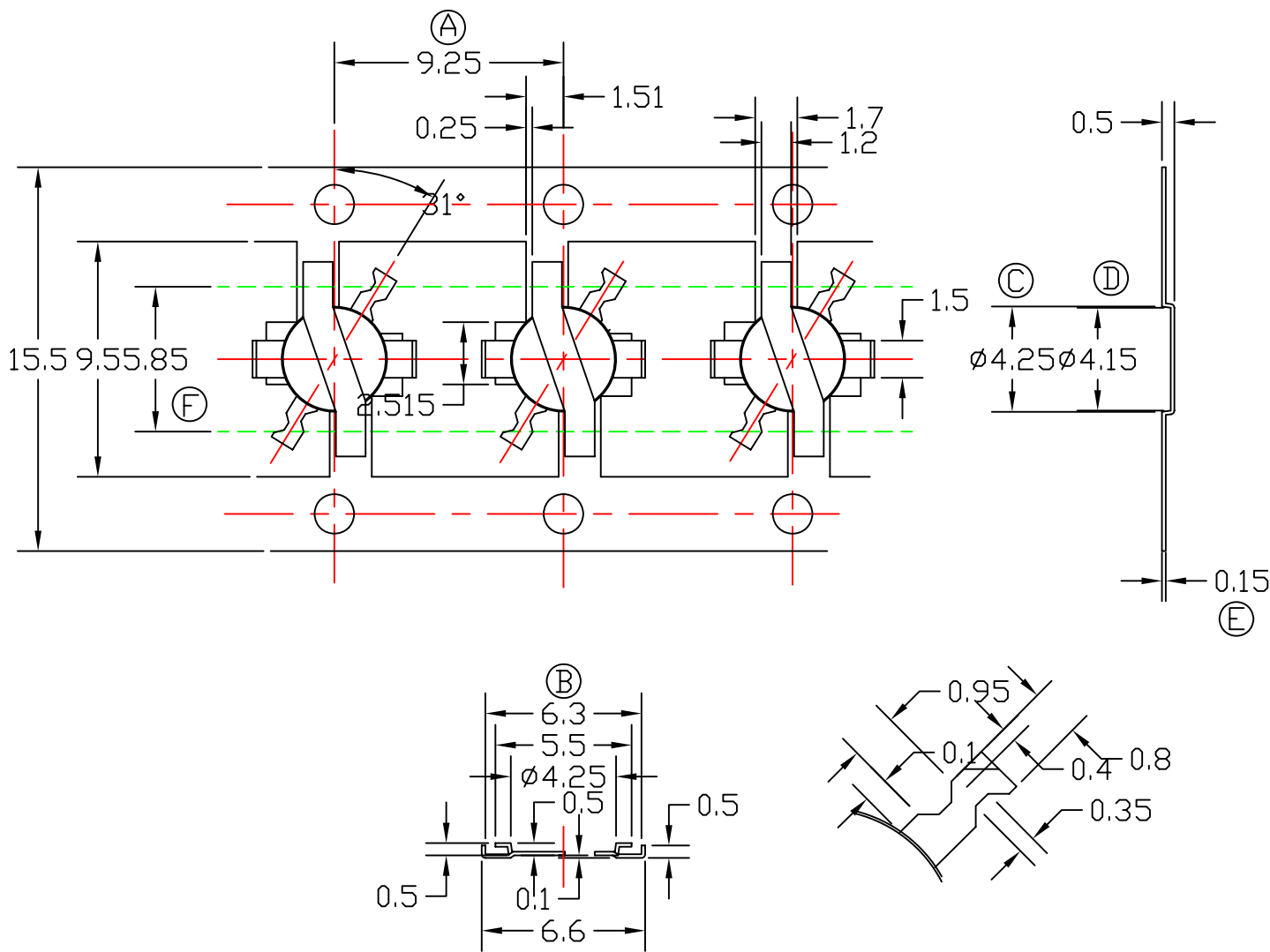
UL REC.

UNIT

±0.1

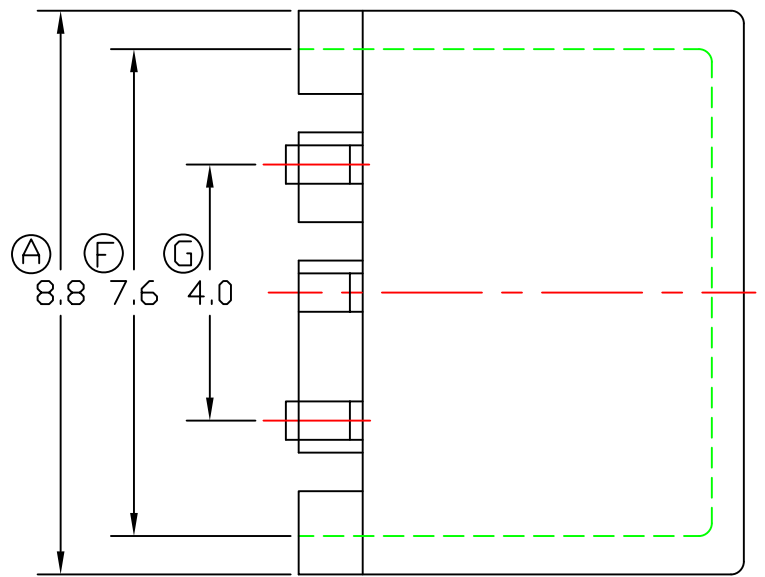
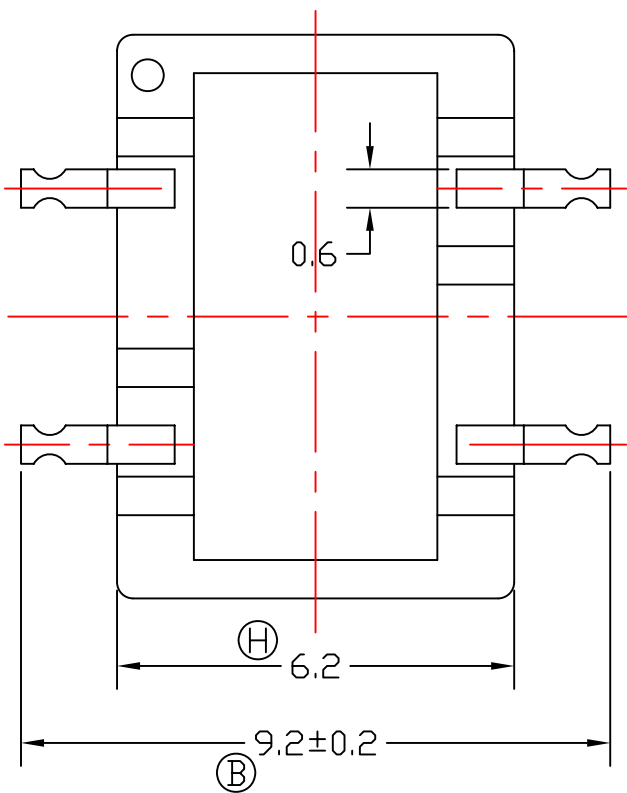
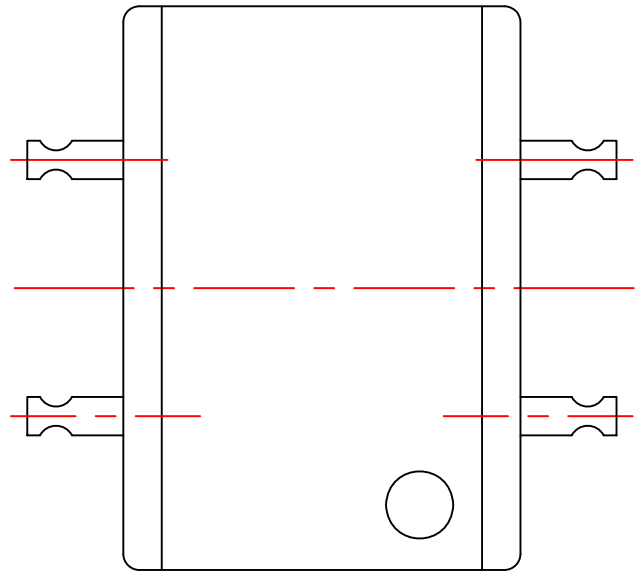
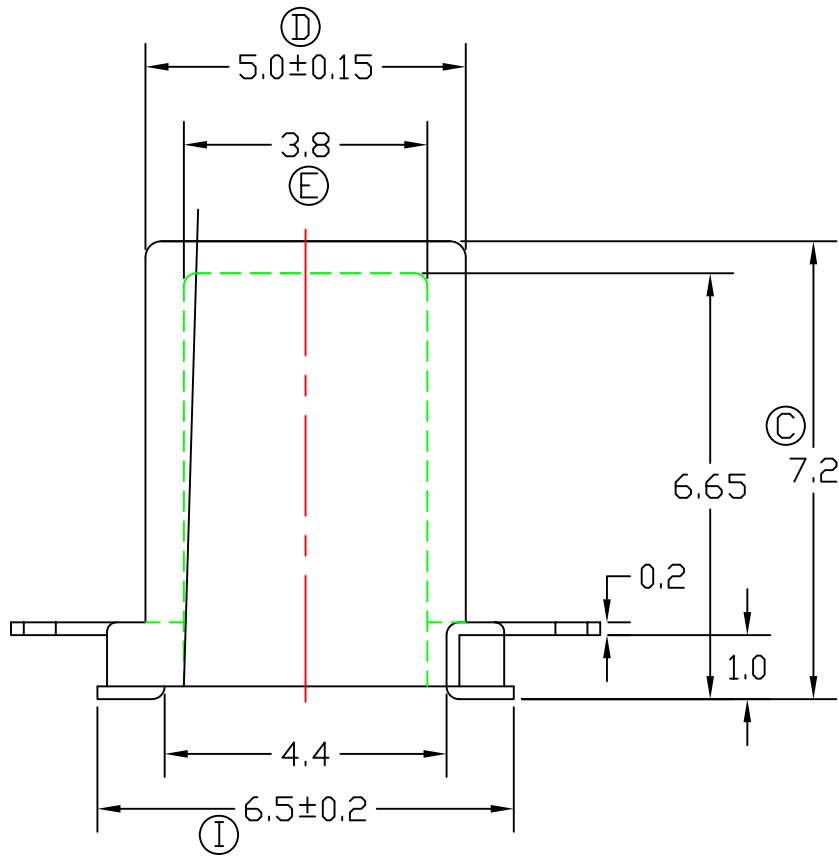
UL 94V-0

m m



台速工業股份有限公司
 BOBBIN MASTER INDUSTRIAL CO;LTD.
 TEL:(886 2) 2694-3199
 FAX:(886 2) 2694-0947
 REV 00

FILE NAME		BM-094	
MODEL NAME			
MATERIAL			
PIN MATERIAL		NICKEL BRONZE PHOSPHOR BRONZE	
TOLERANCE		UL REC.	UNIT
X.	0.15	UL 94V-0	m m
X.X	0.1		



台速工業股份有限公司

BOBBIN MASTER INDUSTRIAL CO;LTD.

TEL:(886 2) 2694-3199

FAX:(886 2) 2694-0947

REV 00

FILE NAME

BM-098

MODEL NAME

MATERIAL

SUMITOMO E4008

PIN MATERIAL

NICKEL BRONZE PHOSPHOR BRONZE

TOLERANCE

UL REC.

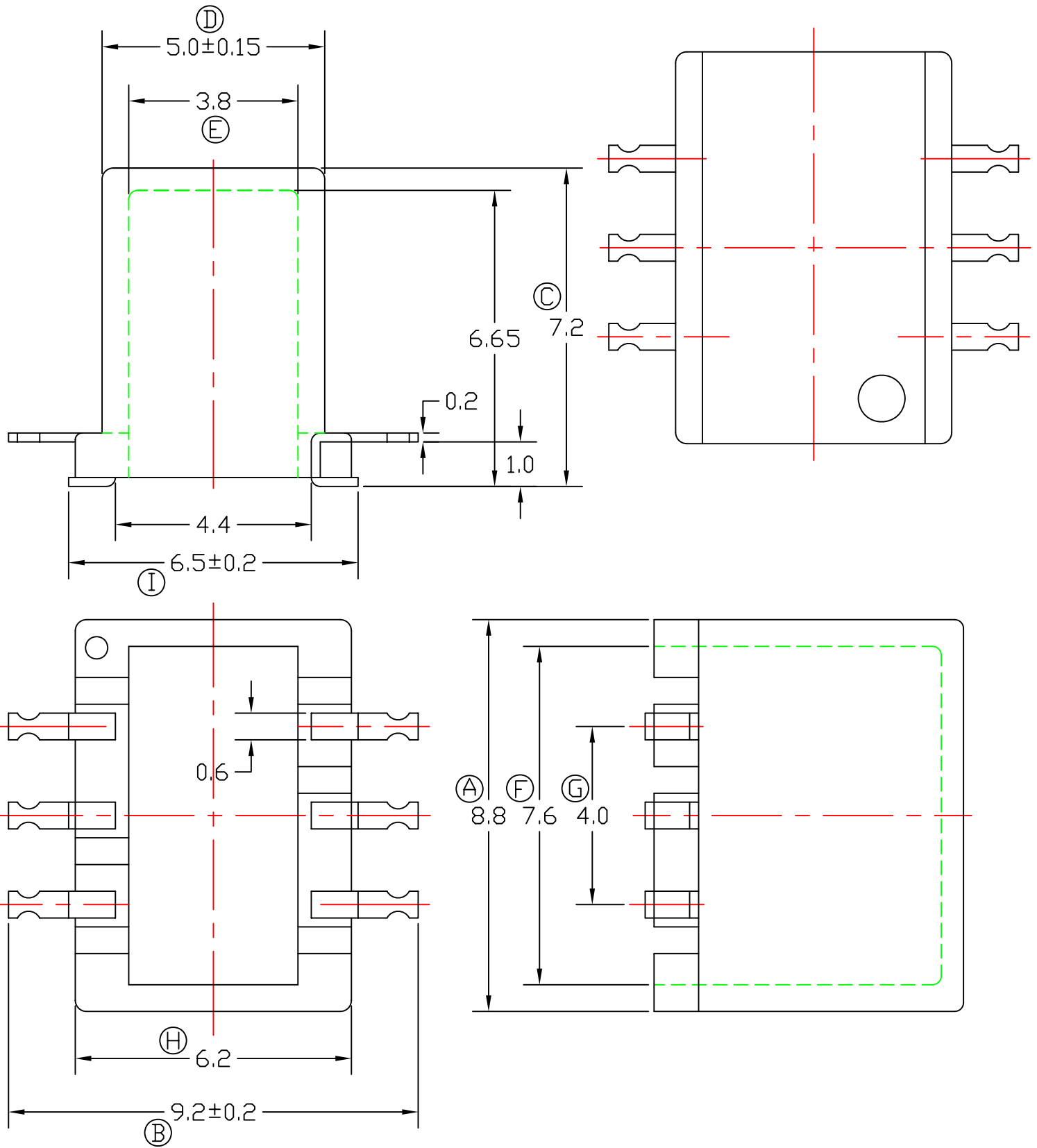
UNIT

X. 0.15

X.X 0.1

UL 94V-0

m m



台速工業股份有限公司

BOBBIN MASTER INDUSTRIAL CO;LTD.

TEL:(886 2) 2694-3199

FAX:(886 2) 2694-0947

REV 00

FILE NAME

BM-098-1

MODEL NAME

MATERIAL

SUMITOMO E4008

PIN MATERIAL

NICKEL BRONZE PHOSPHOR BRONZE

TOLERANCE

UL REC.

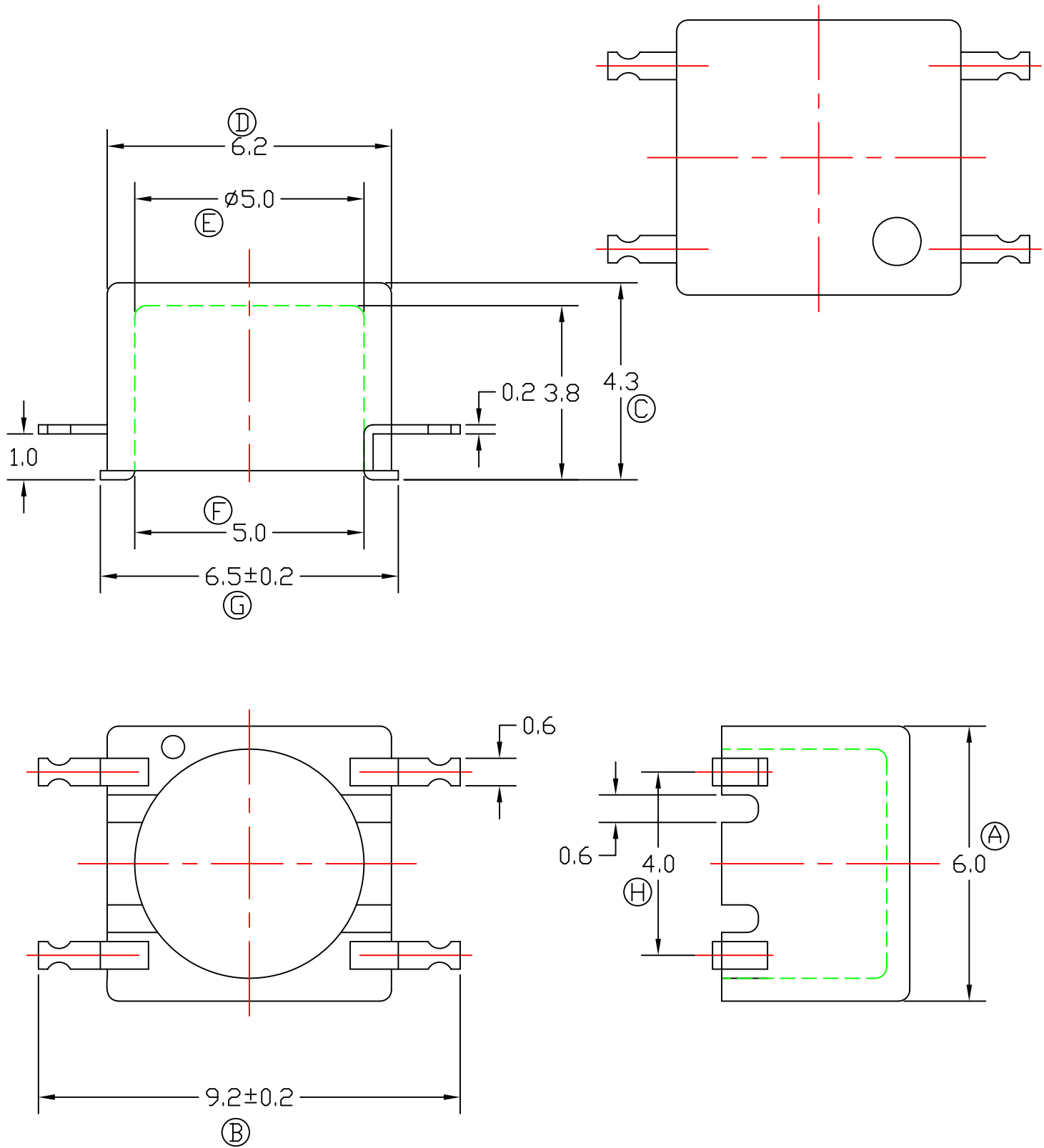
UNIT

X. 0.15

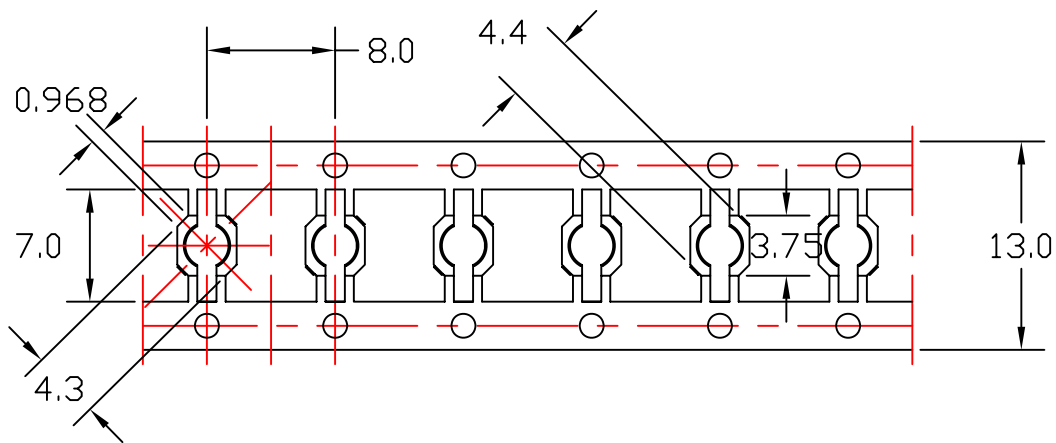
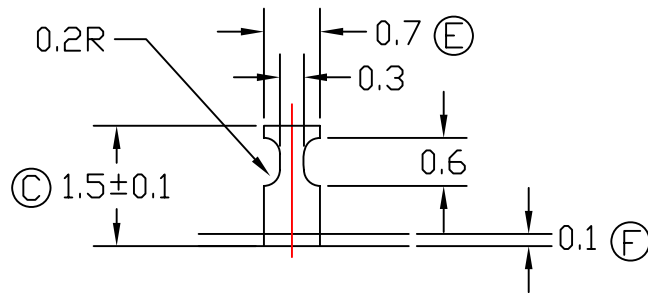
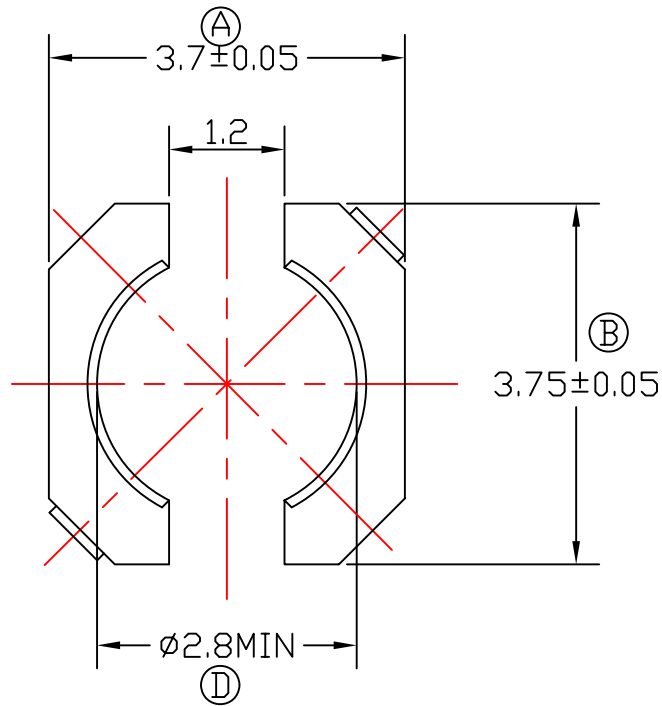
X.X 0.1

UL 94V-0

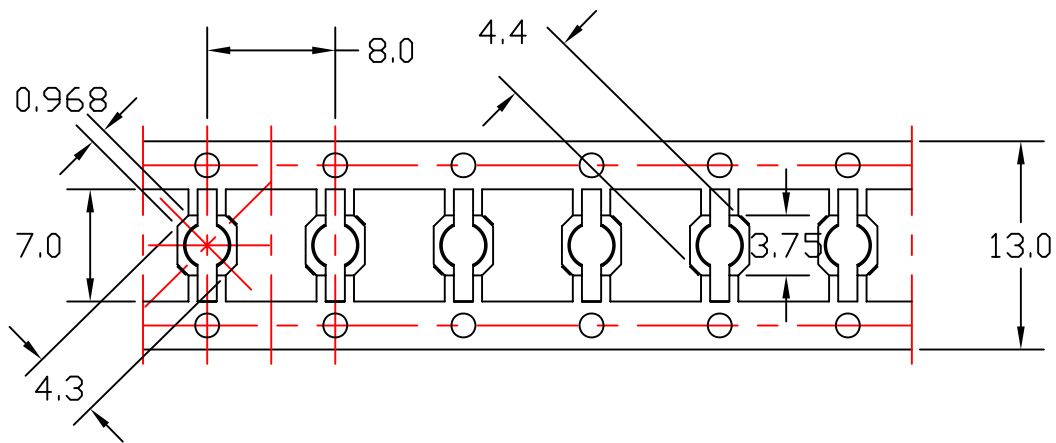
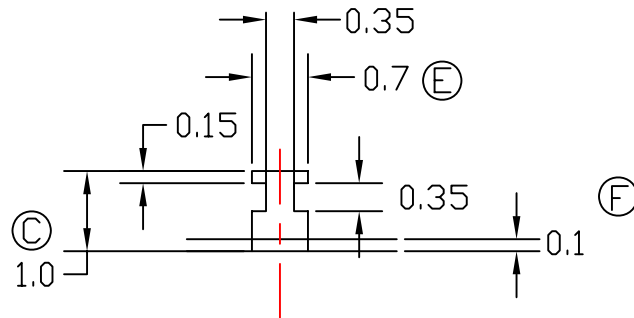
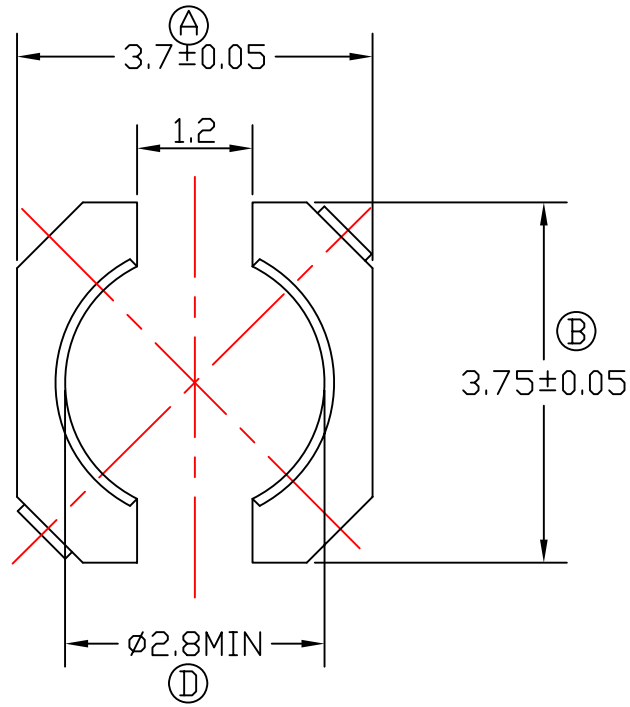
m m



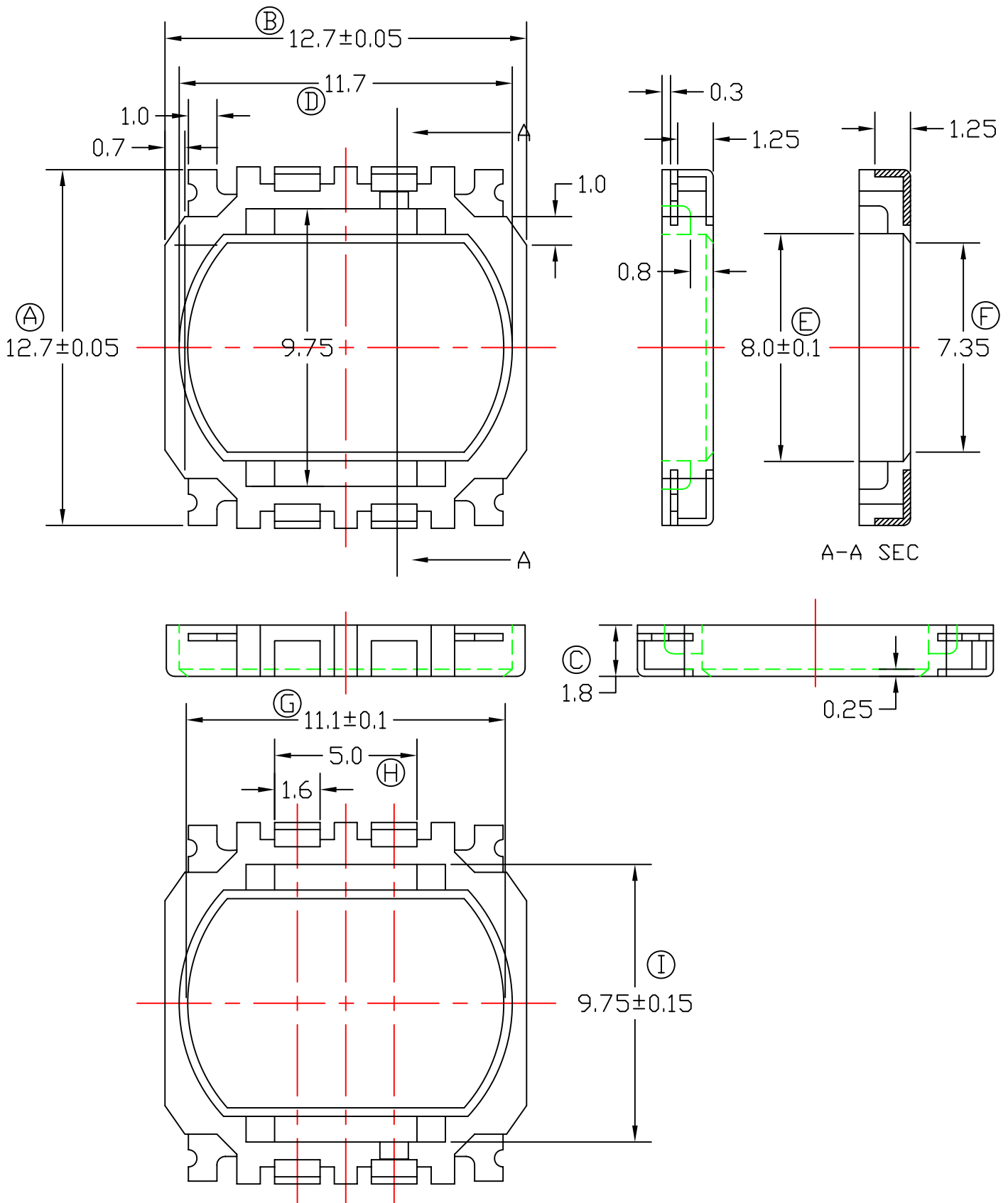
台速工業股份有限公司		FILE NAME	BM-098-2	
BOBBIN MASTER INDUSTRIAL CO;LTD.		MODEL NAME		
TEL:(886 2) 2694-3199		MATERIAL	SUMITOMO E4008	
FAX:(886 2) 2694-0947		PIN MATERIAL	NICKEL BRONZE PHOSPHOR BRONZE	
REV 00		TOLERANCE	UL REC.	UNIT
		X. 0.15	UL 94V-0	m m
		X.X 0.1		



台速工業股份有限公司		FILE NAME	BM-099	
BOBBIN MASTER INDUSTRIAL CO;LTD.		MODEL NAME	ROR 3D 15	
TEL:(886 2) 2694-3199		MATERIAL		
FAX:(886 2) 2694-0947		PIN MATERIAL	NICKEL BRONZE PHOSPHOR BRONZE	
REV		TOLERANCE	UL REC.	UNIT
00		X. 0.15 X.X 0.1	UL 94V-0	m m



台速工業股份有限公司		FILE NAME	BM-099-1	
BOBBIN MASTER INDUSTRIAL CO;LTD.		MODEL NAME	ROR 3D 15	
TEL:(886 2) 2694-3199		MATERIAL		
FAX:(886 2) 2694-0947		PIN MATERIAL	NICKEL BRONZE PHOSPHOR BRONZE	
REV		TOLERANCE	UL REC.	UNIT
00		X. 0.15 X.X 0.1	UL 94V-0	m m



台速工業股份有限公司

BOBBIN MASTER INDUSTRIAL CO;LTD.

TEL:(886 2) 2694-3199

FAX:(886 2) 2694-0947

REV 00

FILE NAME

BM-100-1

MODEL NAME

MATERIAL

SUMITOMO E4008

PIN MATERIAL

NICKEL BRONZE PHOSPHOR BRONZE

TOLERANCE

UL REC.

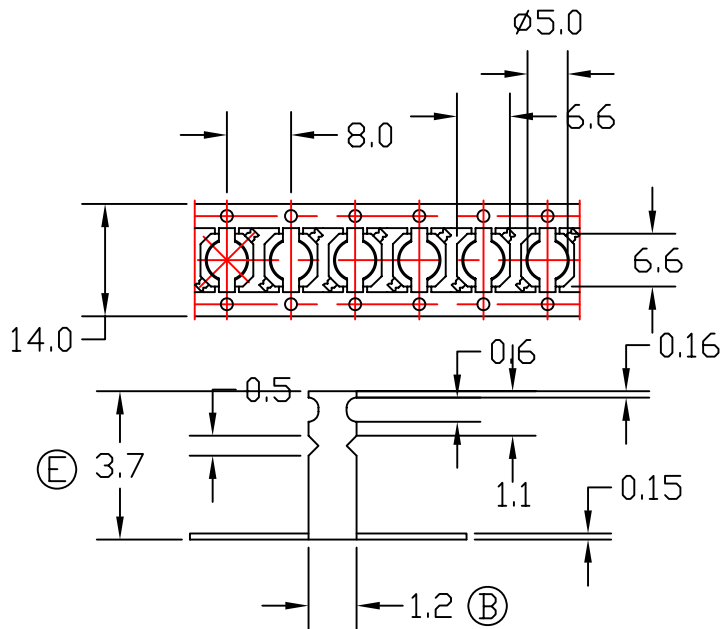
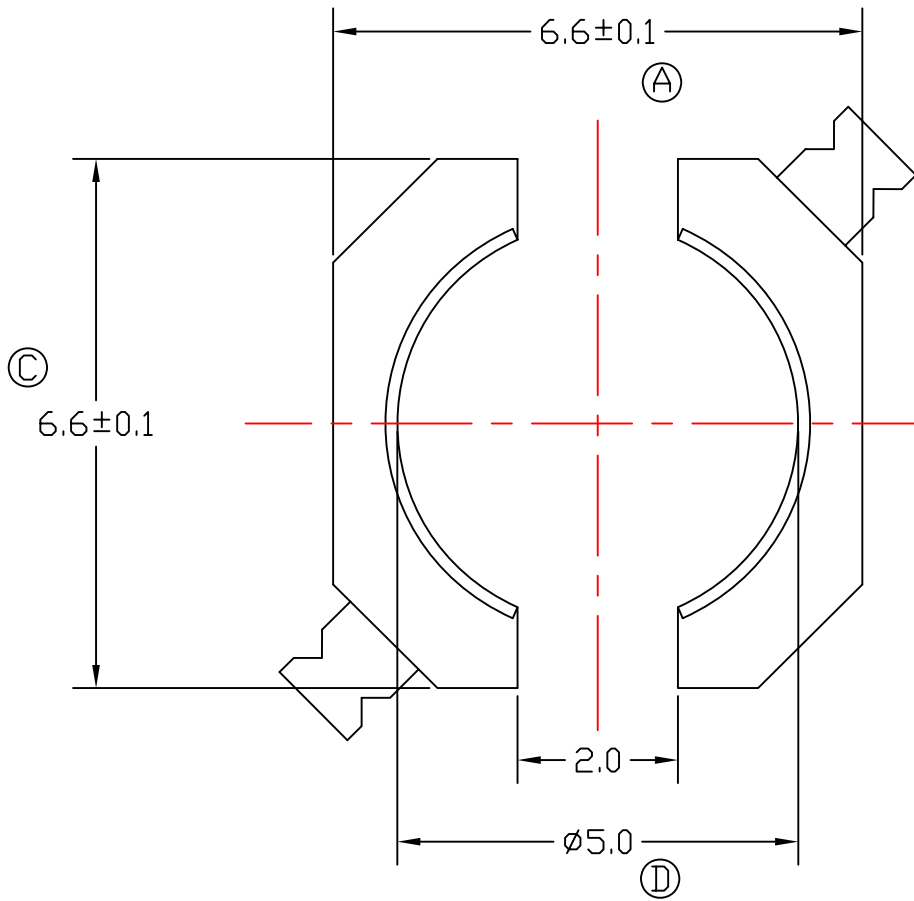
UNIT

X. 0.15

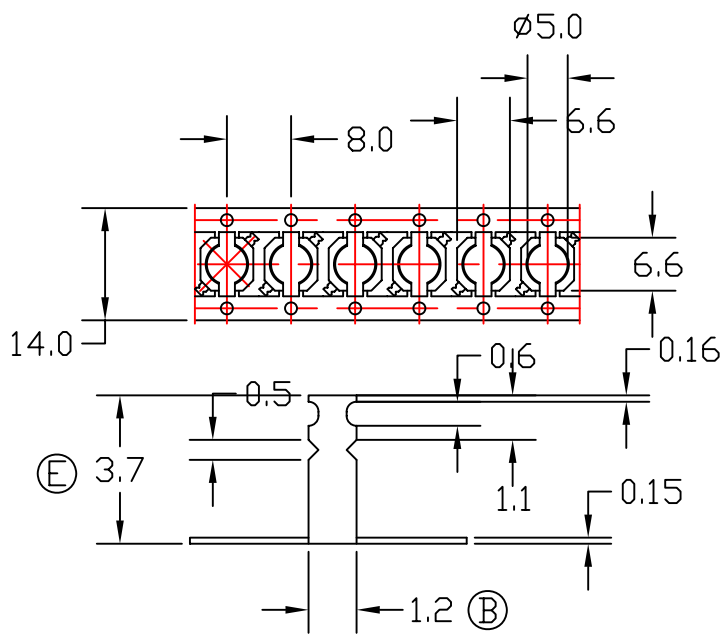
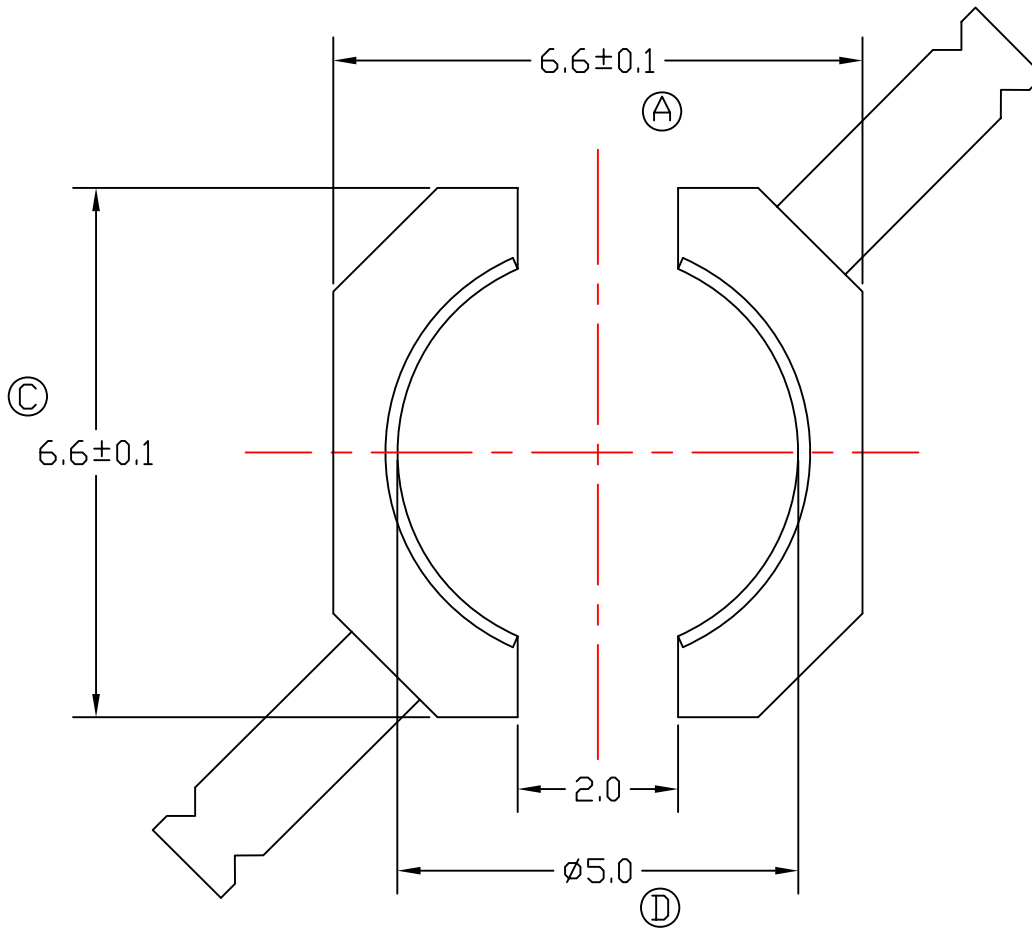
X.X 0.1

UL 94V-0

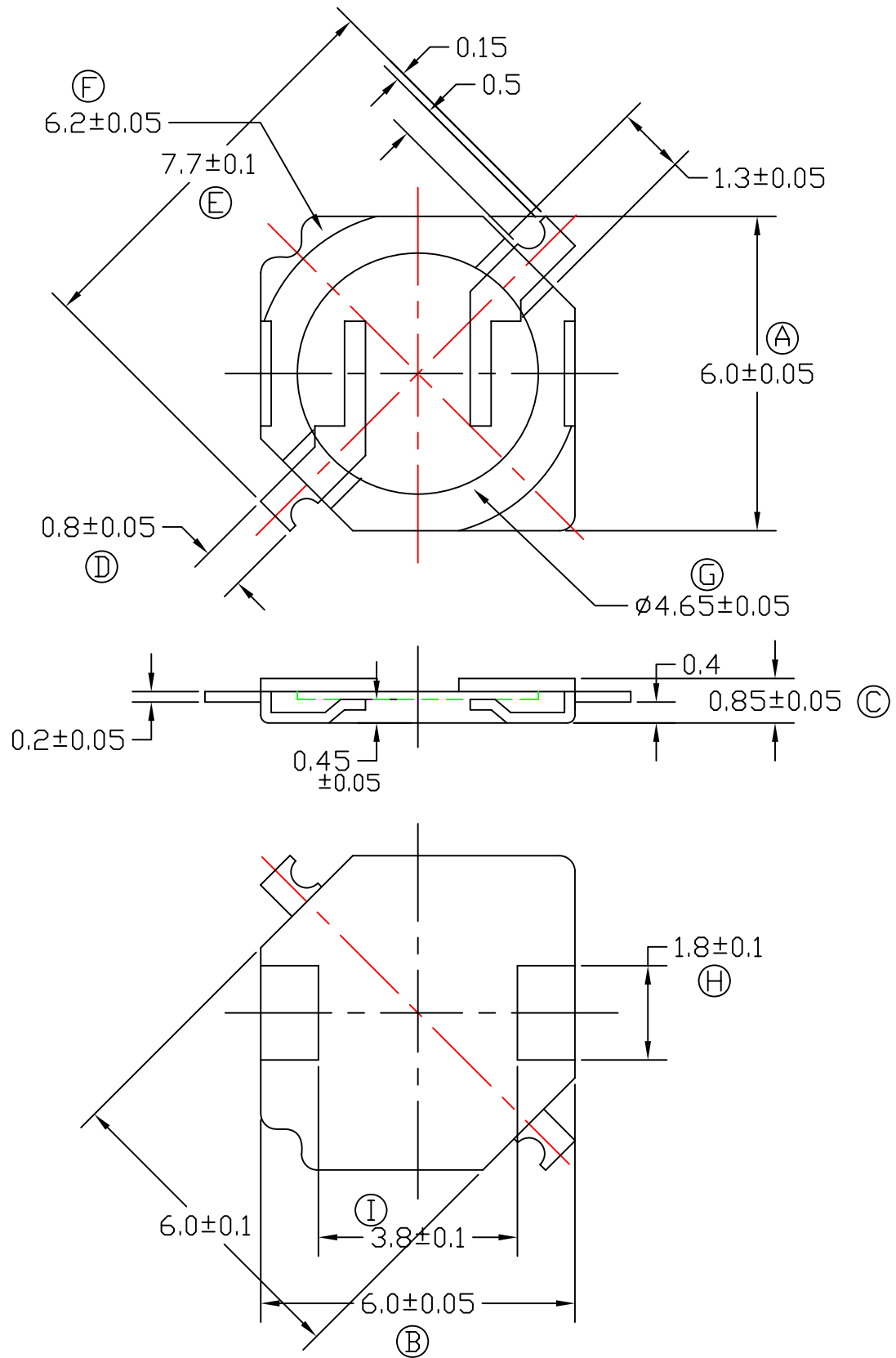
m m



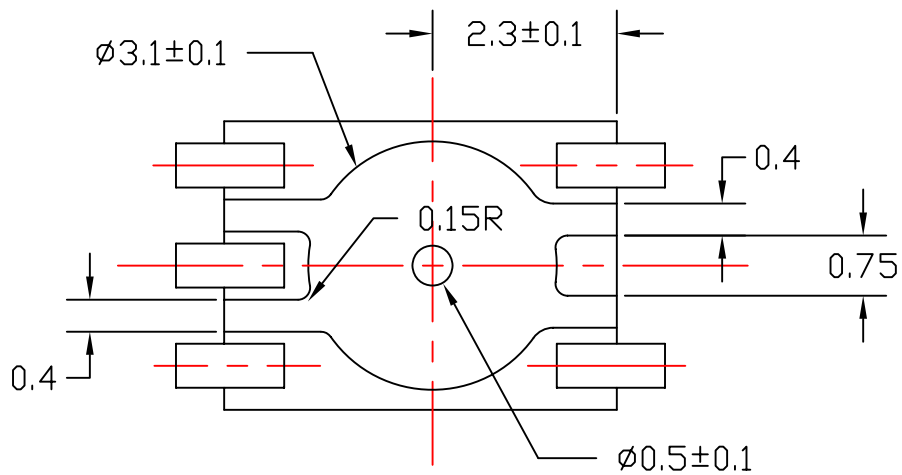
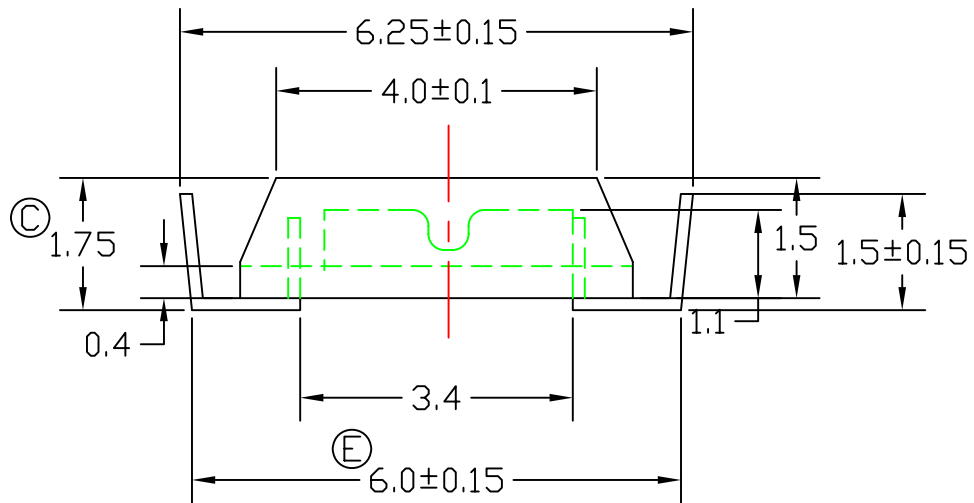
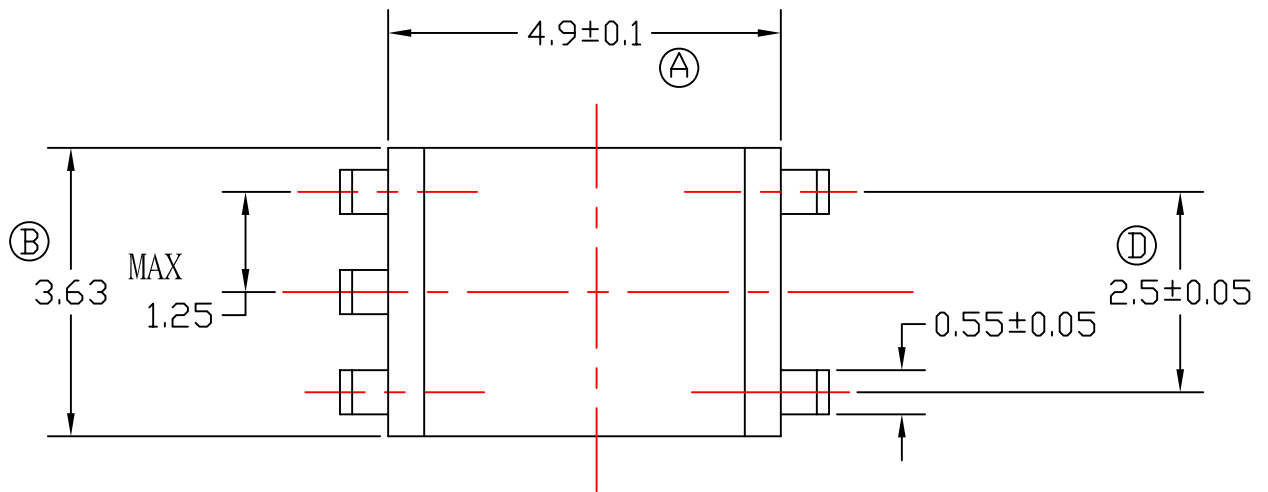
台速工業股份有限公司		FILE NAME	BM-102	
BOBBIN MASTER INDUSTRIAL CO;LTD.		MODEL NAME	FOR 6D 38	
TEL:(886 2) 2694-3199		MATERIAL		
FAX:(886 2) 2694-0947		PIN MATERIAL	NICKEL BRONZE PHOSPHOR BRONZE	
REV 00		TOLERANCE	UL REC.	UNIT
		X. 0.15	UL 94V-0	m m
		X.X 0.1		



台速工業股份有限公司		FILE NAME	BM-102-1	
BOBBIN MASTER INDUSTRIAL CO;LTD.		MODEL NAME	FOR 6D 38	
TEL:(886 2) 2694-3199		MATERIAL		
FAX:(886 2) 2694-0947		PIN MATERIAL	NICKEL BRONZE PHOSPHOR BRONZE	
REV 00		TOLERANCE	UL REC.	UNIT
		X. 0.15	UL 94V-0	m m
		X.X 0.1		



台速工業股份有限公司			FILE NAME	BM-103	
BOBBIN MASTER INDUSTRIAL CO;LTD.			MODEL NAME	D.R CORE BASE	
TEL: (886 2) 2694-3199			MATERIAL	E4008	
FAX: (886 2) 2694-0947			PIN MATERIAL	PHOSPHOR , NICKEL BRONZE	
			TOLERANCE	UL REC.	UNIT
REV	00		± 0.15	UL 94V-0	m m



台速工業股份有限公司

BOBBIN MASTER INDUSTRIAL CO;LTD.

TEL:(886 2) 2694-3199

FAX:(886 2) 2694-0947

REV 00

FILE NAME

BM-104

MODEL NAME

3X2X0.8 BASE

MATERIAL

L.C.P.

PIN MATERIAL

NICKEL BRONZE PHOSPHOR BRONZE

TOLERANCE

UL REC.

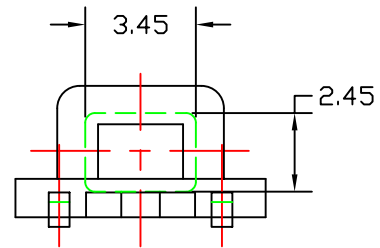
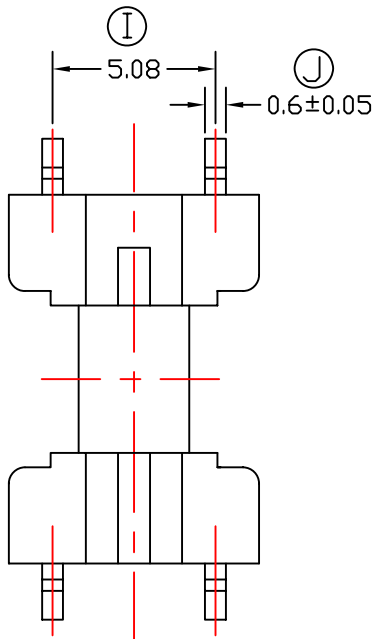
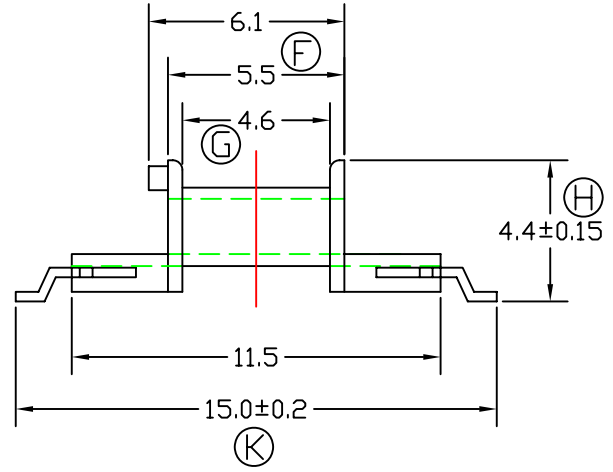
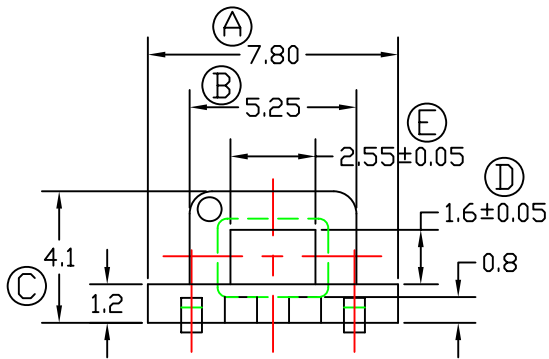
UNIT

X.X 0.15

UL 94V-0

m m

X.X X 0.1



台速工業股份有限公司

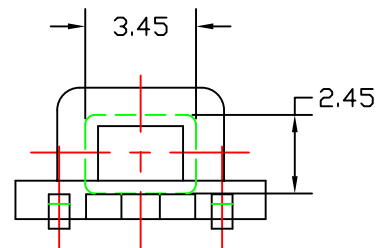
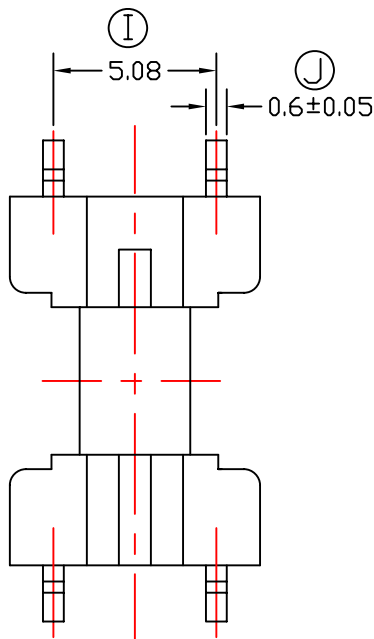
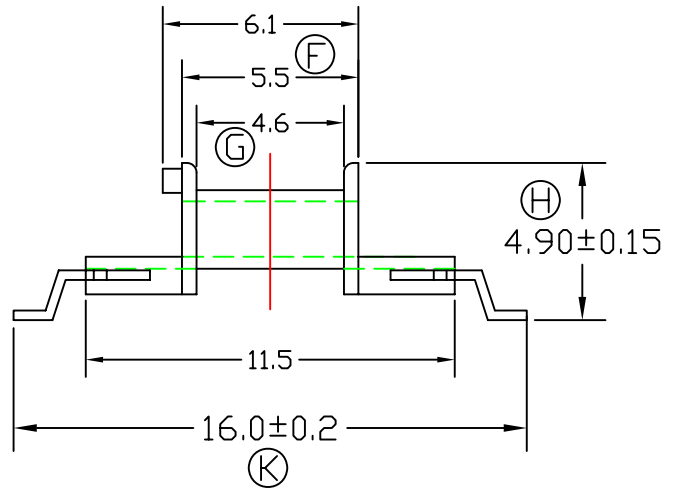
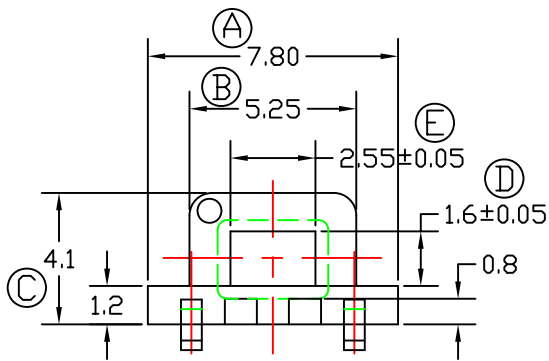
BOBBIN MASTER INDUSTRIAL CO;LTD.

TEL:(886 2) 2694-3199

FAX:(886 2) 2694-0947

REV 00

FILE NAME	BM-105	
MODEL NAME	ED 8	
MATERIAL	SUMITOMO E4008	
PIN MATERIAL	NICKEL BRONZE PHOSPHOR BRONZE	
TOLERANCE	UL REC.	UNIT
X. 0.15	UL 94V-0	m m
X.X 0.1		



台速工業股份有限公司

BOBBIN MASTER INDUSTRIAL CO;LTD.

TEL:(886 2) 2694-3199

FAX:(886 2) 2694-0947

REV 00

FILE NAME

BM-105-1

MODEL NAME

ED 8

MATERIAL

SUMITOMOTO E4008

PIN MATERIAL

NICKEL BRONZE PHOSPHOR BRONZE

TOLERANCE

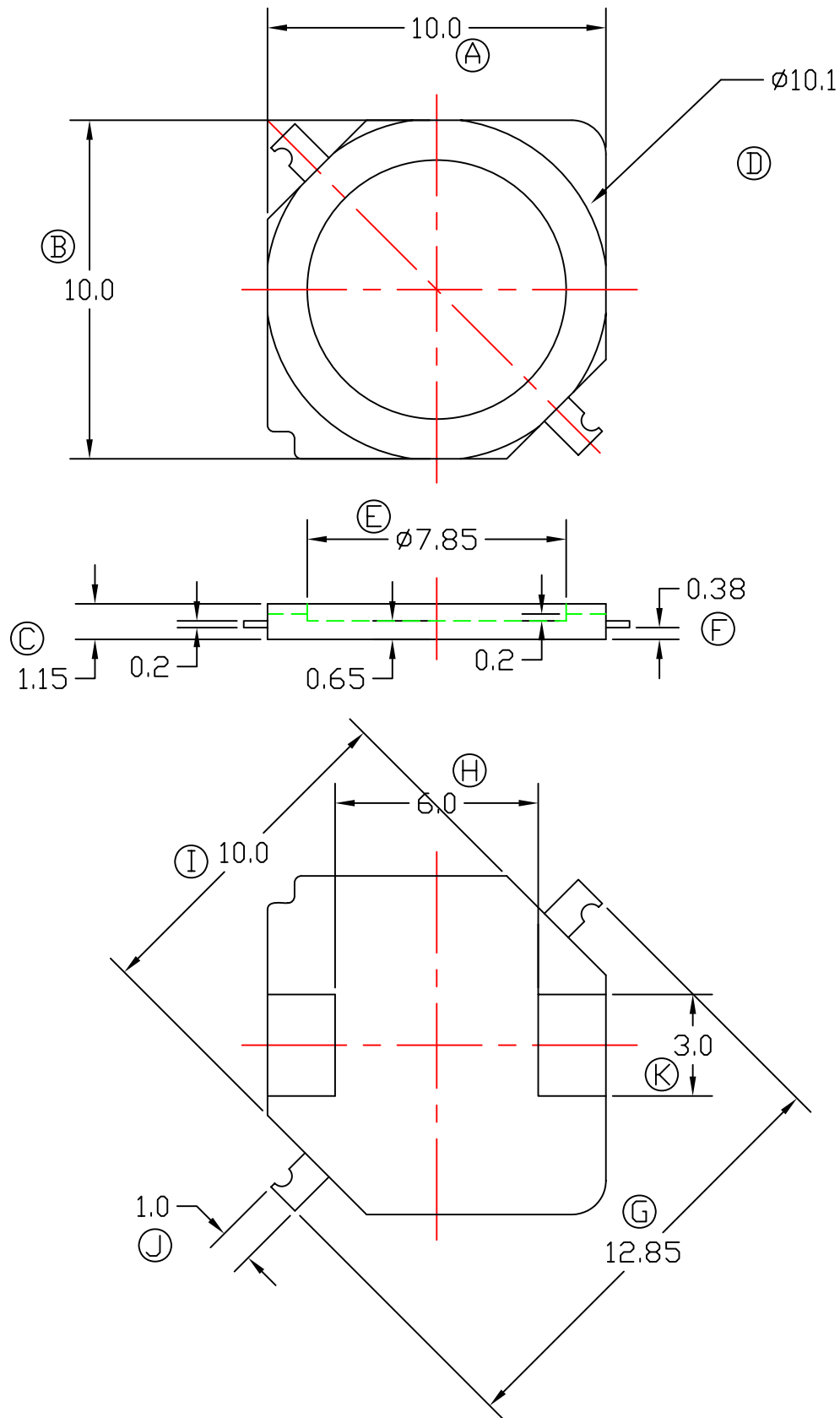
UL REC.

UNIT

X. 0.15
X.X 0.1

UL 94V-0

m m



台速工業股份有限公司

BOBBIN MASTER INDUSTRIAL CO;LTD.

TEL:(886 2) 2694-3199

FAX:(886 2) 2694-0947

REV 00

FILE NAME

BM-106(SDE115)

MODEL NAME

MATERIAL

L C P

PIN MATERIAL

NICKEL BRONZE PHOSPHOR BRONZE

TOLERANCE

UL REC.

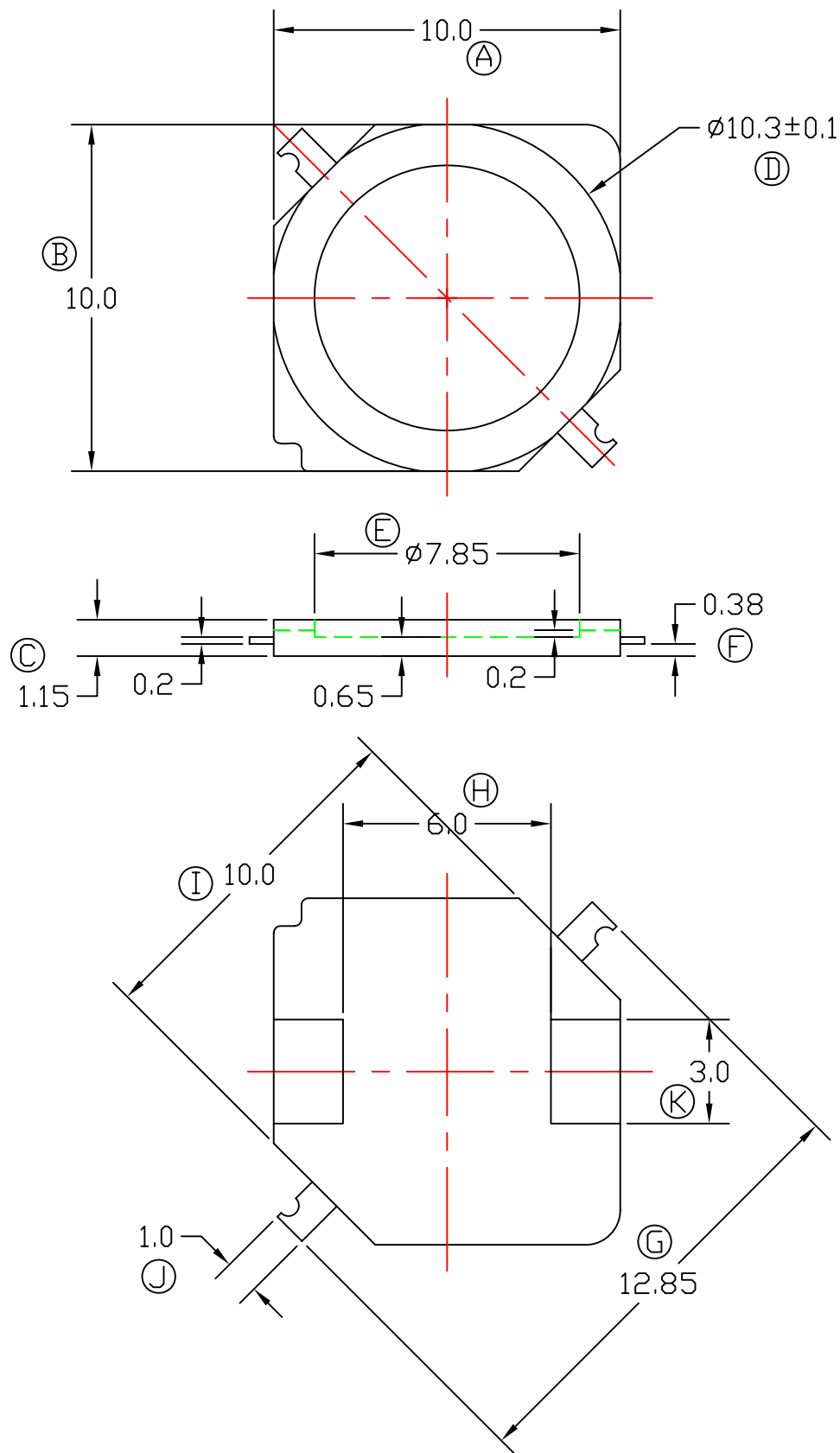
UNIT

X. 0.15

X.X 0.1

UL 94V-0

m m



台速工業股份有限公司

BOBBIN MASTER INDUSTRIAL CO;LTD.

TEL:(886 2) 2694-3199

FAX:(886 2) 2694-0947

REV 00

FILE NAME

BM-106-1

MODEL NAME

MATERIAL

L C P

PIN MATERIAL

NICKEL BRONZE PHOSPHOR BRONZE

TOLERANCE

UL REC.

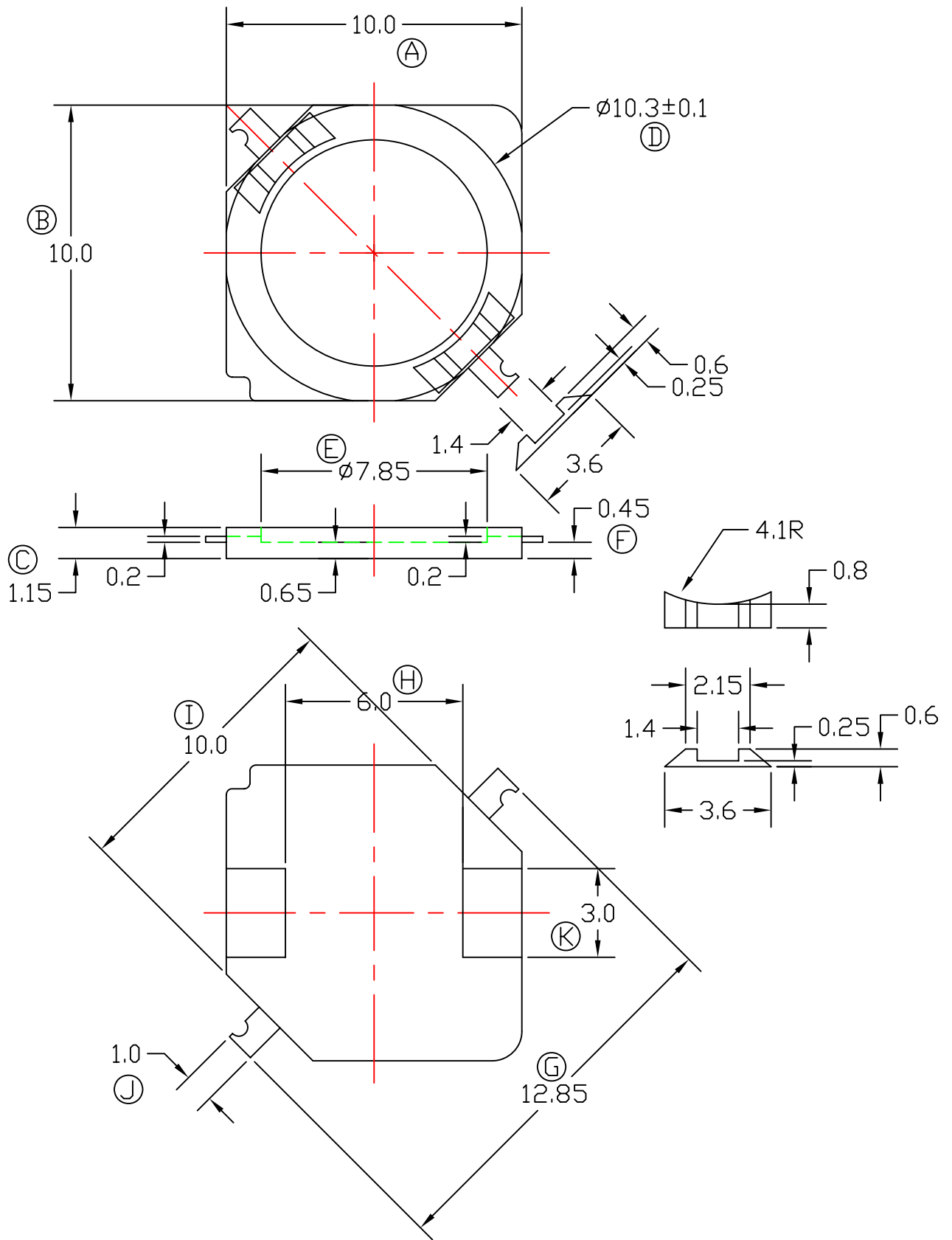
UNIT

X. 0.15

X.X 0.1

UL 94V-0

m m



台速工業股份有限公司

BOBBIN MASTER INDUSTRIAL CO;LTD.

TEL:(886 2) 2694-3199

FAX:(886 2) 2694-0947

REV 00

FILE NAME

BM-106-2 (SDE 115)

MODEL NAME

MATERIAL

L C P

PIN MATERIAL

NICKEL BRONZE PHOSPHOR BRONZE

TOLERANCE

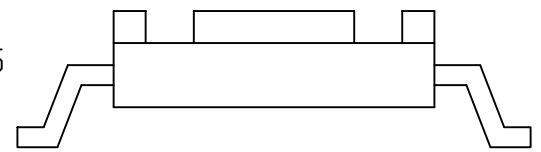
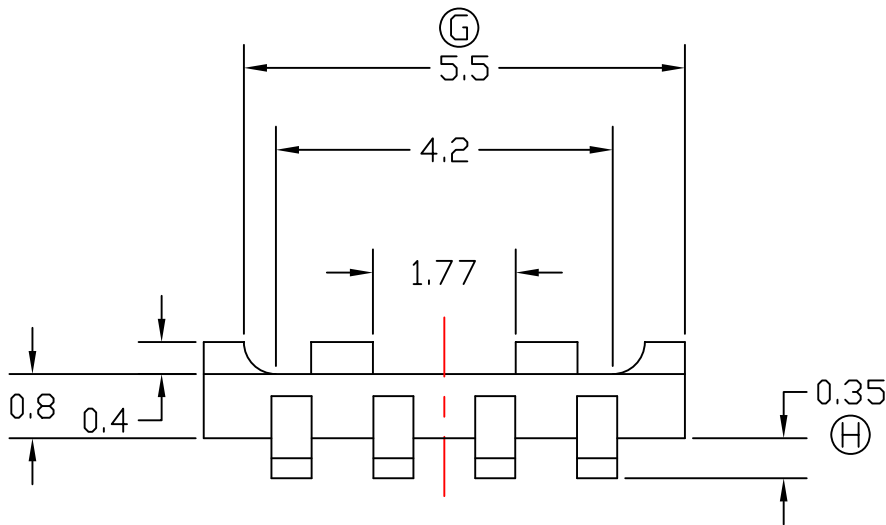
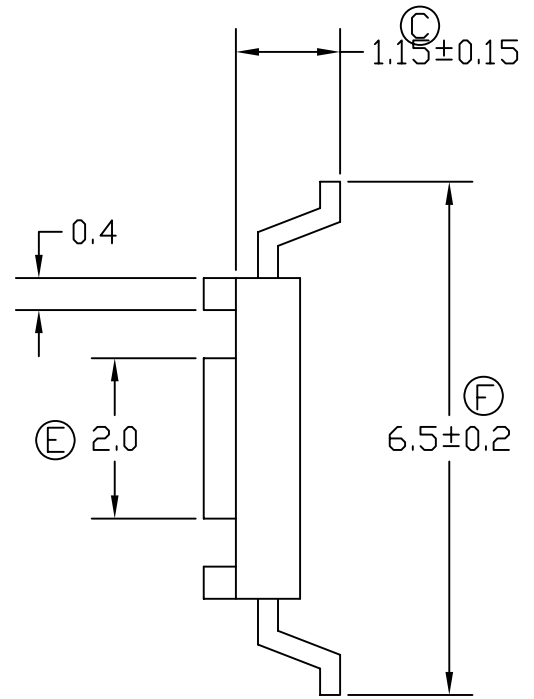
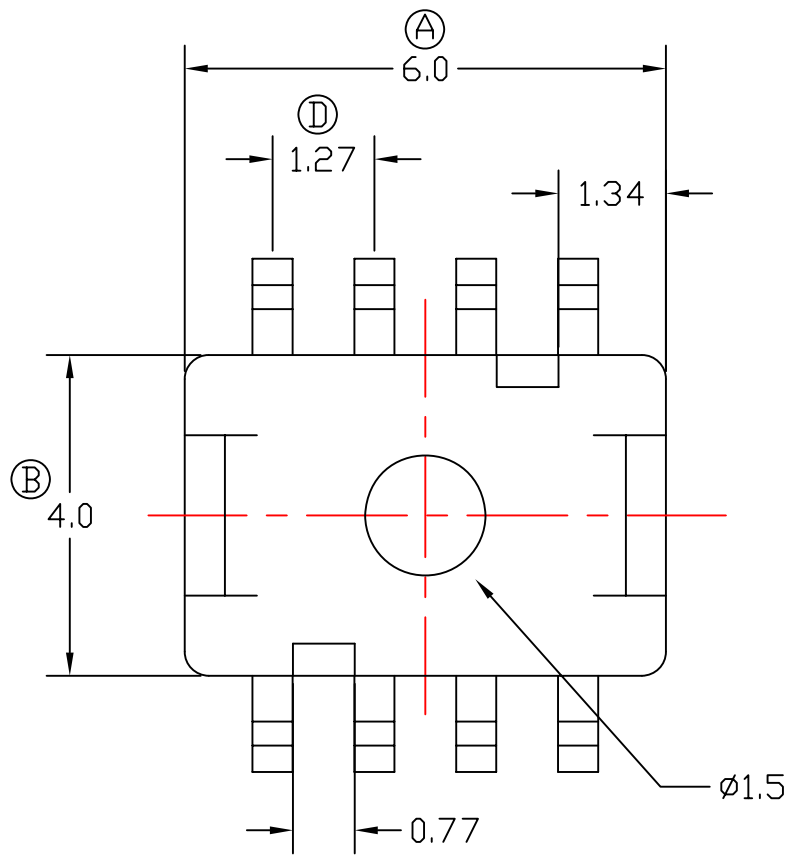
UL REC.

UNIT

± 0.15

UL 94V-0

m m



台速工業股份有限公司

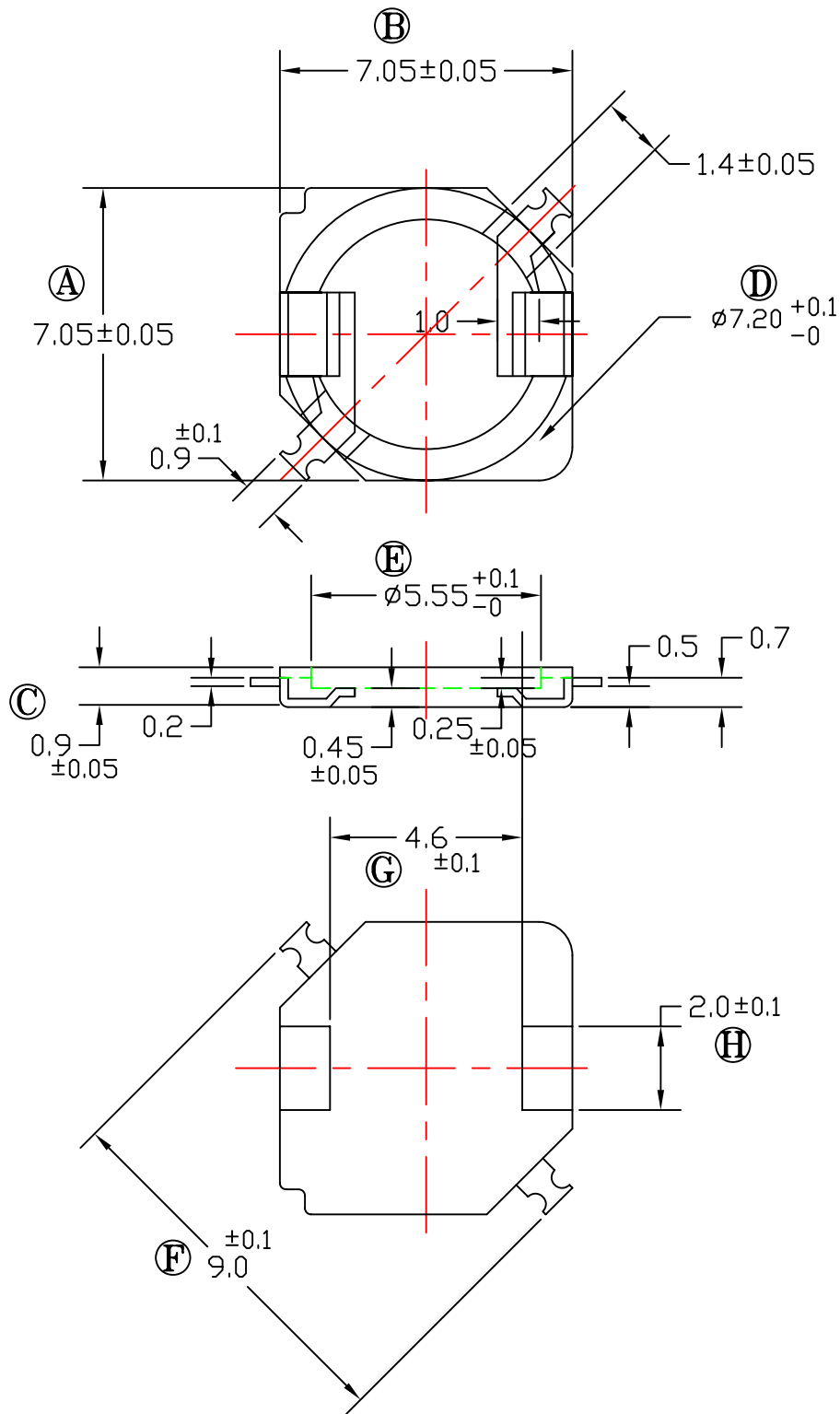
BOBBIN MASTER INDUSTRIAL CO;LTD.

TEL:(886 2) 2694-3199

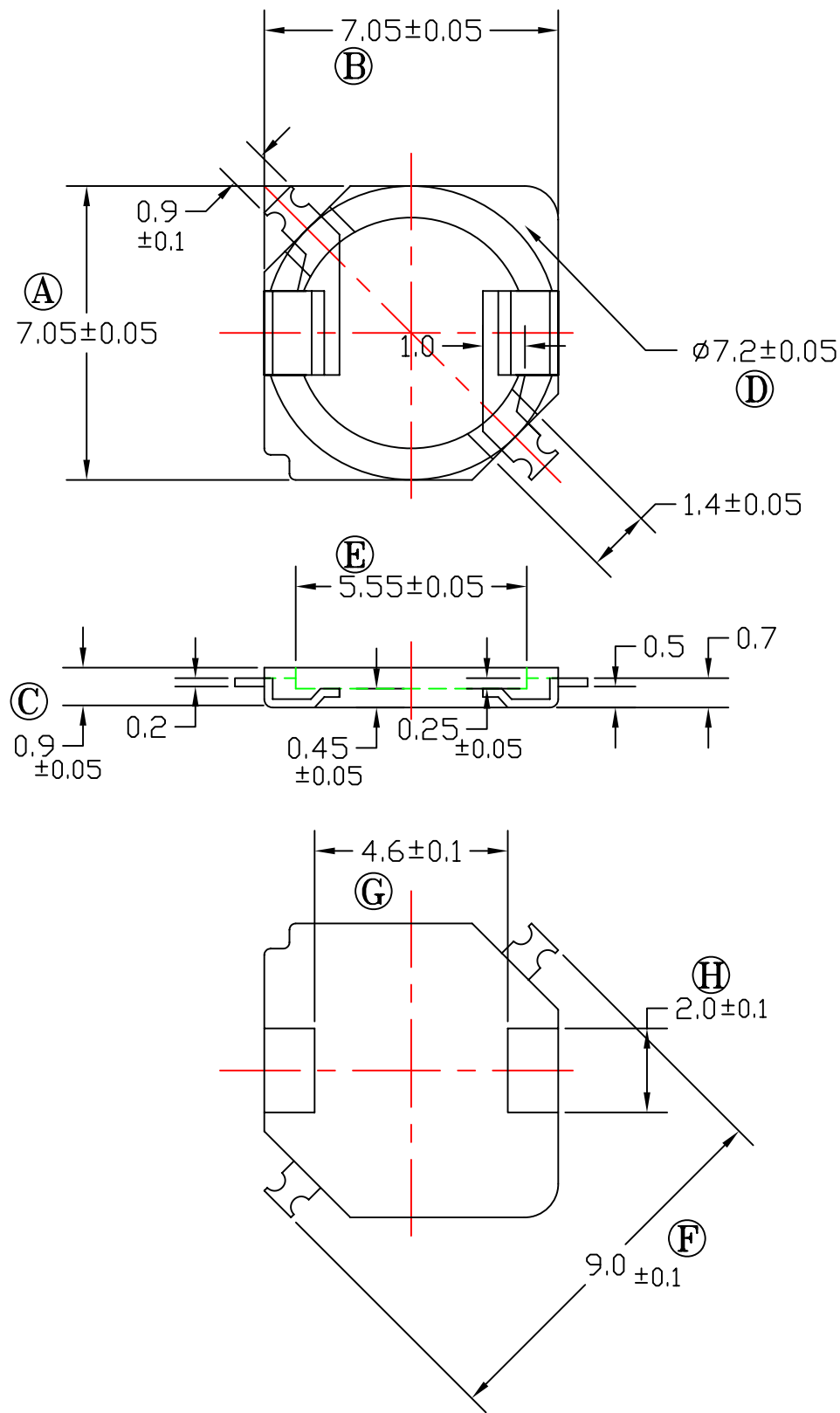
FAX:(886 2) 2694-0947

REV 00

FILE NAME	BM-108-1		
MODEL NAME	8 PIN BASE		
MATERIAL	E4008		
PIN MATERIAL	NICKEL BRONZE PHOSPHOR BRONZE		
TOLERANCE	UL REC.	UNIT	
X. 0.15	UL 94V-0	m m	
X.X 0.1			



台速工業股份有限公司		FILE NAME	BM-109(SDE 101A)	
BOBBIN MASTER INDUSTRIAL CO;LTD.		MODEL NAME		
TEL:(886 2) 2694-3199		MATERIAL	E4008	
FAX:(886 2) 2694-0947		PIN MATERIAL	NICKEL BRONZE PHOSPHOR BRONZE	
REV	00	TOLERANCE	UL REC.	UNIT
		X. 0.15	UL 94V-0	m m
		X.X 0.1		



台速工業股份有限公司

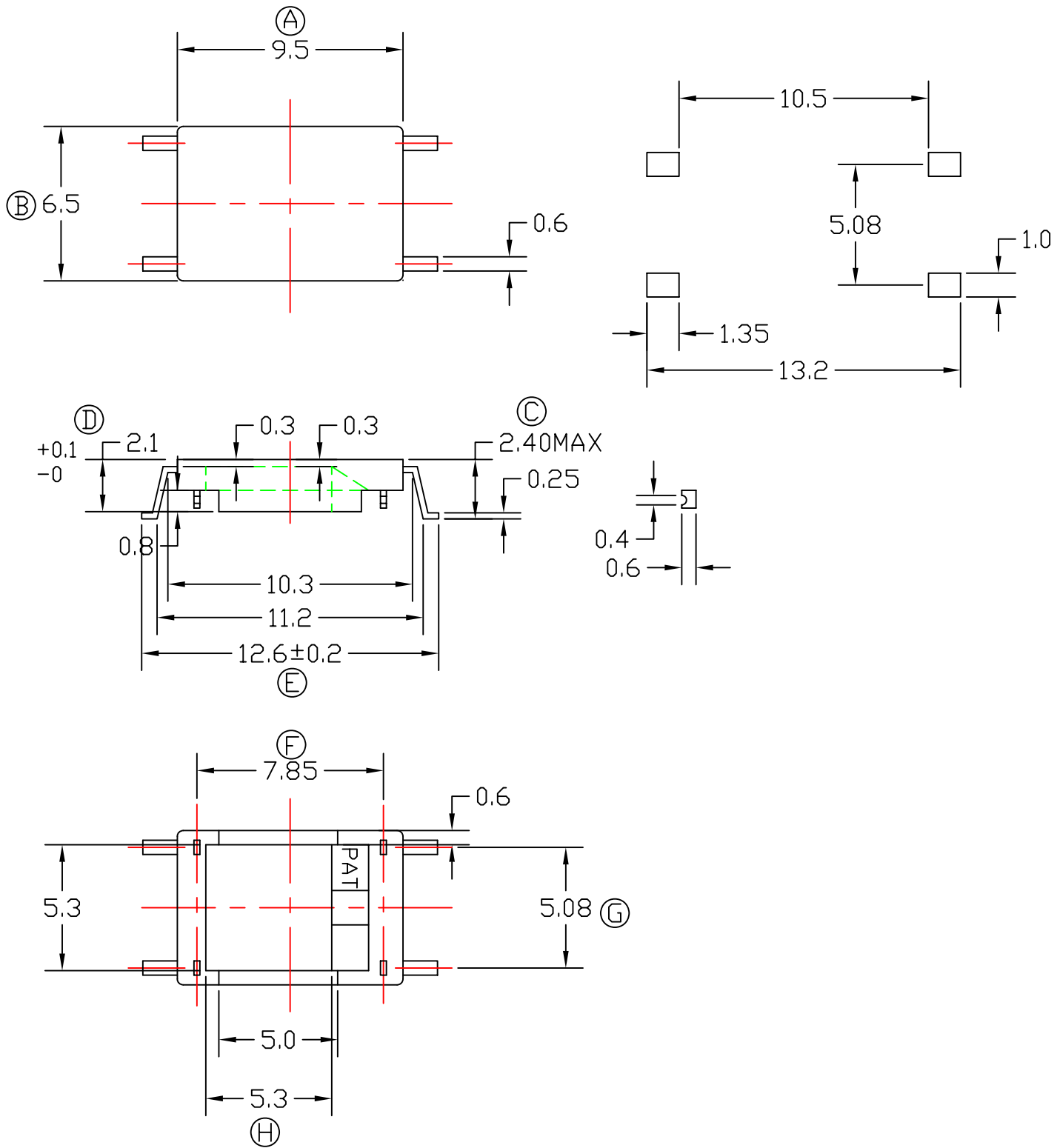
BOBBIN MASTER INDUSTRIAL CO;LTD.

TEL:(886 2) 2694-3199

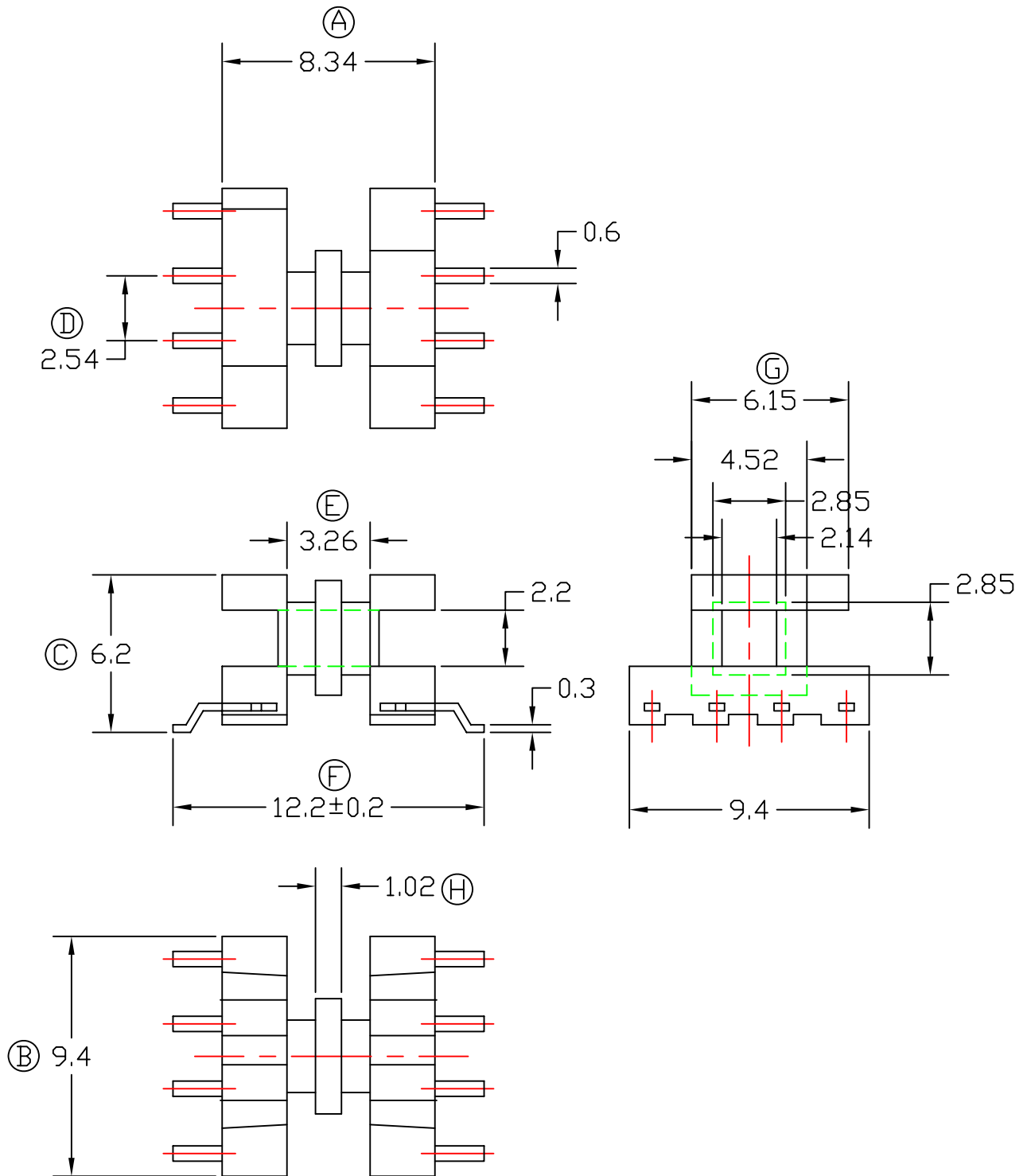
FAX:(886 2) 2694-0947

REV 00

FILE NAME	BM-109-1(SDE 101C)		
MODEL NAME			
MATERIAL	E4008		
PIN MATERIAL	NICKEL BRONZE PHOSPHOR BRONZE		
TOLERANCE	UL REC.	UNIT	
X. 0.15	UL 94V-0	m m	
X.X 0.1			



台速工業股份有限公司		FILE NAME	BM-110	
BOBBIN MASTER INDUSTRIAL CO;LTD.		MODEL NAME		
TEL:(886 2) 2694-3199		MATERIAL	L C P	
FAX:(886 2) 2694-0947		PIN MATERIAL	NICKEL BRONZE PHOSPHOR BRONZE	
REV 00		TOLERANCE	UL REC.	UNIT
		X. 0.15	UL 94V-0	m m
		X.X 0.1		



台速工業股份有限公司

BOBBIN MASTER INDUSTRIAL CO;LTD.

TEL:(886 2) 2694-3199

FAX:(886 2) 2694-0947

REV 00

FILE NAME

BM-113

MODEL NAME

EE 8.8

MATERIAL

LCP E4008

PIN MATERIAL

NICKEL BRONZE PHOSPHOR BRONZE

TOLERANCE

UL REC.

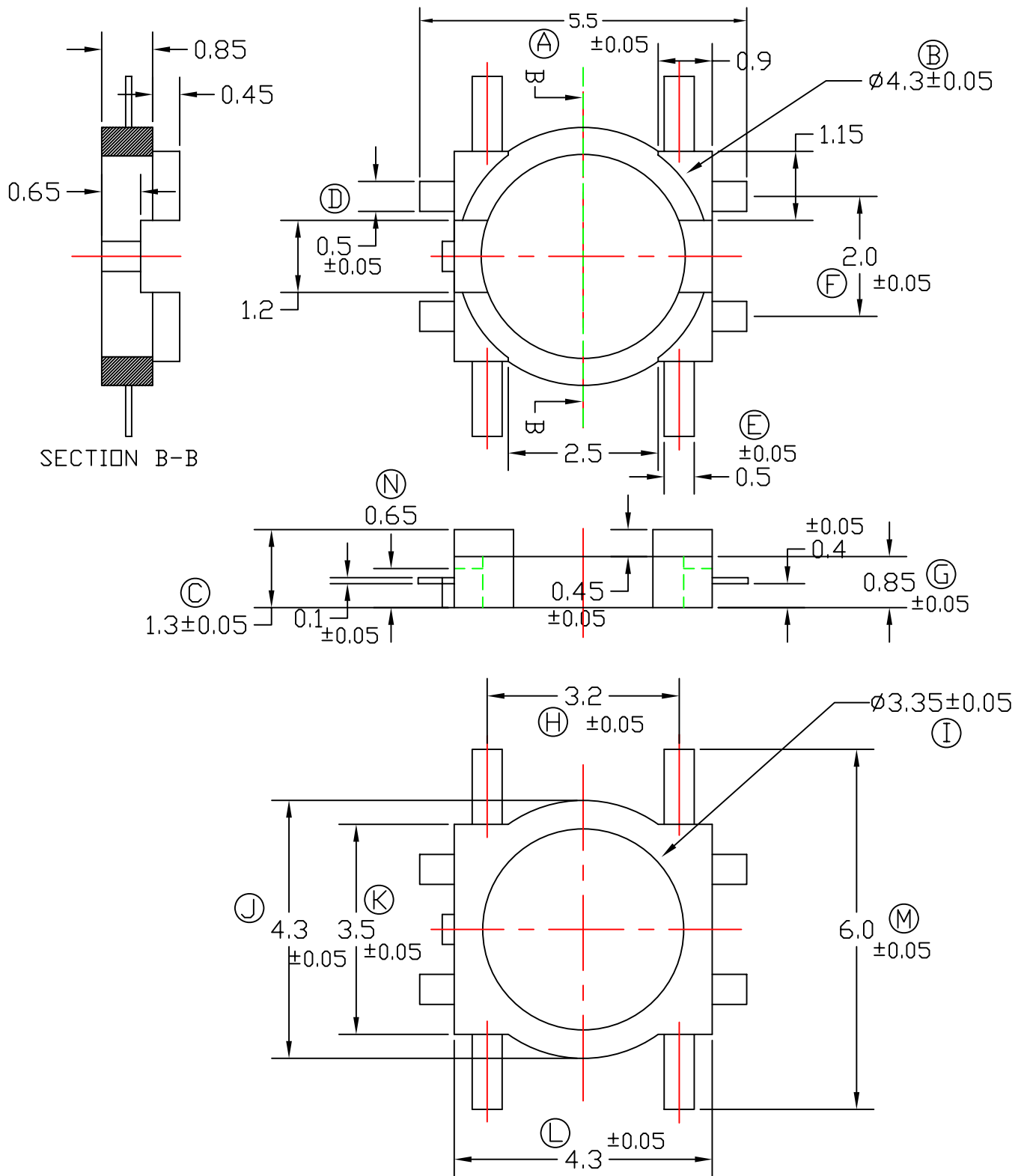
UNIT

X. 0.15

UL 94V-0

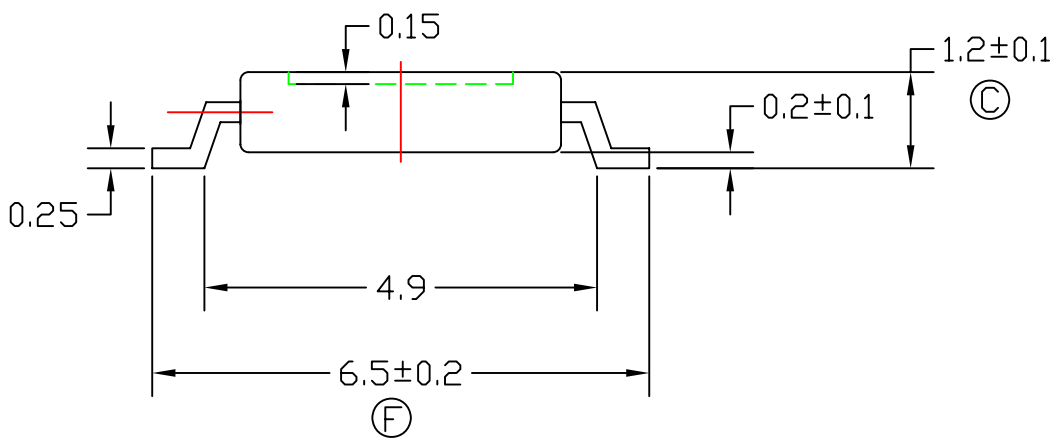
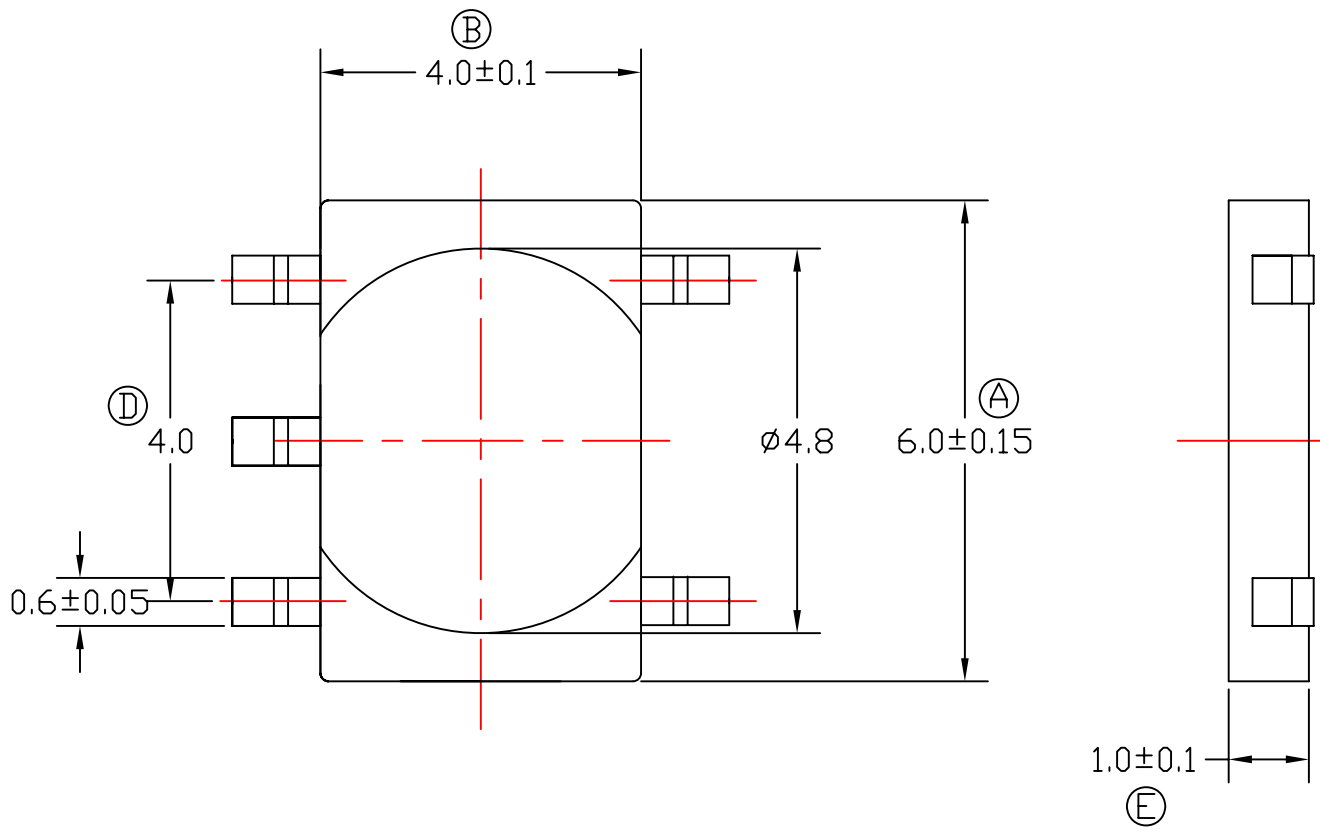
m m

X.X 0.1



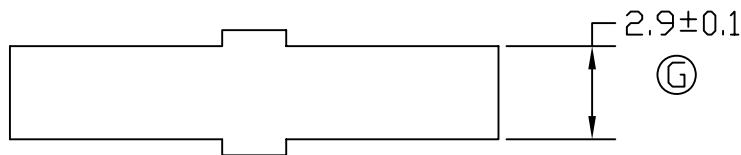
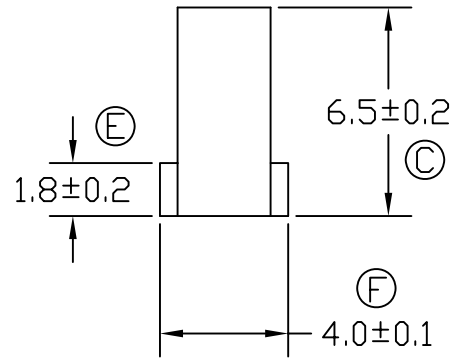
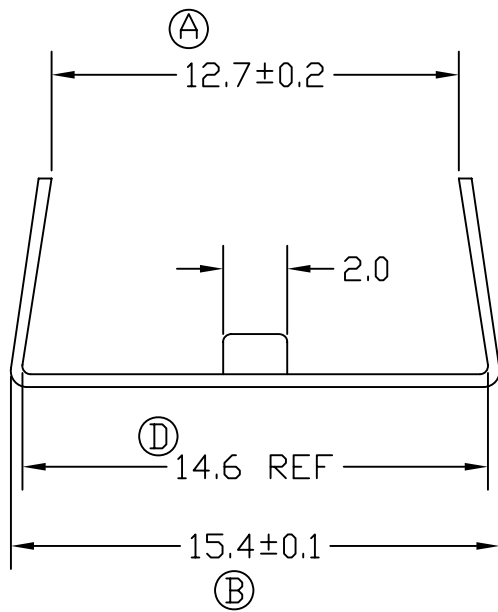
1.MATERIAL PHOSPHOR BRONZE WITH UNDERPLATING 30-50 MICRONS NICKEL
PLATING 120-200 MICRONS 100% TIN

台速工業股份有限公司		FILE NAME	BM-116	
BOBBIN MASTER INDUSTRIAL CO;LTD.		MODEL NAME	CMD4D08	
TEL:(886 2) 2694-3199		MATERIAL	PM9630	
FAX:(886 2) 2694-0947		PIN MATERIAL	PHOSPHOR BRONZE	
REV	01	TOLERANCE	UL REC.	UNIT
	5.3±0.05>5.45±0.05	±0.15	UL 94V-0	m m



台速工業股份有限公司
 BOBBIN MASTER INDUSTRIAL CO;LTD.
 TEL:(886 2) 2694-3199
 FAX:(886 2) 2694-0947
 REV 00

FILE NAME		BM-120	
MODEL NAME		6X3X2 BASE	
MATERIAL		SUMITOMT PM9630	
PIN MATERIAL		NICKEL BRONZE PHOSPHOR BRONZE	
TOLERANCE		UL REC.	UNIT
X.	0.15	UL 94V-0	m m
X.X	0.1		



台速工業股份有限公司

BOBBIN MASTER INDUSTRIAL CO;LTD.

TEL:(886 2) 2694-3199

FAX:(886 2) 2694-0947

REV 00

FILE NAME

BM-121

MODEL NAME

UU 9.8 CLIP

MATERIAL

STAINLESS STEEL

PIN MATERIAL

TOLERANCE

UL REC.

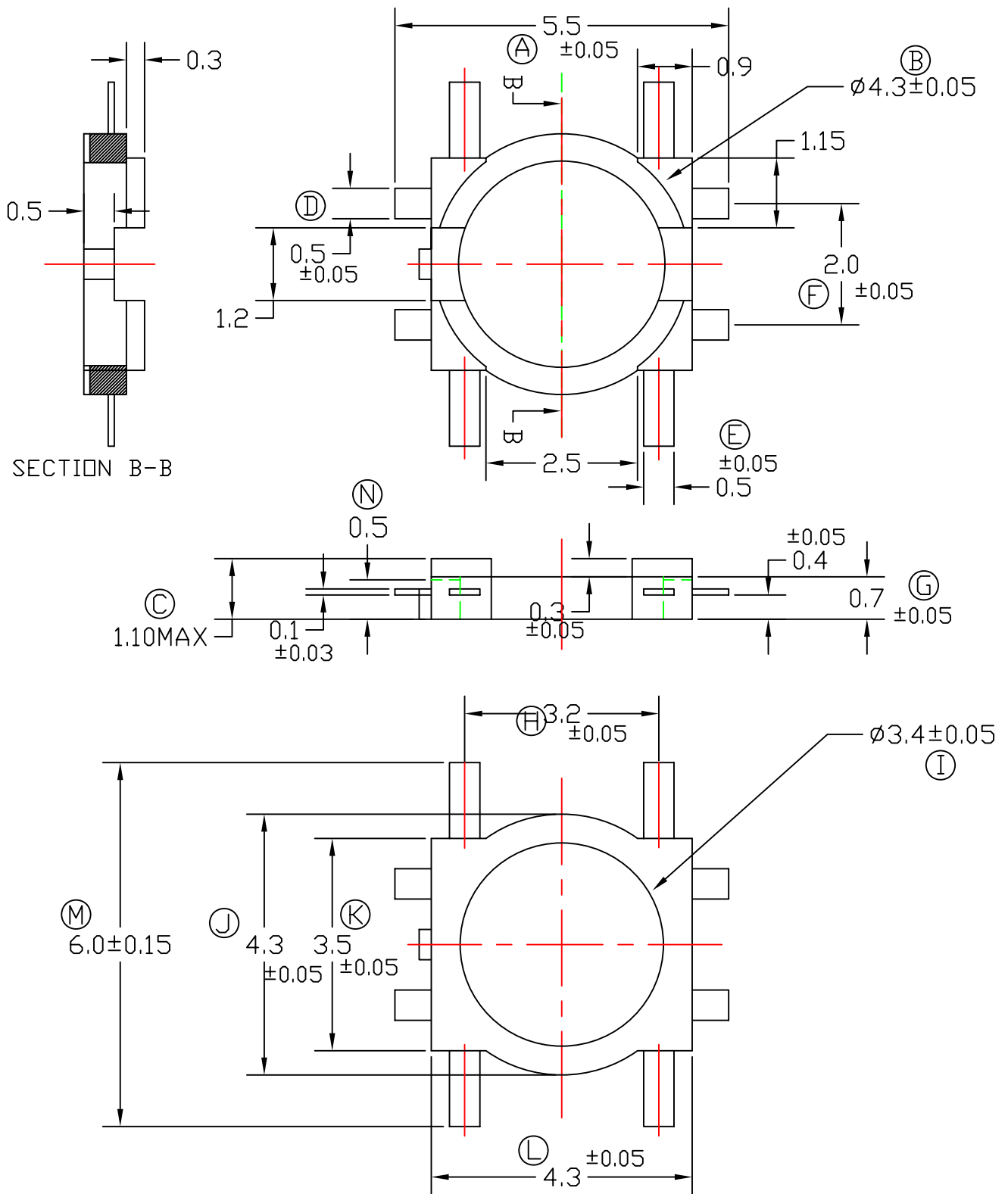
UNIT

X. 0.15

X.X 0.1

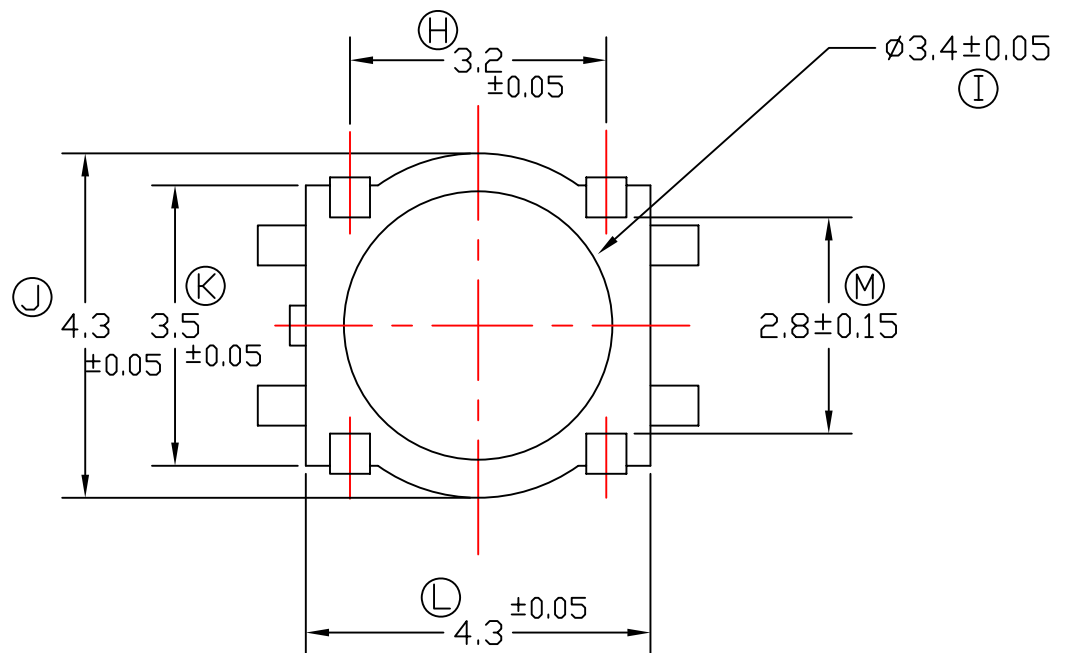
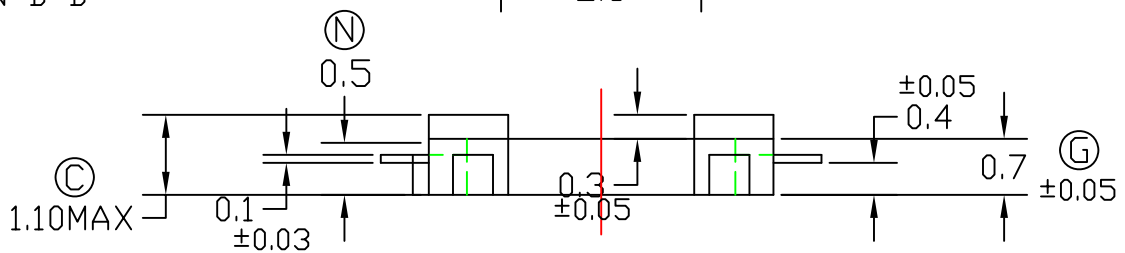
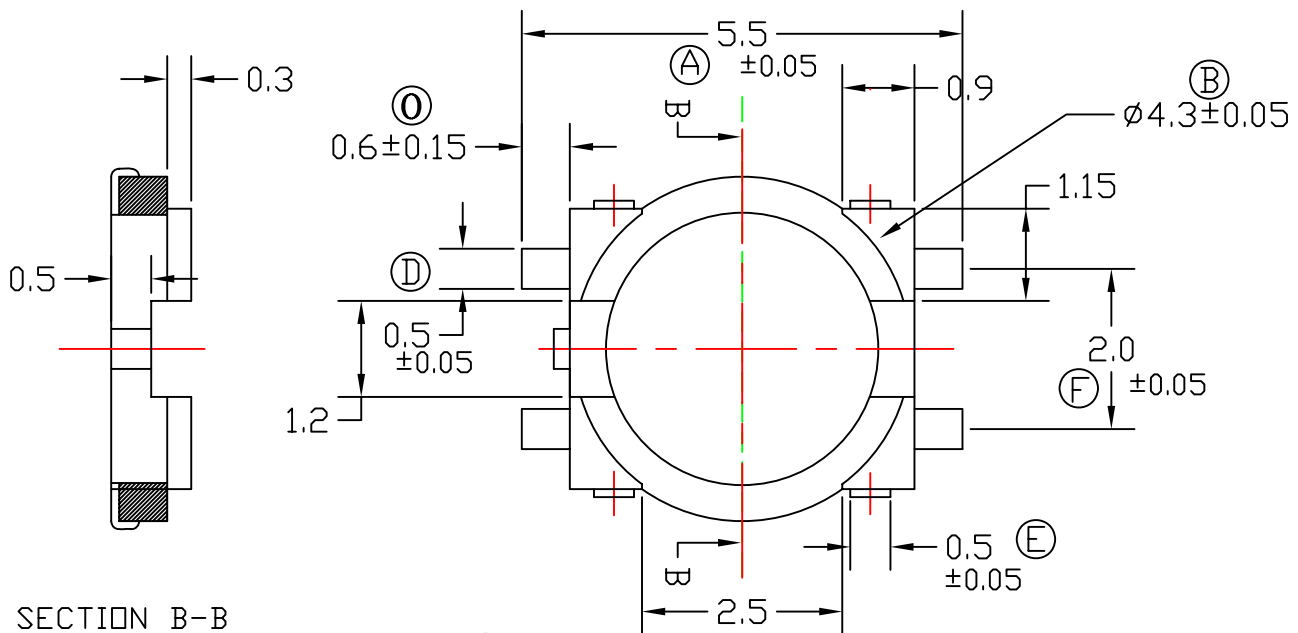
UL 94V-0

m m



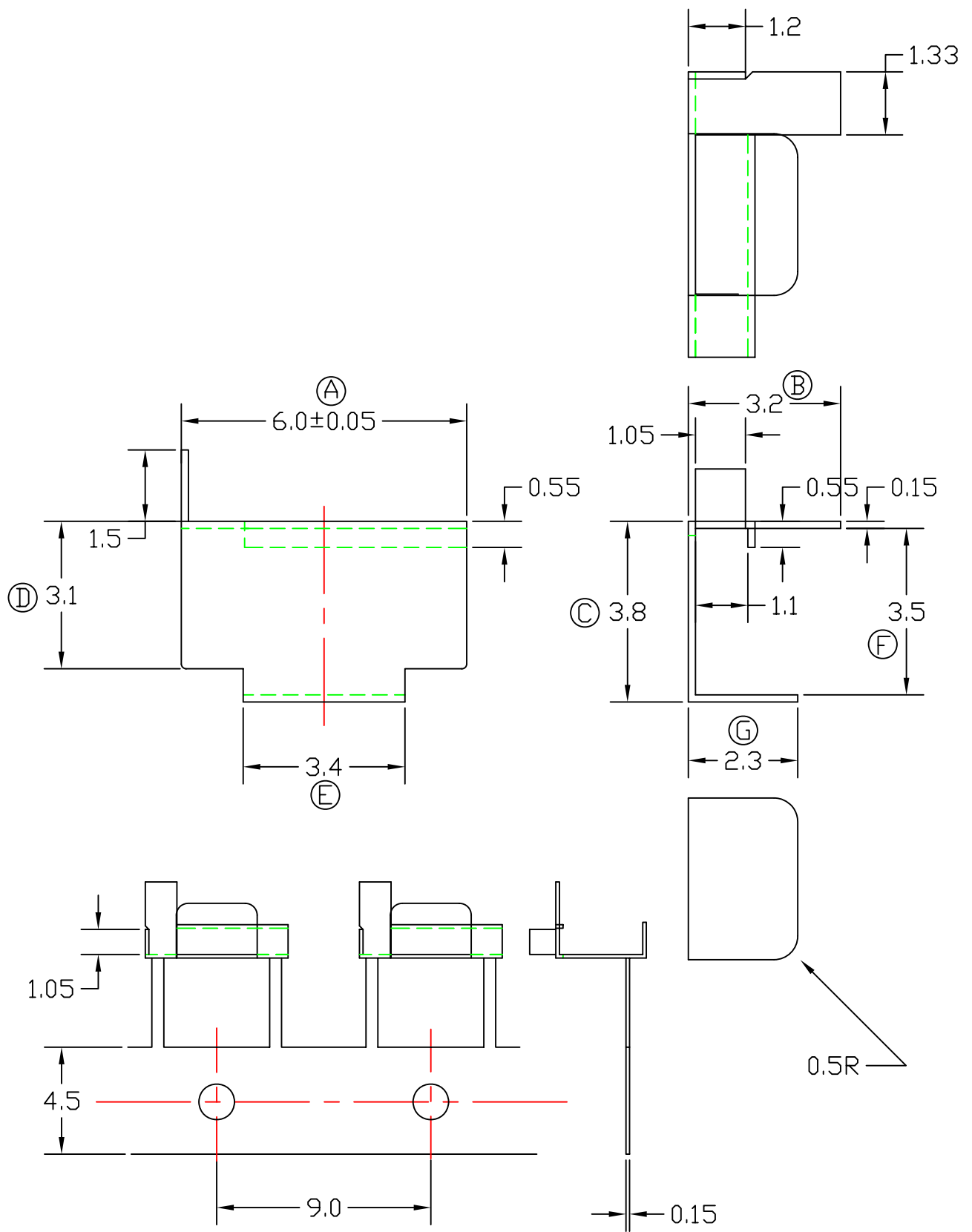
1.MATERIAL PHOSPHOR BRONZE WITH UNDERPLATING 30-50 MICRONS COPPER PLATING 120-200 MICRONS 100% TIN

台速工業股份有限公司		FILE NAME	BM-125	
BOBBIN MASTER INDUSTRIAL CO;LTD.		MODEL NAME	CMD4D06	
TEL:(886 2) 2694-3199		MATERIAL	PM9630	
FAX:(886 2) 2694-0947		PIN MATERIAL	PHOSPHOR BRONZE	
REV	00	TOLERANCE	UL REC.	UNIT
		± 0.15	UL 94V-0	m m



1.MATERIAL PHOSPHOR BRONZE WITH UNDERPLATING 30-50 MICRONS COPPER PLATING 120-200 MICRONS 100% TIN

台速工業股份有限公司		FILE NAME	BM-125-1	
BOBBIN MASTER INDUSTRIAL CO;LTD.		MODEL NAME	CMD4D11	
TEL:(886 2) 2694-3199		MATERIAL	PM9630	
FAX:(886 2) 2694-0947		PIN MATERIAL	PHOSPHOR BRONZE	
REV	00	TOLERANCE	UL REC.	UNIT
		±0.15	UL 94V-0	m m



台速工業股份有限公司

BOBBIN MASTER INDUSTRIAL CO;LTD.

TEL:(886 2) 2694-3199

FAX:(886 2) 2694-0947

REV 00

FILE NAME

BM-127

MODEL NAME

MATERIAL

PIN MATERIAL

紅銅(H) 鍍鎳底霧面純錫

TOLERANCE

UL REC.

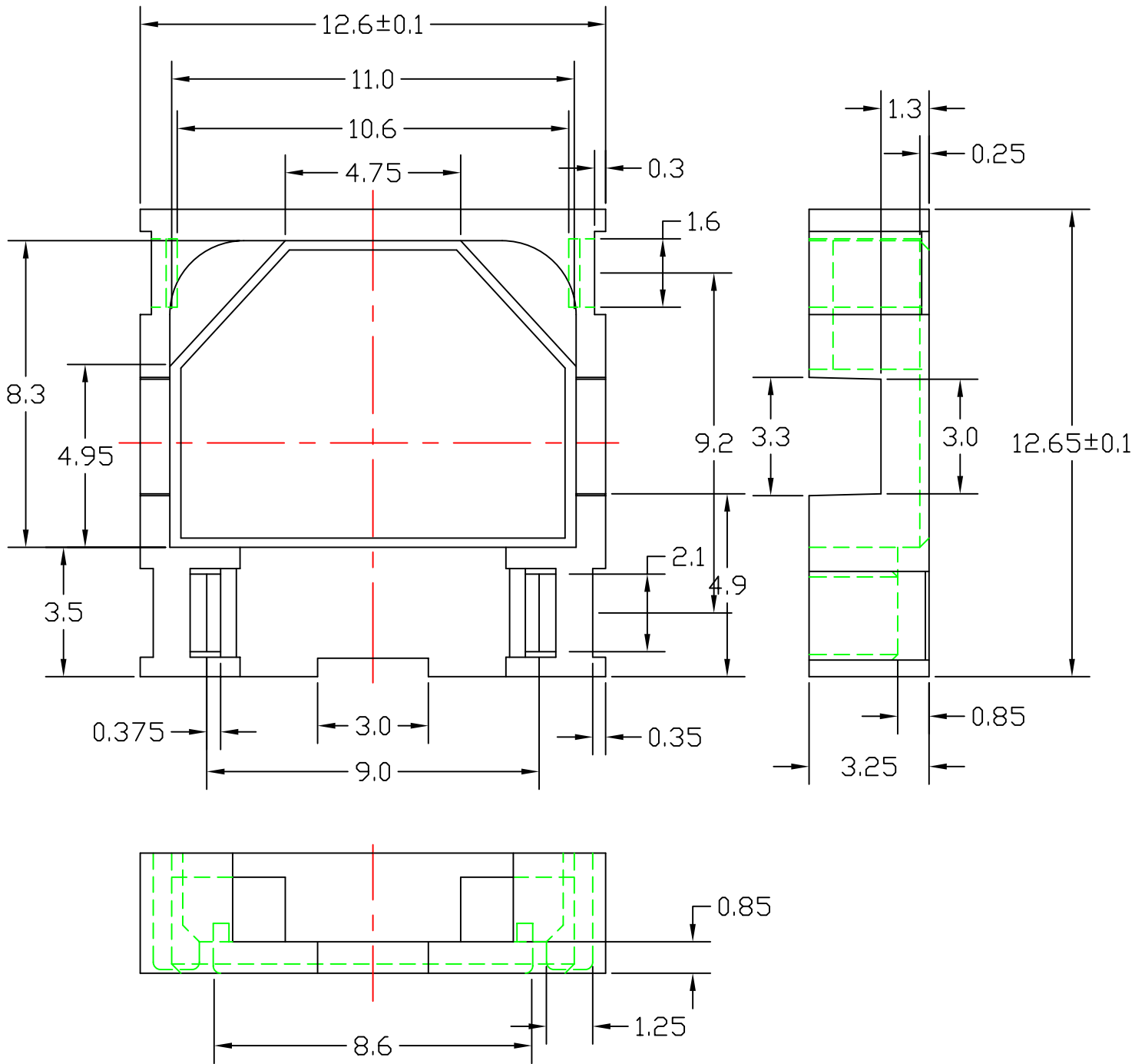
UNIT

X. 0.15

UL 94V-0

m m

X.X 0.1



台速工業股份有限公司

BOBBIN MASTER INDUSTRIAL CO;LTD.

TEL:(886 2) 2694-3199

FAX:(886 2) 2694-0947

REV 00

FILE NAME

BM-129

MODEL NAME

MATERIAL

PIN MATERIAL

NICKEL BRONZE PHOSPHOR BRONZE

TOLERANCE

UL REC.

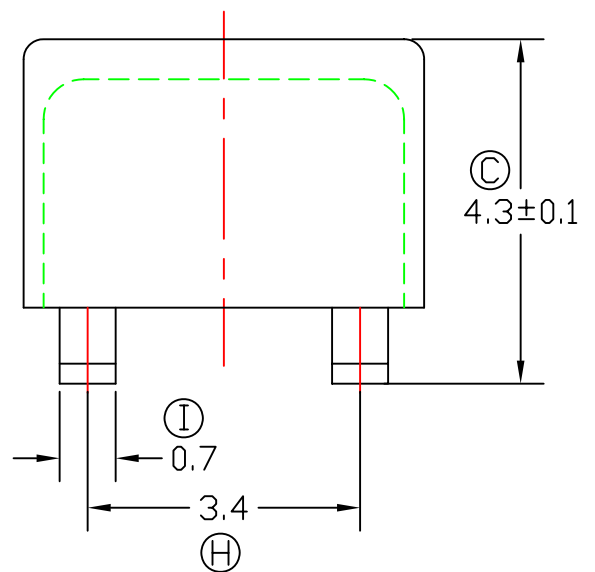
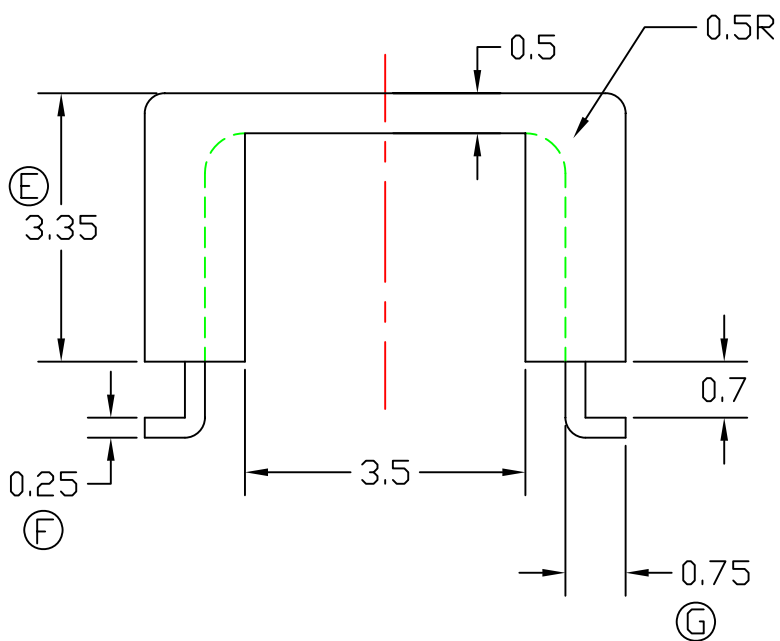
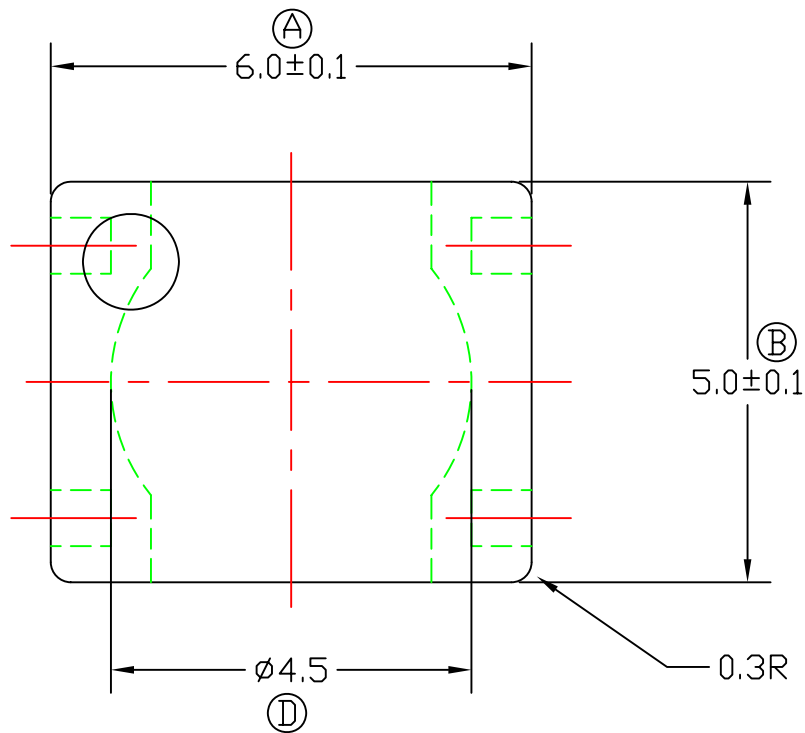
UNIT

X. 0.15

X.X 0.1

UL 94V-0

m m



台速工業股份有限公司

BOBBIN MASTER INDUSTRIAL CO;LTD.

TEL:(886 2) 2694-3199

FAX:(886 2) 2694-0947

REV 00

FILE NAME

BM-137

MODEL NAME

MATERIAL

SUMITOMO E4008

PIN MATERIAL

NICKEL BRONZE PHOSPHOR BRONZE

TOLERANCE

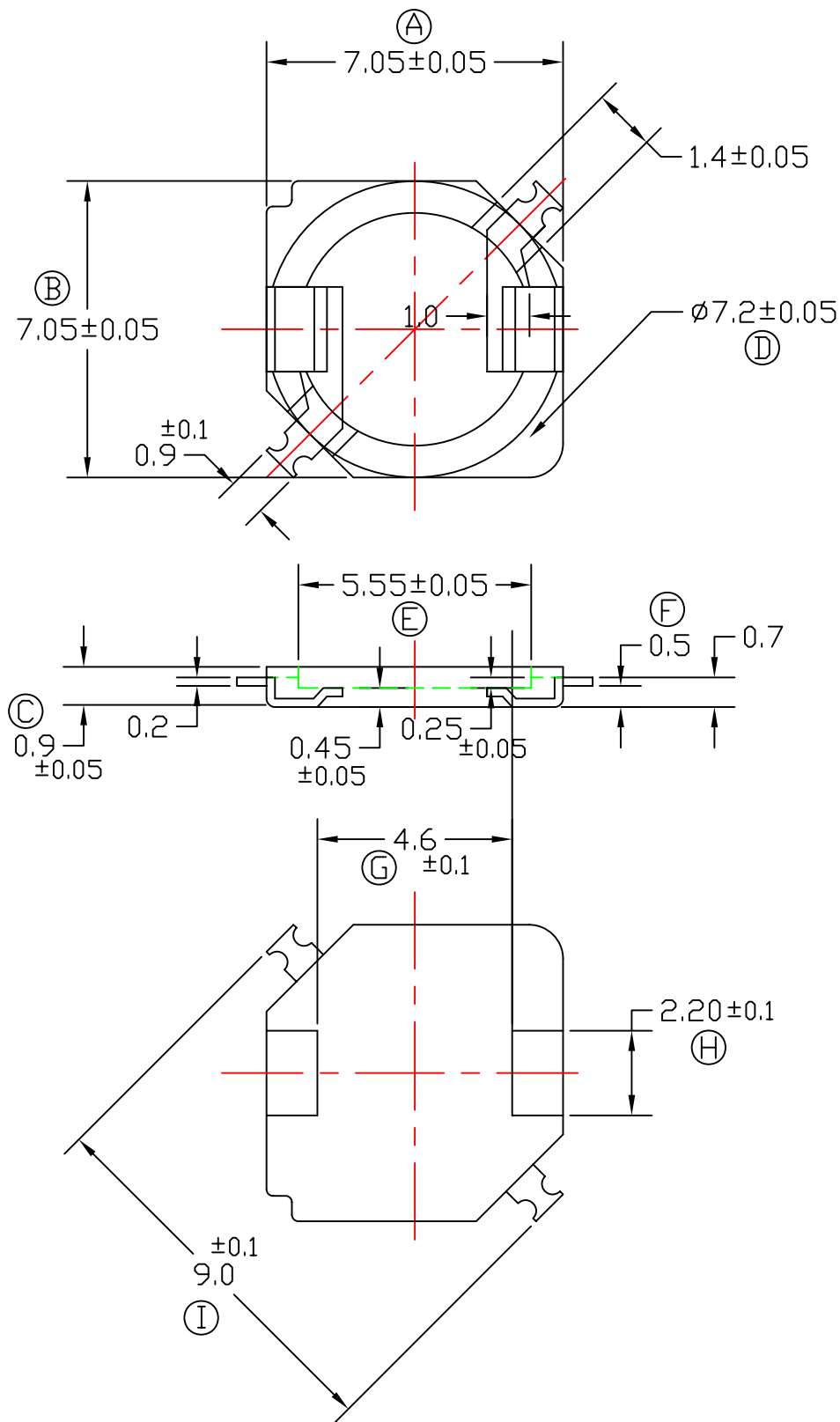
UL REC.

UNIT

±0.15

UL 94V-0

m m



台速工業股份有限公司

BOBBIN MASTER INDUSTRIAL CO;LTD.

TEL:(886 2) 2694-3199

FAX:(886 2) 2694-0947

REV 00

FILE NAME

BM-172

MODEL NAME

MATERIAL

E4008

PIN MATERIAL

NICKEL BRONZE PHOSPHOR BRONZE

TOLERANCE

UL REC.

UNIT

X. 0.15

X.X 0.1

UL 94V-0

m m