

台速工業股份有限公司

BOBBIN MASTER INDUSTRIAL CO;LTD.

TEL:(886 2) 2694-3199

FAX:(886 2) 2694-0947

REV 00

FILE NAME

BMC-01

MODEL NAME

MATERIAL

SUMITOMO E4008

PIN MATERIAL

NICKEL BRONZE PHOSPHOR BRONZE

TOLERANCE

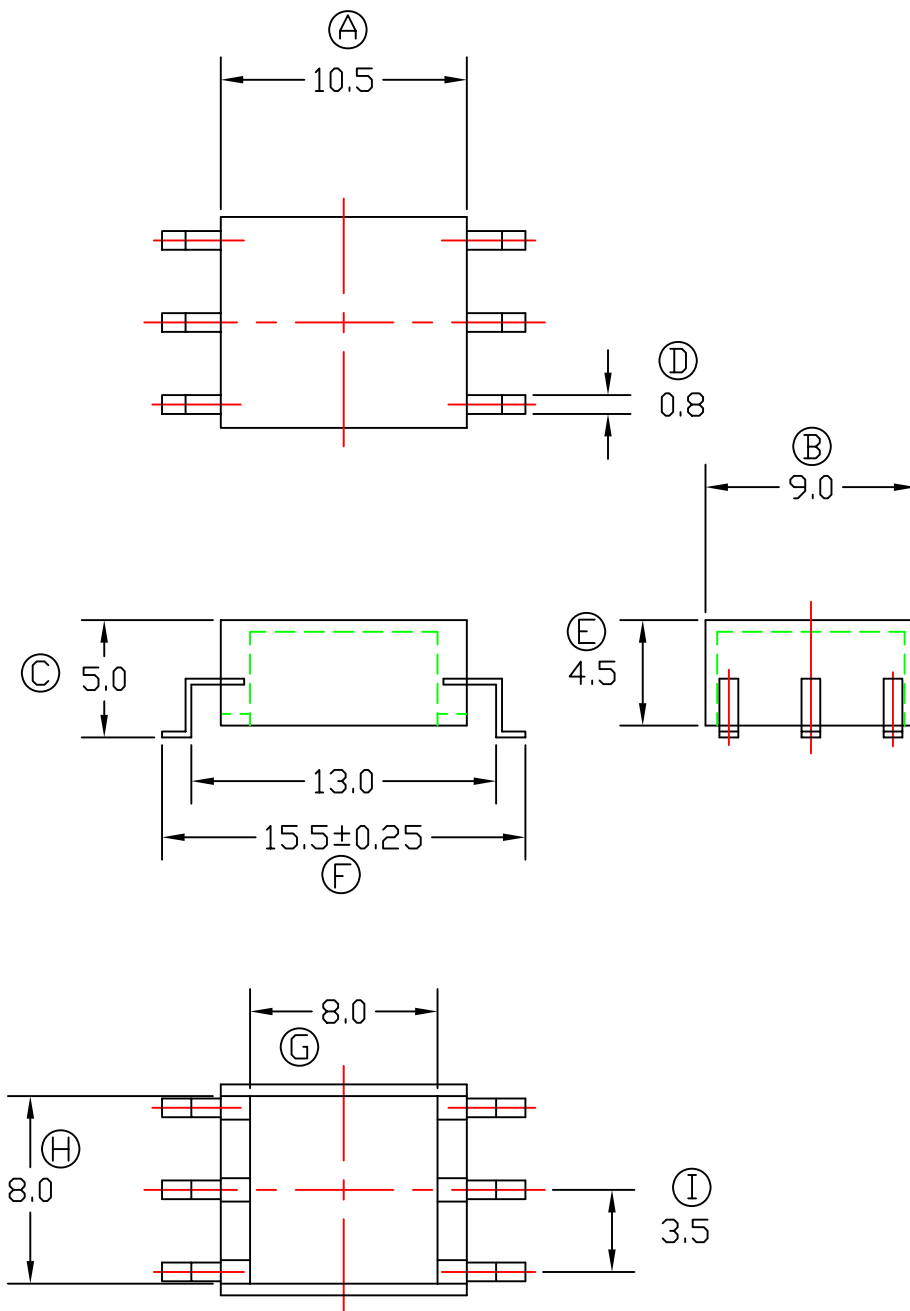
UL REC.

UNIT

± 0.15

UL 94V-0

m m



台速工業股份有限公司

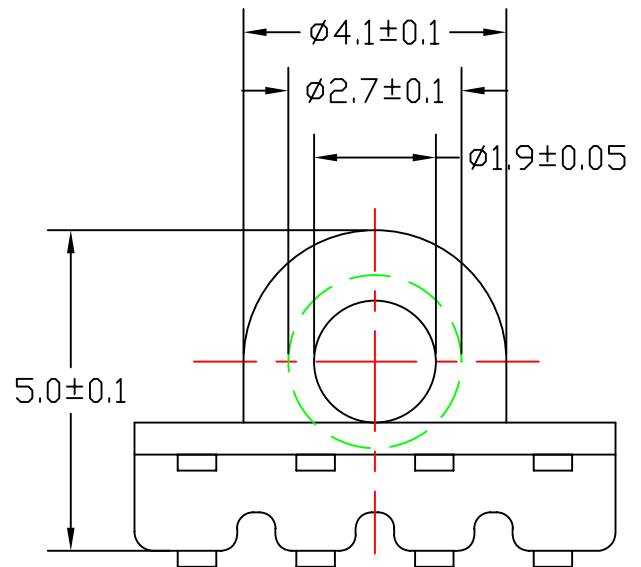
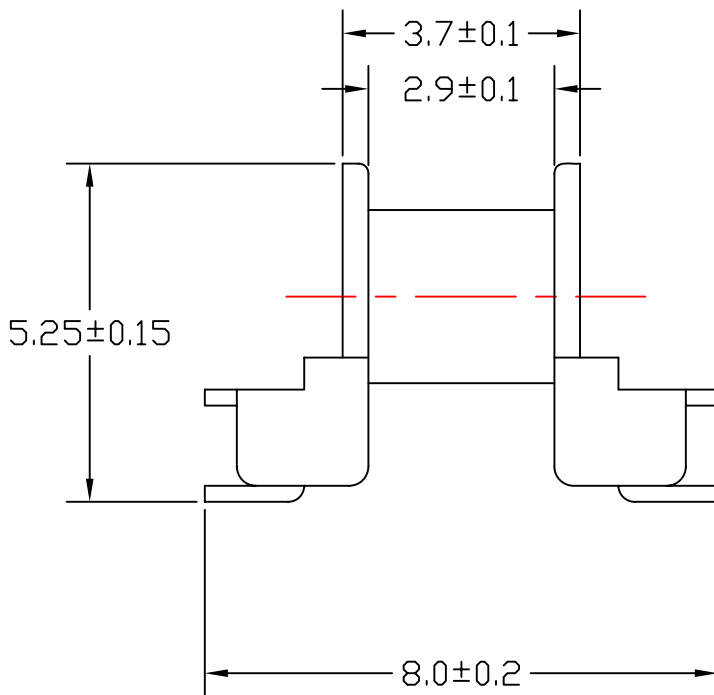
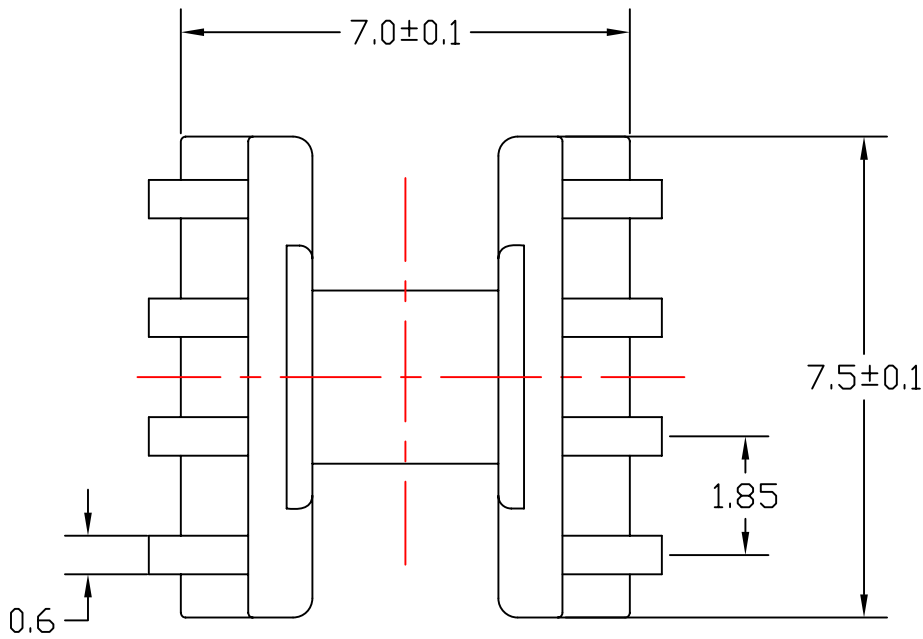
BOBBIN MASTER INDUSTRIAL CO;LTD.

TEL:(886 2) 2694-3199 . 2694-0926

FAX:(886 2) 2694-0947

REV 00

FILE NAME	BMC-002	
MODEL NAME		
MATERIAL	SUMITOMO E4008	
PIN MATERIAL	NICKEL BRONZE PHOSPHOR BRONZE	
TOLERANCE	UL REC.	UNIT
± 0.15	UL 94V-0	m m



台速工業股份有限公司

BOBBIN MASTER INDUSTRIAL CO;LTD.

TEL:(886 2) 2694-3199

FAX:(886 2) 2694-0947

REV 00

FILE NAME

BMC-03

MODEL NAME

EP 5

MATERIAL

SUMITOMO E4008

PIN MATERIAL

NICKEL BRONZE PHOSPHOR BRONZE

TOLERANCE

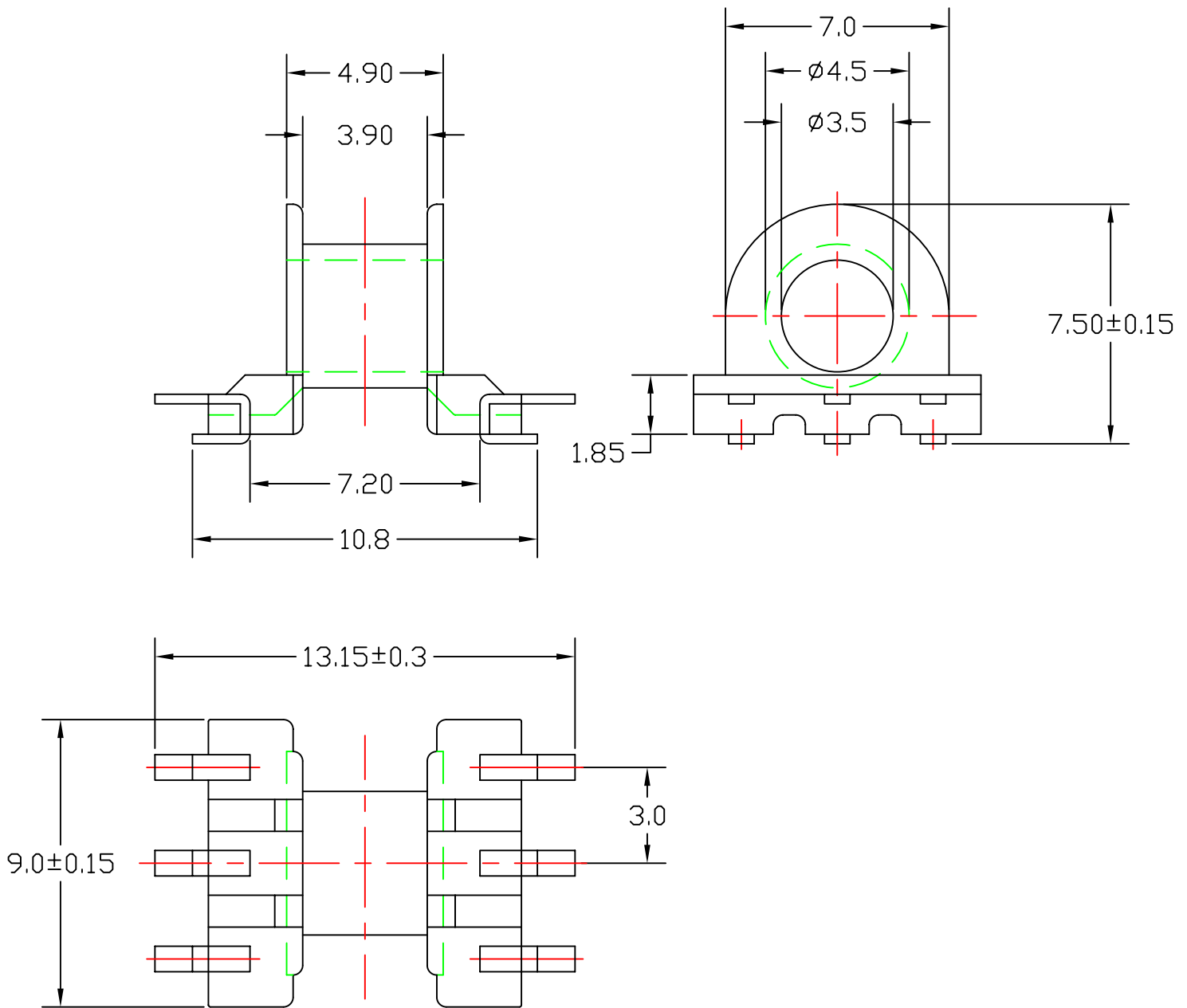
UL REC.

UNIT

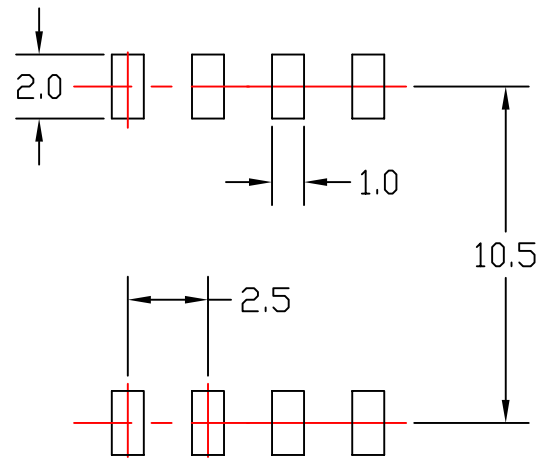
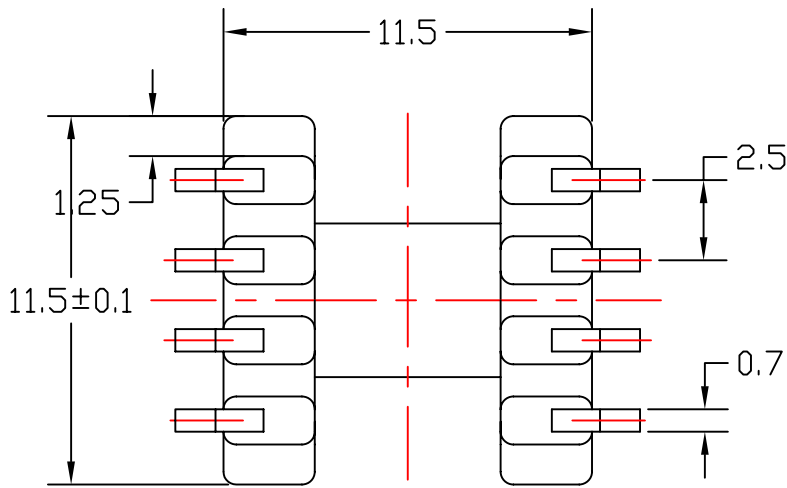
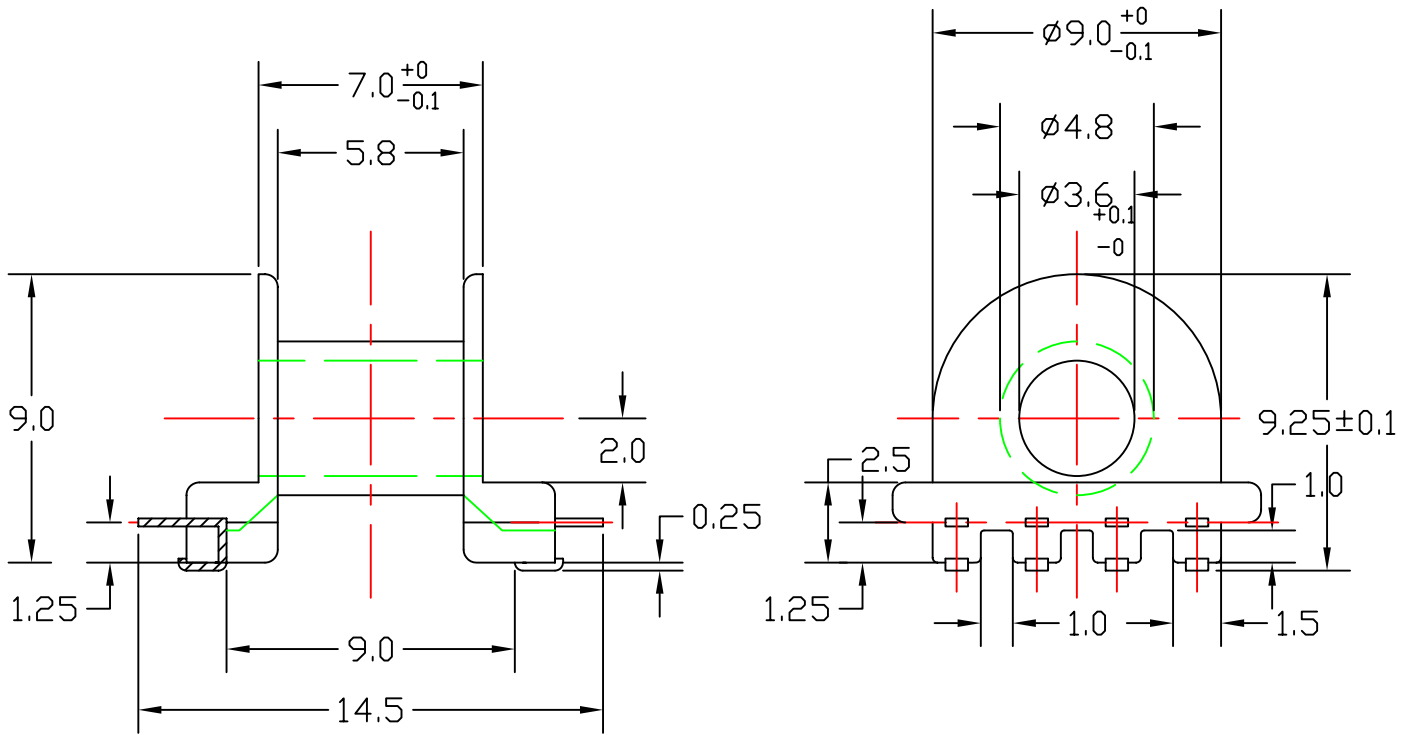
± 0.15

UL 94V-0

m m



台速工業股份有限公司		FILE NAME	BMC-05	
BOBBIN MASTER INDUSTRIAL CO;LTD.		MODEL NAME	EP 7	
TEL:(886 2) 2694-3199		MATERIAL	LCP E4008	
FAX:(886 2) 2694-0947		PIN MATERIAL	NICKEL BRONZE PHOSPHOR BRONZE	
REV	00	TOLERANCE	UL REC.	UNIT
		±0.15	UL 94V-0	m m



THIS SHOULD BE PCB LAYOUT

台速工業股份有限公司

BOBBIN MASTER INDUSTRIAL CO;LTD.

TEL:(886 2) 2694-3199

FAX:(886 2) 2694-0947

REV 00

FILE NAME

BMC-06

MODEL NAME

EP10 SMD BOBBIN

MATERIAL

SUMITOMO E4008

PIN MATERIAL

NICKEL BRONZE PHOSPHOR BRONZE

TOLERANCE

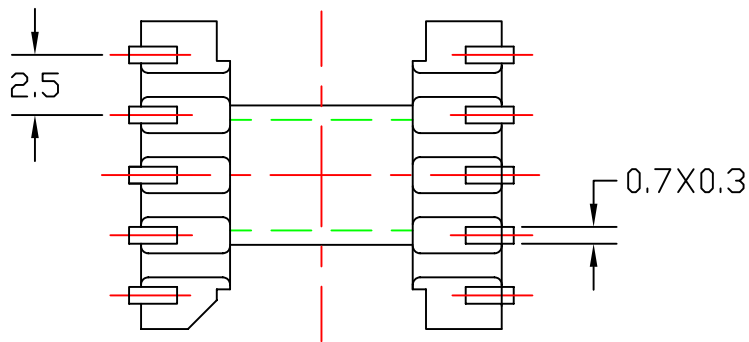
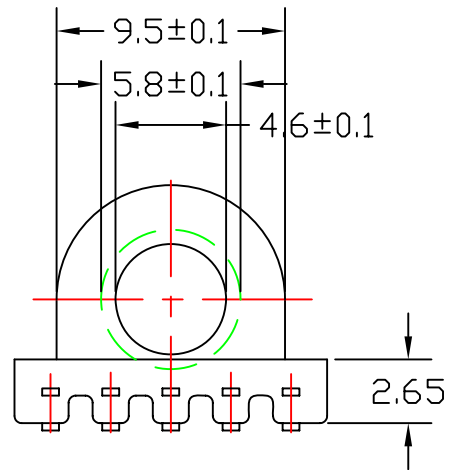
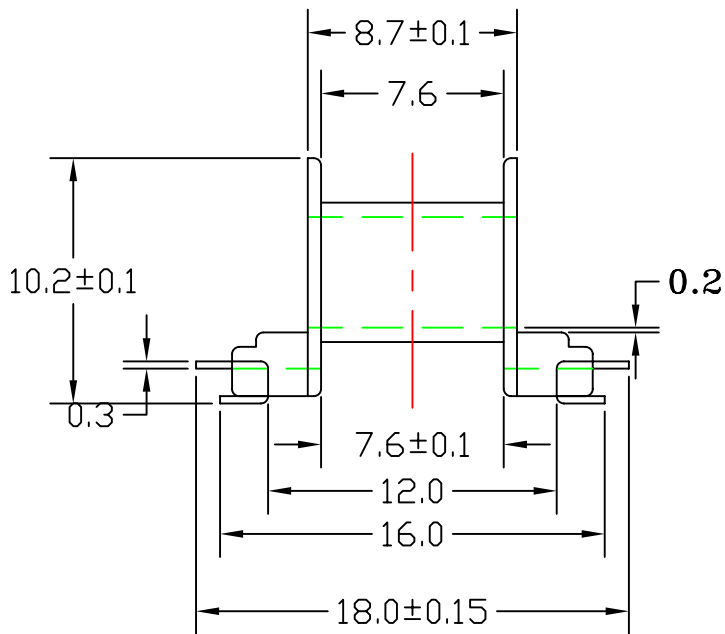
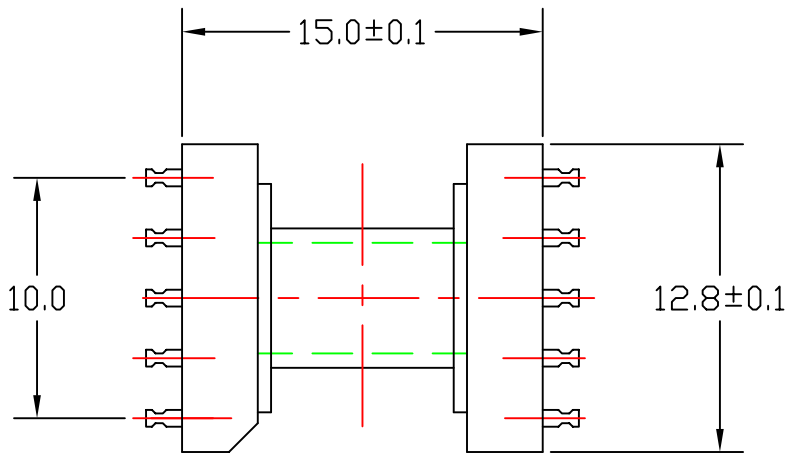
UL REC.

UNIT

±0.15

UL 94V-0

m m



台速工業股份有限公司

BOBBIN MASTER INDUSTRIAL CO;LTD.

TEL:(02) 2694-3199

FAX:(02) 2694-0947

REV 00

FILE NAME

BMC-07

MODEL NAME

EP-13

MATERIAL

L.C.P

PIN MATERIAL

NICKEL BRONZE
PHOSPHOR BRONZE

TOLERANCE

UL REC.

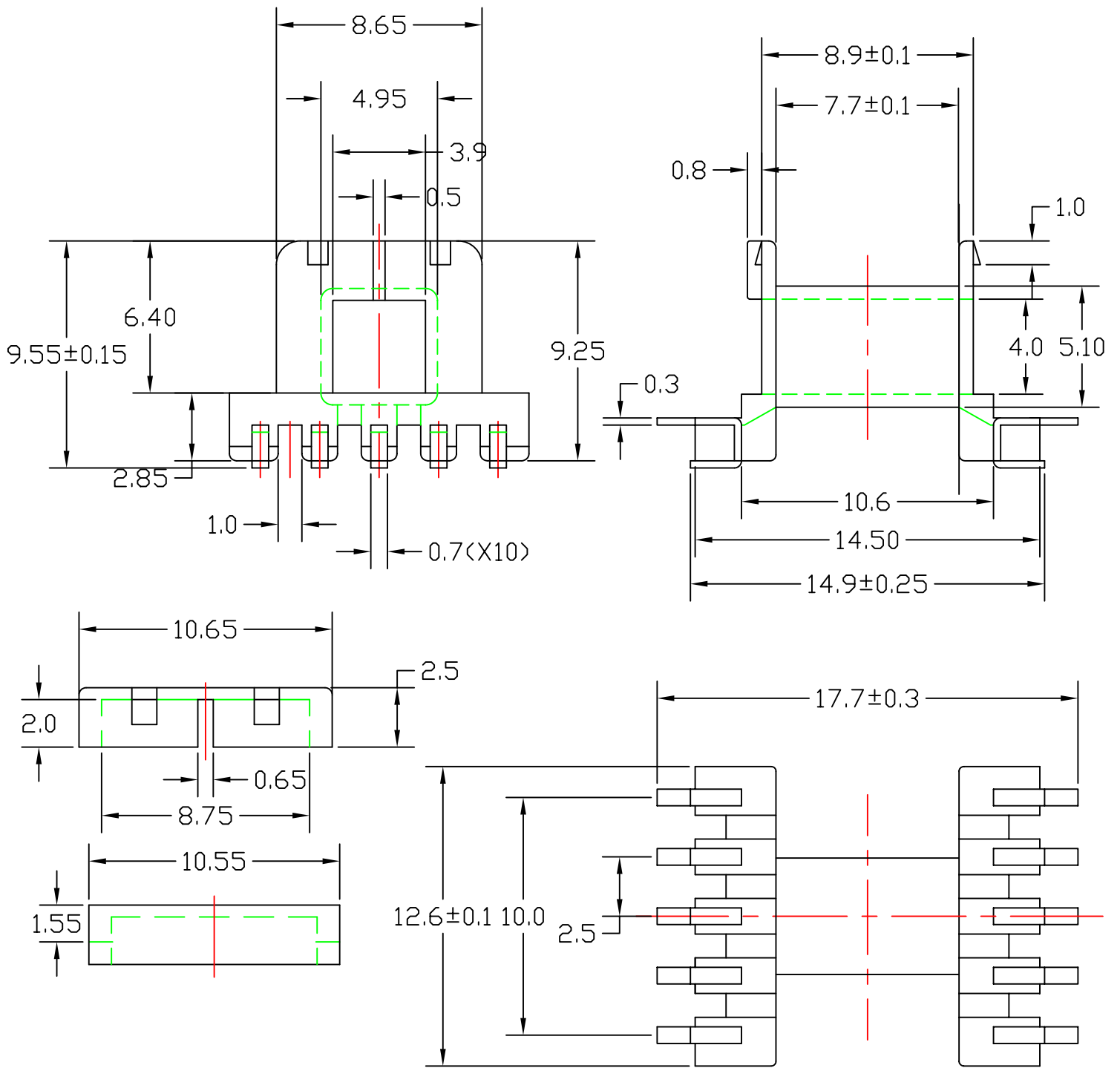
UNIT

X. 0.15

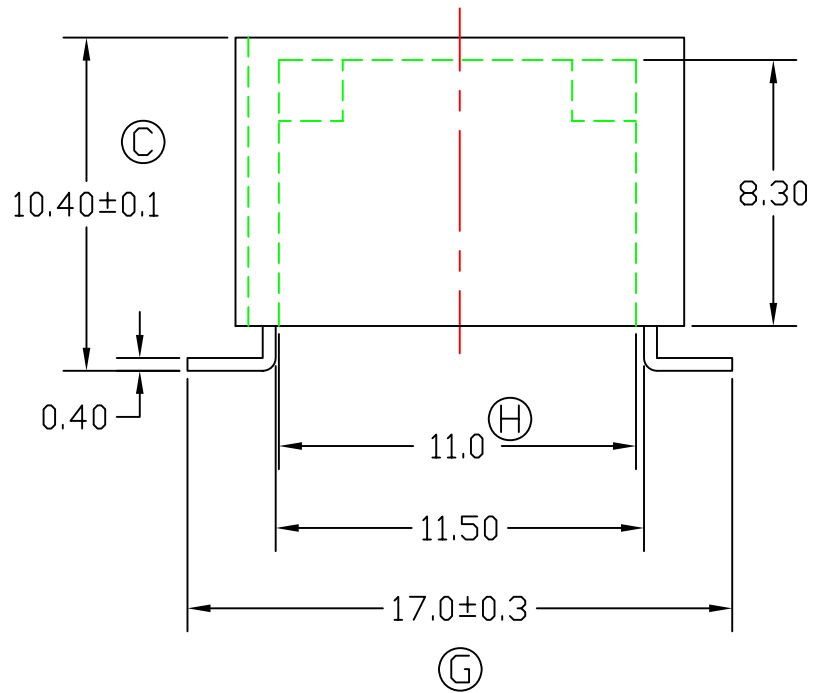
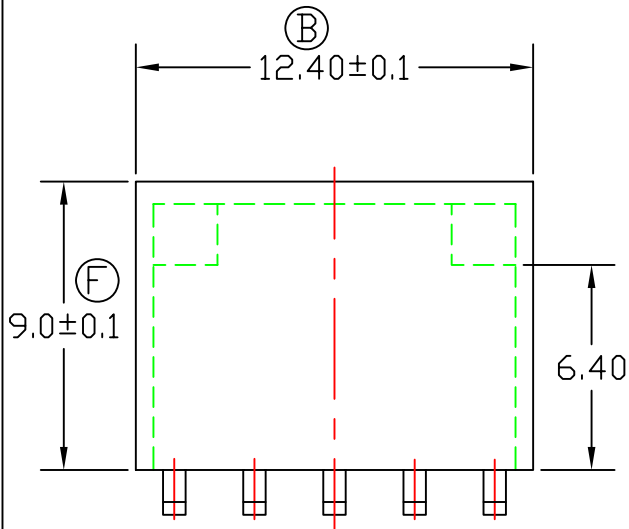
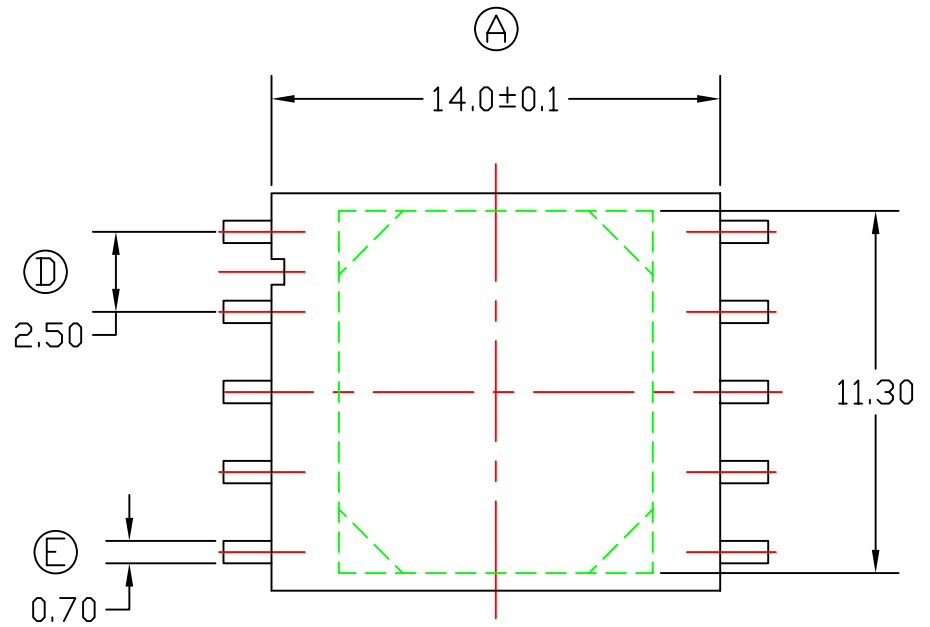
X.X 0.1

UL 94V-0

m m



台速工業股份有限公司			FILE NAME	BMC-08	
BOBBIN MASTER INDUSTRIAL CO;LTD.			MODEL NAME	EF-12.6	
			MATERIAL	SUMITOMO E4008	
			PIN MATERIAL	NICKEL BRONZE PHOSPHOR BRONZE	
TEL:(02) 2694-0926		FAX:(02) 2694-0947	TOLERANCE	UL REC.	UNIT
REV	00		±0.1	UL 94V-0	m m



台速工業股份有限公司

BOBBIN MASTER INDUSTRIAL CO;LTD.

TEL: (02) 2694-0926 FAX: (02) 2694-0947

REV 00

FILE NAME

BMC-09

MODEL NAME

10 PIN COVER BASE

MATERIAL

SUMITOMO E4008

PIN MATERIAL

PHOSPHOR BRONZE

TOLERANCE

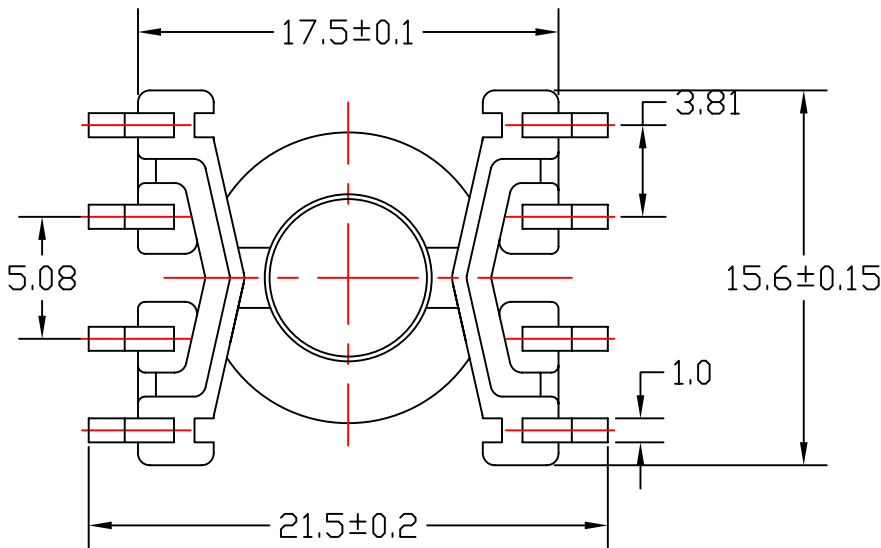
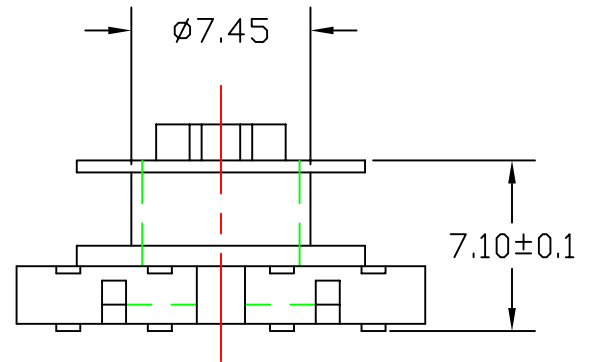
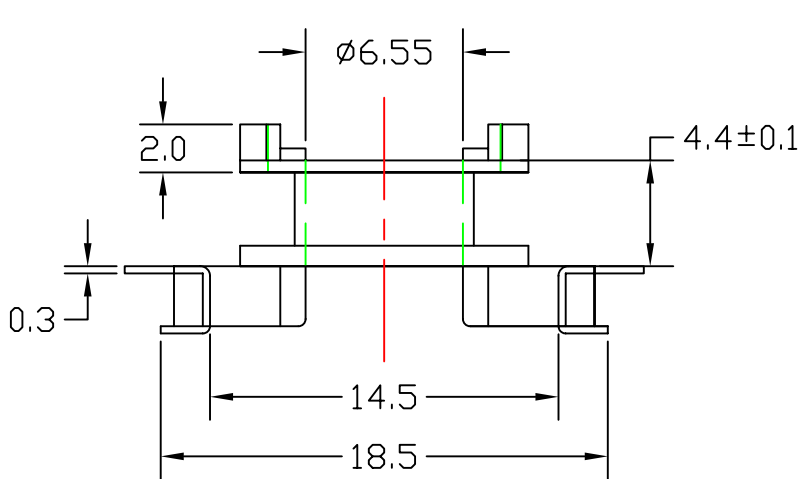
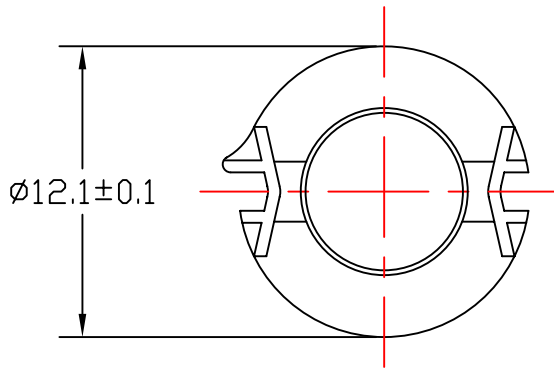
UL REC.

UNIT

±0.1

UL 94V-0

m m



台速工業股份有限公司

BOBBIN MASTER INDUSTRIAL CO;LTD.

TEL:(886 2) 2694-3199

FAX:(886 2) 2694-0947

REV 00

FILE NAME

BMC-09X

MODEL NAME

RM6 8P SMD

MATERIAL

SUMITOMO E4008

PIN MATERIAL

NICKEL BRONZE PHOSPHOR BRONZE

TOLERANCE

UL REC.

UNIT

±0.15

UL 94V-0

m m