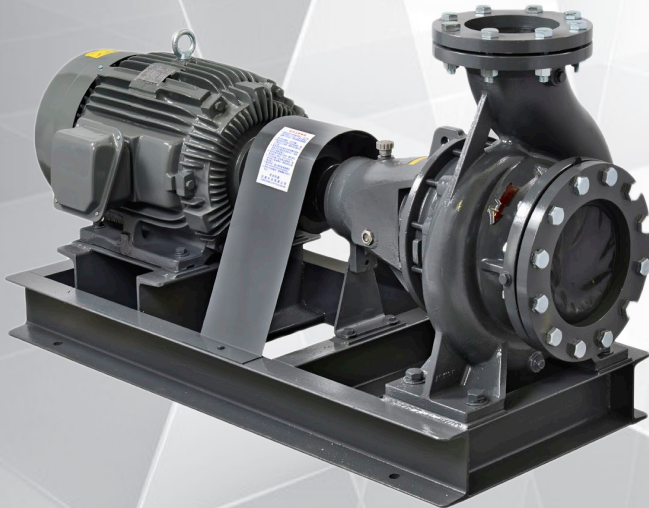
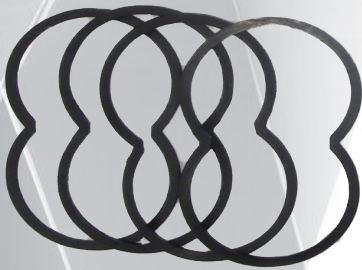
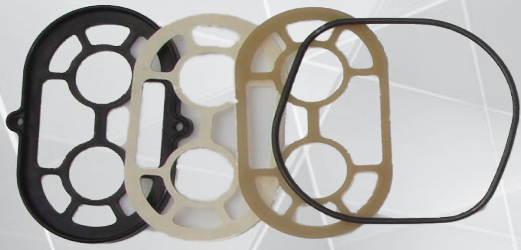




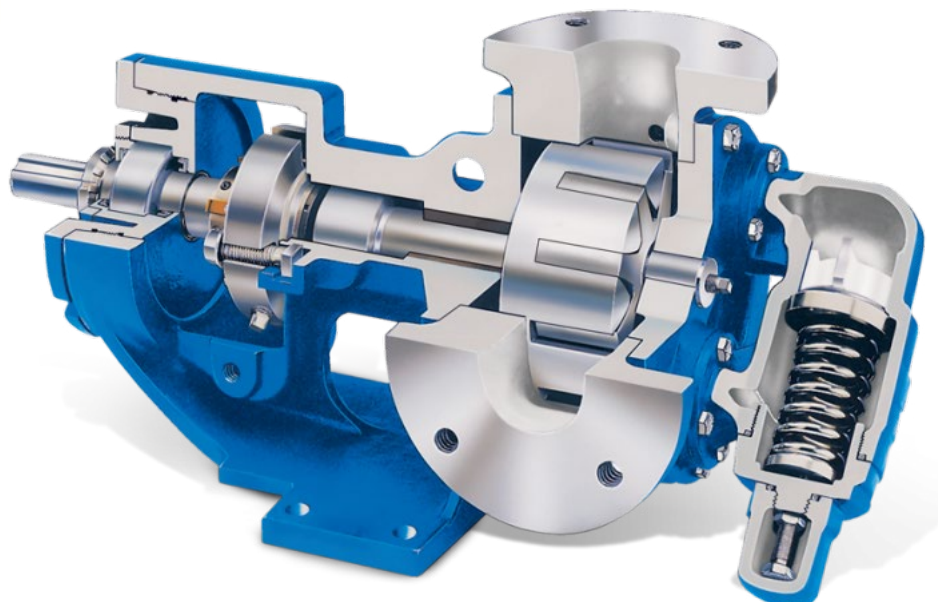
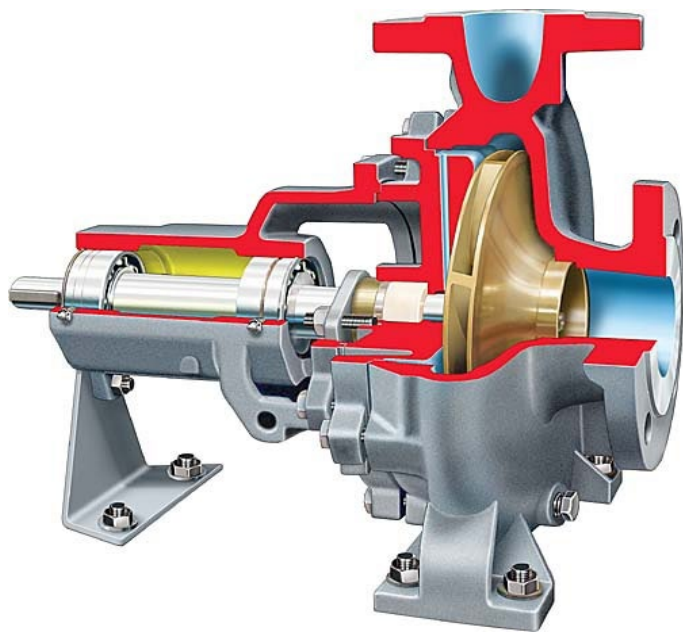
# Product Information

## WSI Sealing Solutions for Pumps

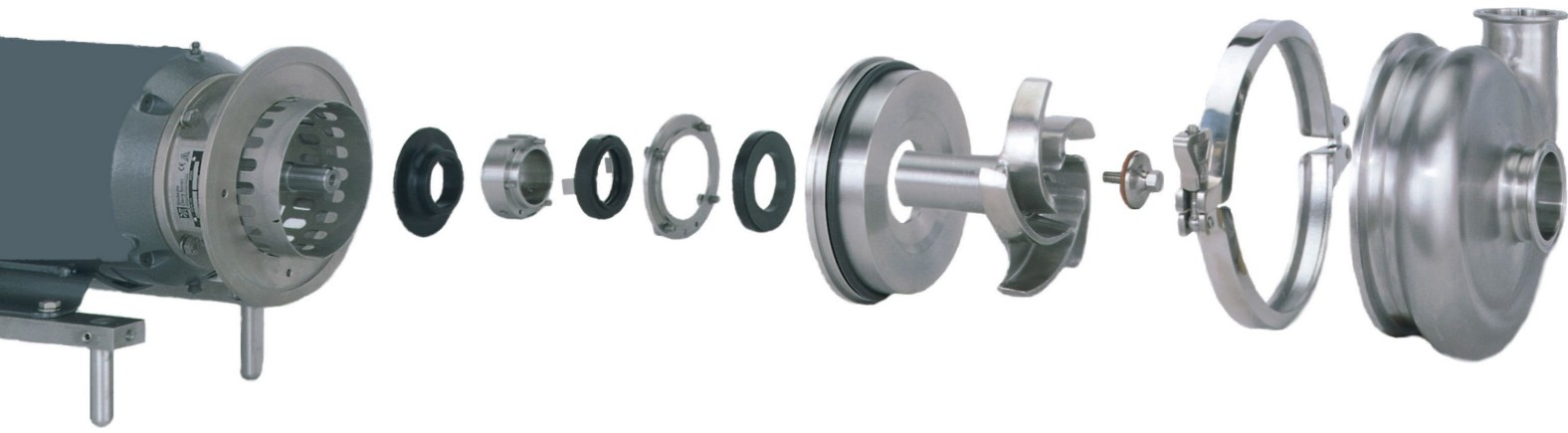


## Customization Sealing Solutions for Pumps

Pumps are used for a wide range of applications to move fluids, such as liquids, gases or slurries and etc. Water Pumps, Hydraulic Pumps, Vacuum Pumps and various miscellaneous pumps are designed to satisfy customer requirements for higher pressure, quiet operation, long life, and a full range of options and features. When customers encounter special operating conditions, it becomes critical of material selection for sealing products to succeed the application. WSI provides customization dimensions and designs with different nuances of quality materials in NBR, HNBR, VITON, PTFE and etc. According to the different Size, Temperature, Application, Media, Pressure, Speed and installation process of operating conditions, we provide sealing solutions for pumps including seals, rings, gaskets and other elastomeric compounds.

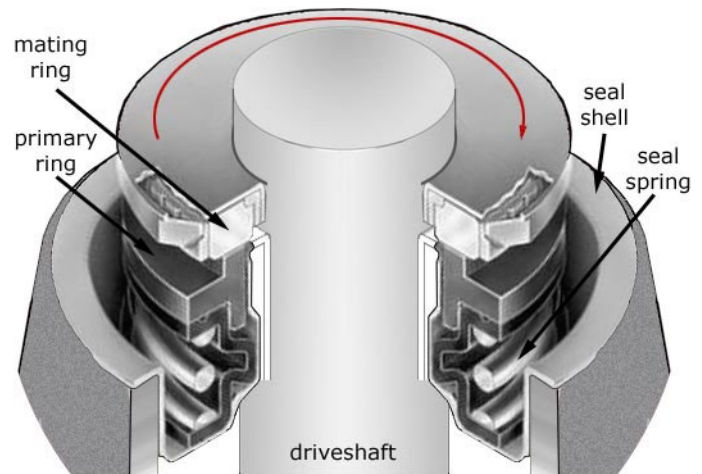
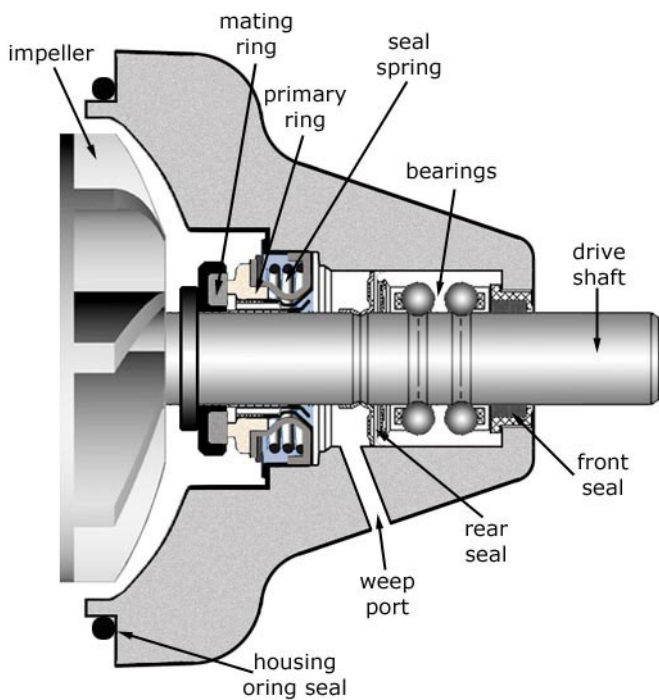


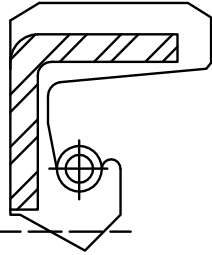
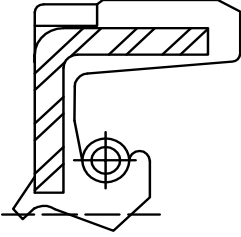
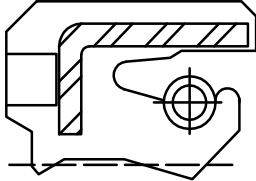
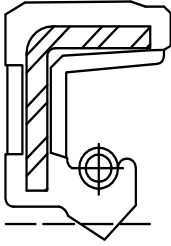
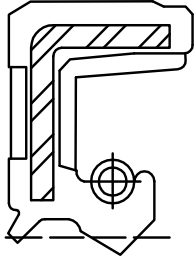
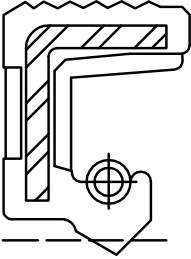
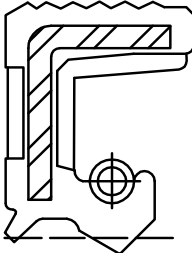
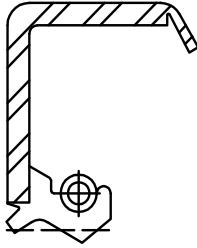
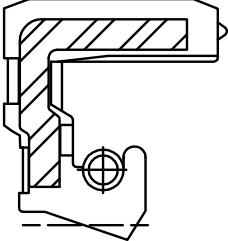
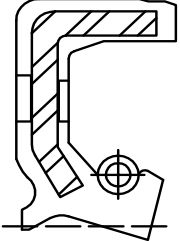
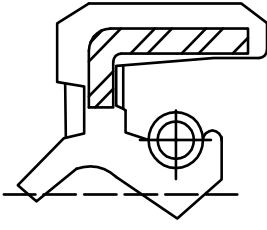
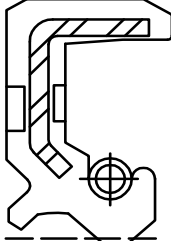
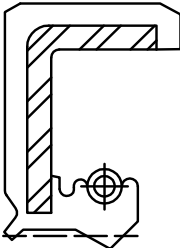
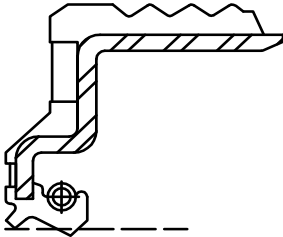
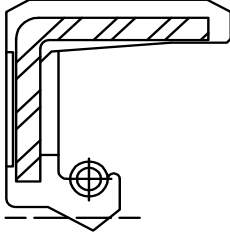
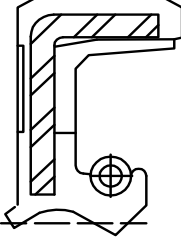
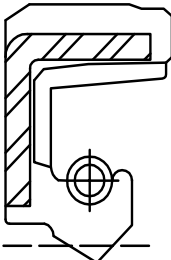
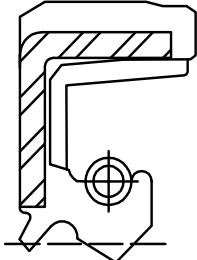
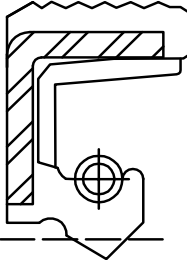
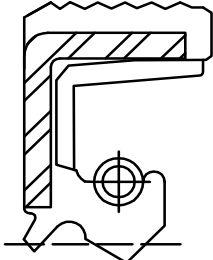




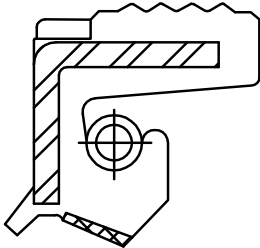
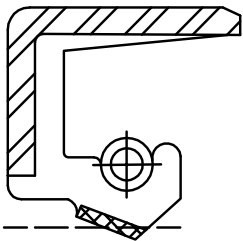
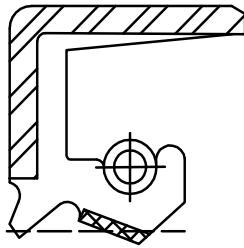
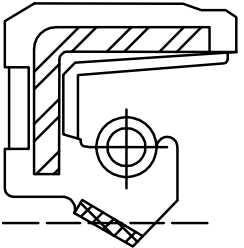
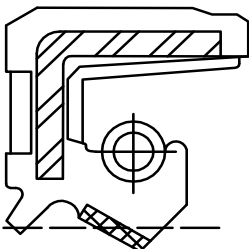
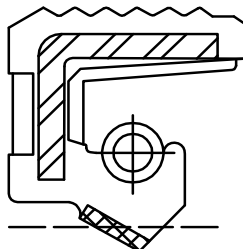
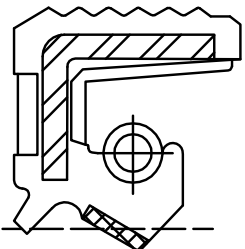
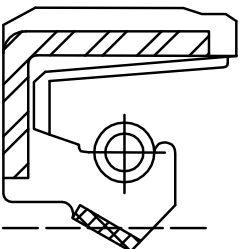
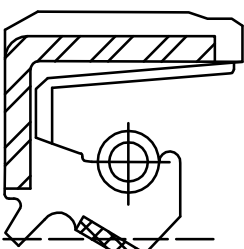
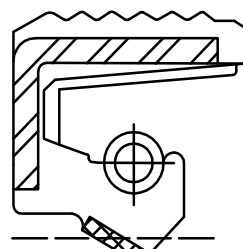
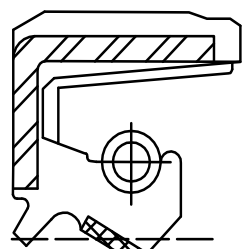
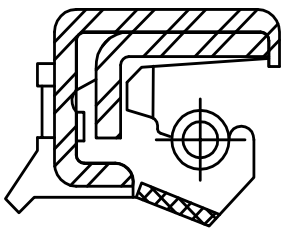
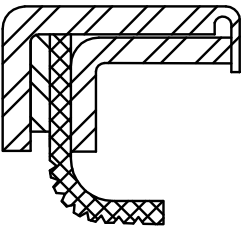
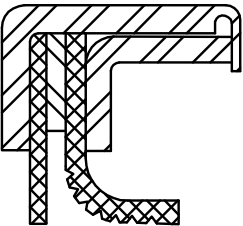
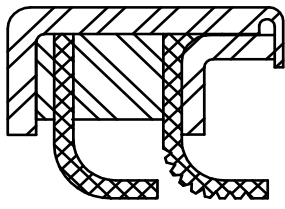
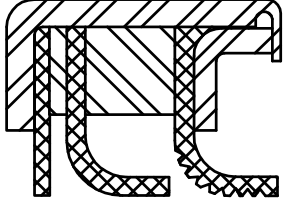
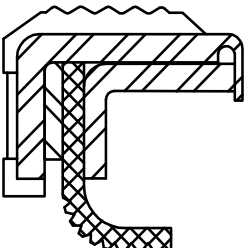
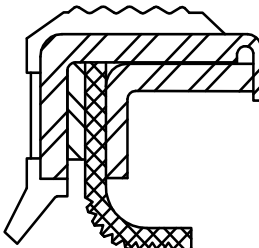
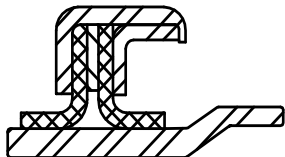
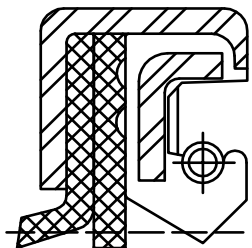
**WSI N Type Pressure Seals are widely used in pumps for agriculture, water treatment, chemical industry, construction, refinery, food industry and etc. With high performance materials, some designs are incorporated with a backup ring to reinforce the sealing lip and some designs with PTFE bonded sealing lip to reduce shaft abrasion.**

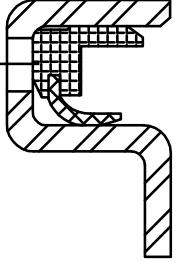
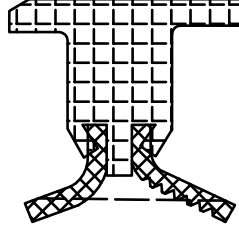
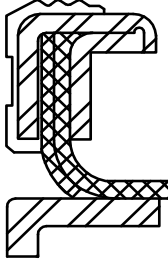
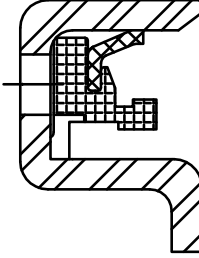
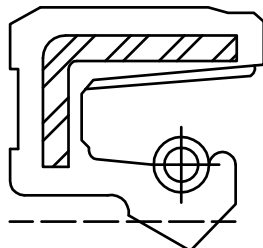
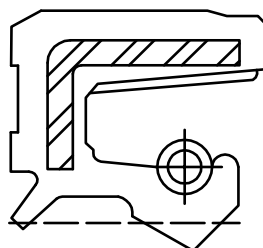
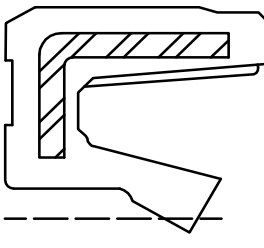
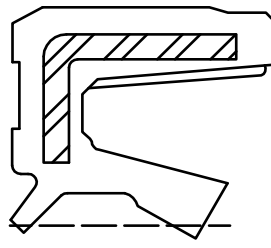
**More technical information and customization designs are available upon request. Please contact us for more information.**



<b>SCN</b>	<b>TCN</b>	<b>TCN7</b>	<b>SCN1</b>
			
<b>TCN1</b>	<b>SGN1</b>	<b>TGN1</b>	<b>TLN1</b>
			
<b>SCN15</b>	<b>TCN12</b>	<b>TCN13</b>	<b>TCN15</b>
			
<b>TCN17</b>	<b>TGN13</b>	<b>SCN11</b>	<b>TCN11</b>
			
<b>SCN2</b>	<b>TCN2</b>	<b>SGN2</b>	<b>TGN2</b>
			

<b>TCN21</b>	<b>TZN22</b>	<b>SGN4</b>	<b>TCN4</b>
<b>SDN</b>	<b>TDN</b>	<b>SDN1</b>	<b>TDN1</b>
<b>TAN31</b>	<b>TAN32</b>	<b>TAN33</b>	<b>SEA</b>
<b>SEB</b>	<b>SEC</b>	<b>SEM</b>	<b>TEA</b>
<b>TEB</b>	<b>TEC</b>	<b>TEM</b>	<b>TCN-PL</b>

<b>TGN-PL</b>	<b>SMN1-PL</b>	<b>TMN1-PL</b>	<b>SCN1-PL</b>
			
<b>TCN1-PL</b>	<b>SGN1-PL</b>	<b>TGN1-PL</b>	<b>SCN2-PL</b>
			
<b>TCN2-PL</b>	<b>SGN2-PL</b>	<b>TGN2-PL</b>	<b>TBN3-PL</b>
			
<b>PA1</b>	<b>PA2</b>	<b>PA3</b>	<b>PA4</b>
			
<b>PA5</b>	<b>PA6</b>	<b>PA7</b>	<b>PA9</b>
			

PA14	PA15	PA17	OPA1
			
SF	TF	VF	KF
			



**WELL OIL SEAL INDUSTRIAL CO., LTD**

ISO 9001 : 2008

Tel: +886-4-8651759

Fax: +886-4-8652883

Website: [www.wsioilseal.com.tw](http://www.wsioilseal.com.tw)

E-mail: [sales@wsioilseal.com.tw](mailto:sales@wsioilseal.com.tw)