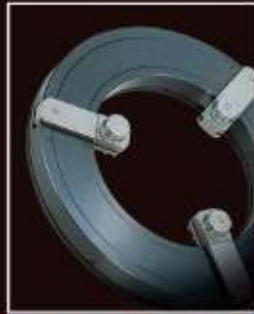


TAIKI®



SOFT JAWS



**JAW BORING
FIXTURES (TL-TYPE)**



HARD JAWS



**JAW BORING
RINGS (JB-TYPE)**



JAW T-NUTS



**SOFT JAWS & ACCESSORIES
OF POWER CHUCKS**





COMPANY PROFILE

TAIKI was founded in 1975. Since then, **TAIKI** has become the specialist in manufacturing soft jaws for all popular power chucks and other accessories of chucks.

In 1985, **TAIKI** expanded the production line to set up a Research & Develop Department in order to provide professional and multiply service to customers. **TAIKI** always regard innovation as a challenge.

We have over 40 years experience in integrated manufacturing. Innovative ability to create Steel, Aluminum and POM. With everlasting efforts, **TAIKI** has been in a leading position in the production of soft jaws.

TAIKI always tries the best to satisfy customer's demands and promote their efficiency. Providing the best quality, varied specifications and reasonable price is TAIKI's goal in business.



Management & Concept:

▶▶ / LEADING

- **TAIKI** are the largest for Soft Jaws & Accessories of Power Chuck in Taiwan.
- Offering first class manufacturing facilities with chuck Jaws field.



▶▶ / PROFESSIONAL

- We are professional manufacturer for Soft Jaws and Accessories of Power Chucks, with a definite focus on providing excellent, high quality, accurate products with over 40 years experience.

▶▶ / SERVICE

- We dedicate to enhancing quality and developing workholding innovations to satisfy customers' needs has made, **TAIKI** has become the creating high value added solutions.

▶▶ / VARIED PRODUCTS

- Our main line of Soft Jaws offer solutions for all sorts of chucking applications, including soft jaws (standard type, extra-height, extra-width, extra-length type) hard jaws, round jaws, tongue & groove soft top Jaws, jaw boring rings and jaw t-nuts.

▶▶ / CUSTOMER DESIGNED

- Every year we design and manufacture thousands of sets of jaws for customers, all designed to offer safe and profitable workholding.
- Many different styles and sizes to suit Kitagawa Chucks and other popular power chucks.

Vision & Mission:

▶▶ / VISION

- Excel as World Class Leading Provider of Soft Jaws & Accessories of Power Chucks.

▶▶ / MISSION

- Win Customers' Confidence and Create the Precision Industry Future.



TAIKI®

INDEX



SOFT JAWS FOR HYDRAULIC CHUCKS

1.5mmX60°
STANDARD TYPE



3.0mmX60°
STANDARD TYPE



1/16"X90°
STANDARD TYPE



ALUMINUM
SOFT JAWS



SPECIAL L TYPE



EXTRA-HEIGHT
TYPE



EXTRA-WIDTH
TYPE



EXTRA-LENGTH
TYPE



ROUND JAWS
(STEEL & ALUMINUM TYPE)



TONGUE & GROOVE
SOFT JAWS



TONGUE & GROOVE
ROUND JAWS



ACCESSORIES

JAW BORING FIXTURES
(TL-TYPE)



JAW BORING RINGS
(JB-TYPE)



HARD JAWS



JAW T-NUTS



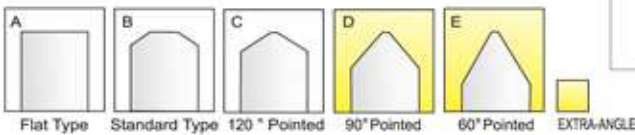
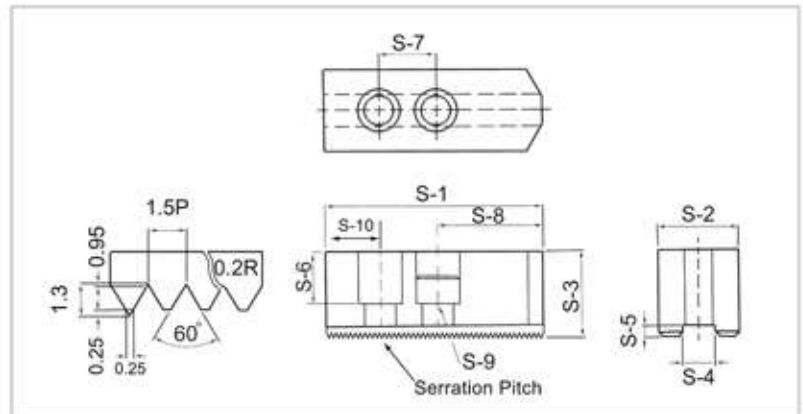
SOFT JAWS FOR HYDRAULIC CHUCKS



TAIKI has more than forty years of experience in manufacturing soft jaws. With everlasting efforts, TAIKI has been in a professional and leading position. We provide different styles and size to suit for all brands of hydraulic power chucks. We categorize the jaws into many types, such as standard, extra-height, extra-width and extra-length type. Varied specifications are provided in order to satisfy all customers' different demands to promote high efficiency and accuracy.

Welcome OEM customers to be our business partners. Please feel free to contact us for more details or information. (Please find page 13 & 14)

1.5mmX60° STANDARD TYPE



- With above angle for different workpiece:
- For Flat Type Jaws, please add "A" to suffix of order number, such as :SJ08037A
Standard Type :SJ08037B, 120° Pointed :SJ08037C, 90° Pointed :SJ08037D, 60° Pointed :SJ08037E,

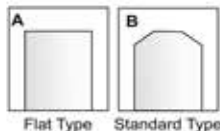
▶ DIMENSIONS

UNIT: mm

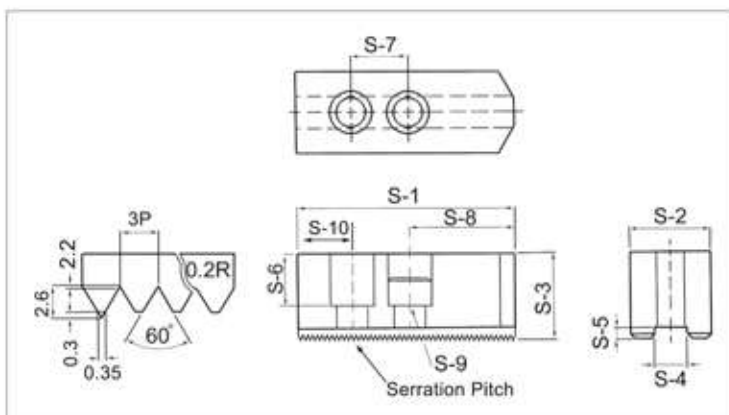
ORDER NUMBER	DIMENSION	S-1	S-2	S-3	S-4	S-5	S-6	S-7	S-8		S-9	S-10 (A/B angle)	S-10 (C/D/E angle)	Serration Pitch	Gross Weight (kg)
									A,B	C,D,E					
SJ04023		51	23	23	10	4	13	14	27		M8		10	1.5x60°	0.5
SJ05027		62	23	27	10	4	17	14	38		M8		10	1.5x60°	0.7
SJ06030		73	31	31	12	5	19	20	38	43	M10	15	10	1.5x60°	1.5
SJ08037		95	35	37	14	5	22	25	46	54	M12	24	16	1.5x60°	2.5
SJ10042		110	40	42	16	5	27	30	50	60	M12	30	20	1.5x60°	3.6
SJ12048		129	48	48	21(18)	5	28	30	60	74	M16(M14)	39	25	1.5x60°	6.2
SJ15062A		165	62	62	22(25.5)	8	37	43	85		M20	37		1.5x60°	12.6
SJ18062A		165	62	62	22(25.5)	8	37	43	85		M20	37		1.5x60°	12.6

- Material: Steel (S45C)
- To suit kitagawa and other famous chucks.

3.0mmX60° STANDARD TYPE



Flat Type Standard Type



■ For Flat and Standard Type, the other angle, please find page13.

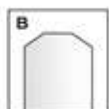
DIMENSIONS

UNIT: mm

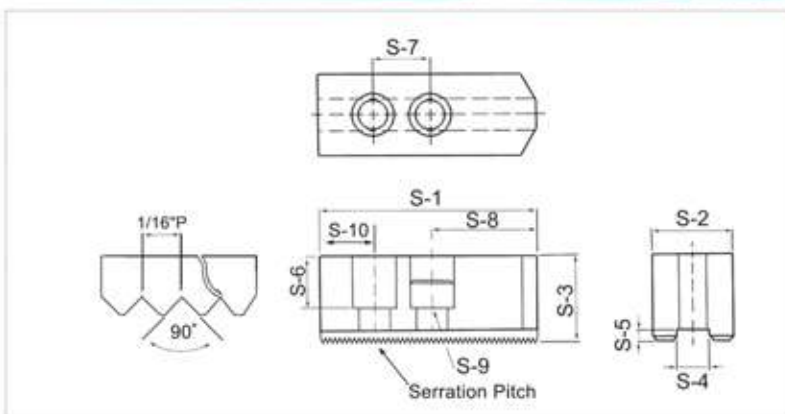
DIMENSION ORDER NUMBER	S-1	S-2	S-3	S-4	S-5	S-6	S-7	S-8	S-9	S-10	Serration Pitch
SJA06030B	73	31	31	12	6	18	20	38	M10	15	3.0x60°
SJA08037B	95	35	37	14	6	21	25	46	M12	24	3.0x60°
SJA10042B	110	40	42	16	6	26	30	50	M12	30	3.0x60°
SJA12048B	129	48	48	18	6	28	38	59	M14	32	3.0x60°
SJA15062A	165	62	62	22	9	37	60	66	M20	39	3.0x60°
SJA21070A	180	63	70	25	9	45	60	80	M20	40	3.0x60°
SJA24070A	180	63	70	25	9	45	60	80	M20	40	3.0x60°

- Material: Steel (S45C)
- To suit kitagawa and other famous chucks.

1/16"X90° STANDARD TYPE



Standard Type



■ Standard type only, for other angle, please find page13.

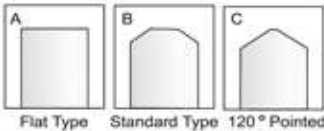
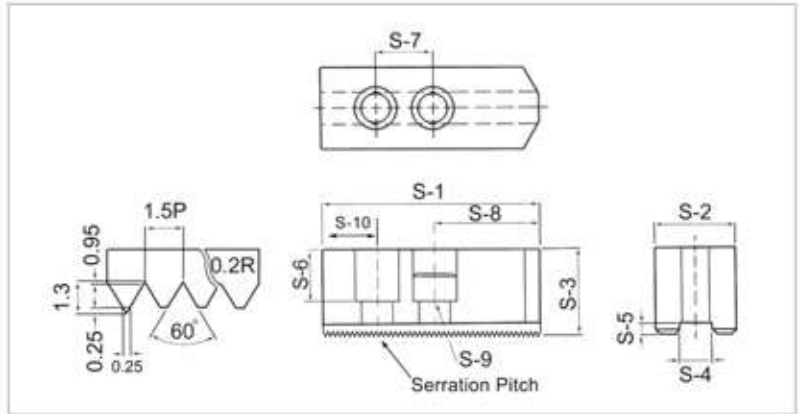
DIMENSIONS

UNIT: mm

DIMENSION ORDER NUMBER	S-1	S-2	S-3	S-4	S-5	S-6	S-7	S-8	S-9	S-10	Serration Pitch
SJ130/12C	62	23	27	12	5	15	16	36	M8	10	1/16"x90°
SJ160/17B	73	31	31	17	5	19	22	36	M12	15	1/16"x90°
SJ165/14B	73	31	31	14	5	19	20	38	M10	15	1/16"x90°
SJ200/17B	95	35	37	17	5	22	22	49	M12	24	1/16"x90°
SJ250/17B	110	40	42	17	5	27	22	58	M12	30	1/16"x90°
SJ250/21B	110	40	42	21	5	27	30	52	M16	30	1/16"x90°
SJ315/21B	129	48	48	21	5	33	30	64	M16	37	1/16"x90°
SJ300/25.5B	129	48	60	25.5	6	42	35	57	M20	37	1/16"x90°

- Material: Steel (S45C)
- To suit Autoblok and other famous chucks.

ALUMINUM SOFT JAWS



Flat Type Standard Type 120° Pointed

■ For other angle and dimensions, please find page13.

▶ DIMENSIONS

UNIT: mm

DIMENSION ORDER NUMBER	S-1	S-2	S-3	S-4	S-5	S-6	S-7	S-8	S-9	S-10	Serration Pitch	Excursus
<i>SJ-A04023C</i>	51	23	23	10	4	13	14	27	M8	10	1.5x60°	
<i>SJ-A05027C</i>	62	23	27	10	4	17	14	38	M8	10	1.5x60°	
<i>SJ-A06030B</i>	73	31	31	12	5	19	20	38	M10	15	1.5x60°	
<i>SJ-A08037B</i>	95	35	37	14	5	22	25	46	M12	24	1.5x60°	
<i>SJ-A10042B</i>	110	40	42	16	5	27	30	50	M12	30	1.5x60°	
<i>SJ-A12048B</i>	129	48	48	21(18)	5	28	30	60	M16(M14)	39	1.5x60°	
<i>SJ-A15062A</i>	165	62	62	22(25.5)	8	37	43	85	M20	37	1.5x60°	
<i>SJ-A18062A</i>	165	62	62	22(25.5)	8	37	43	85	M20	37	1.5x60°	

- Material: Aluminum (6061 T6)
- To suit kitagawa and other famous chucks.

SPECIAL L TYPE

▶ FEATURE

- ▶ We offer this special L type of soft jaws to save customers' time, **TAIKI**-Jaws in special design.
- ▶ Designed according to your workpiece.
- ▶ Every year we design and manufacture thousands of sets of jaws for customers.
- ▶ All designed to offer safe and profitable workholding.



Fig.1



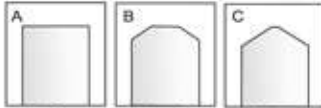
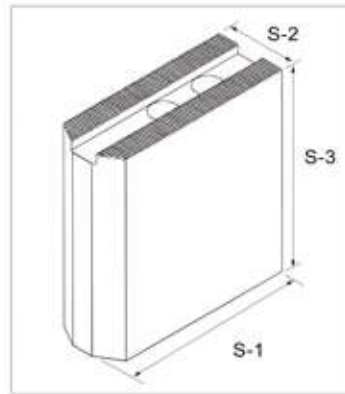
Fig.2



Fig.3

■ Material: Steel (S45C)

EXTRA-HEIGHT TYPE



Flat Type Standard Type 120° Pointed

- With above angle for different workpiece:
- For Flat Type Jaws, please add "A" to suffix of order number, such as: SJ08060A, Standard Type: SJ08060B, 120° Pointed : SJ08060C.

FEATURE

- Soft jaws of extra-height type are suitable for the length of workpiece is longer, such as 100mm length will need soft jaws of extra-height type with over 70mm height which will increase the accuracy and stability of production process.
- We are available from over 8 inch which over 200mm height.

DIMENSIONS

UNIT: mm

SJ05

ORDER NUMBER	DIMENSION				
	Length S-1	Width S-2	Height S-3	Serration Pitch	Excursus
SJ05036	62	23	36	1.5x60°	
SJ05048	62	23	48	1.5x60°	
SJ05070	62	23	70	1.5x60°	
SJ05100	62	23	100	1.5x60°	

SJ06

ORDER NUMBER	DIMENSION				
	Length S-1	Width S-2	Height S-3	Serration Pitch	Excursus
SJ06036	73	31	36	1.5x60°	
SJ06050	73	31	50	1.5x60°	
SJ06060	73	31	60	1.5x60°	
SJ06070	73	31	70	1.5x60°	
SJ06080	73	31	80	1.5x60°	
SJ06090	73	31	90	1.5x60°	
SJ06100	73	31	100	1.5x60°	
SJ06130	73	31	130	1.5x60°	
SJ06150	73	31	150	1.5x60°	

SJ08

ORDER NUMBER	DIMENSION				
	Length S-1	Width S-2	Height S-3	Serration Pitch	Excursus
SJ08050	95	35	50	1.5x60°	
SJ08060	95	35	60	1.5x60°	
SJ08070	95	35	70	1.5x60°	
SJ08080	95	35	80	1.5x60°	
SJ08090	95	35	90	1.5x60°	
SJ08100	95	35	100	1.5x60°	
SJ08120	95	35	120	1.5x60°	
SJ08150	95	35	150	1.5x60°	
SJ08180	95	35	180	1.5x60°	
SJ08210	95	35	210	1.5x60°	

- Material: Steel (S45C)
- Serration Pitch: 1.5mmX60°
- To suit kitagawa and other famous chucks.

SJ10

ORDER NUMBER	DIMENSION				
	Length S-1	Width S-2	Height S-3	Serration Pitch	Excursus
SJ10050	110	40	50	1.5x60°	
SJ10060	110	40	60	1.5x60°	
SJ10070	110	40	70	1.5x60°	
SJ10080	110	40	80	1.5x60°	
SJ10090	110	40	90	1.5x60°	
SJ10100	110	40	100	1.5x60°	
SJ10120	110	40	120	1.5x60°	
SJ10150	110	40	150	1.5x60°	
SJ10180	110	40	180	1.5x60°	
SJ10200	110	40	200	1.5x60°	

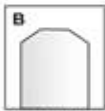
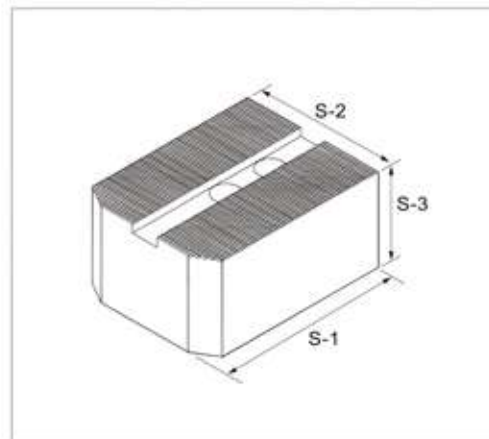
SJ12

ORDER NUMBER	DIMENSION				
	Length S-1	Width S-2	Height S-3	Serration Pitch	Excursus
SJ12060	129	48	60	1.5x60°	
SJ12080	129	48	80	1.5x60°	
SJ12100	129	48	100	1.5x60°	
SJ12120	129	48	120	1.5x60°	
SJ12150	129	48	150	1.5x60°	
SJ12180	129	48	180	1.5x60°	
SJ12200	129	48	200	1.5x60°	

SJ15 / SJ18

ORDER NUMBER	DIMENSION				
	Length S-1	Width S-2	Height S-3	Serration Pitch	Excursus
SJ15080A	165	62	80	1.5x60°	
SJ15100A	165	62	100	1.5x60°	
SJ15130A	165	62	130	1.5x60°	
SJ15150A	165	62	150	1.5x60°	
SJ15180A	165	62	180	1.5x60°	
SJ15220A	165	62	220	1.5x60°	

EXTRA-WIDTH TYPE



Standard Type

- Standard Type only.
- For other angle, please find page13.

▶ FEATURE

- ▶ Soft jaws of extra-width type are suitable for thinner,deformable and bigger covering range of parts enable to decrease deformation and increase the accuracy.
- ▶ Such as outer dia. 60mm will need 60mm of extra-width type of soft jaws.

▶ DIMENSIONS

UNIT: mm

SJ06

ORDER NUMBER	DIMENSION				
	Length S-1	Width S-2	Height S-3	Serration Pitch	Excursus
SJ0603048B	73	48	30	1.5x60°	
SJ0603060B	73	60	30	1.5x60°	
SJ0603080B	73	80	30	1.5x60°	
SJ0604848B	73	48	48	1.5x60°	
SJ0604863B	73	63	48	1.5x60°	
SJ0606060B	73	60	60	1.5x60°	
SJ0607070B	73	70	70	1.5x60°	

- Material: Steel (S45C)
- Serration Pitch:1.5mmX60°
- To suit kitagawa and other famous chucks.

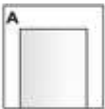
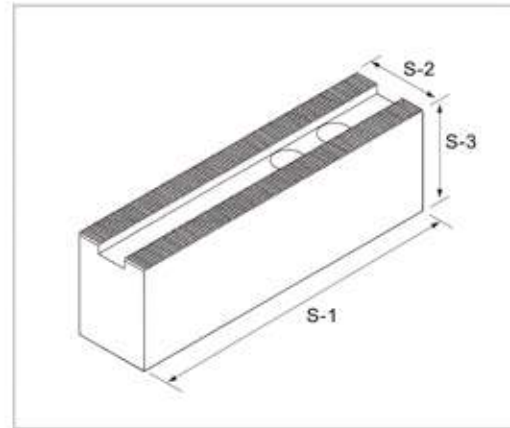
SJ08

ORDER NUMBER	DIMENSION				
	Length S-1	Width S-2	Height S-3	Serration Pitch	Excursus
SJ0803648B	95	48	36	1.5x60°	
SJ0803663B	95	63	36	1.5x60°	
SJ0803680B	95	80	36	1.5x60°	
SJ0804848B	95	48	48	1.5x60°	
SJ0804873B	95	73	48	1.5x60°	
SJ0804890B	95	90	48	1.5x60°	
SJ0806363B	95	63	63	1.5x60°	
SJ0807373B	95	73	73	1.5x60°	
SJ0808383B	95	83	83	1.5x60°	

SJ10

ORDER NUMBER	DIMENSION				
	Length S-1	Width S-2	Height S-3	Serration Pitch	Excursus
SJ1004263B	110	63	42	1.5x60°	
SJ10042100B	110	100	42	1.5x60°	
SJ1004873B	110	73	48	1.5x60°	
SJ1006363B	110	63	63	1.5x60°	
SJ1007373B	110	73	73	1.5x60°	
SJ1008383B	110	83	83	1.5x60°	

EXTRA-LENGTH TYPE



Flat Type

■ Flat Type only

▶▶ FEATURE

- ▶ Soft Jaws of extra-Length type are suitable for parts with bigger outer dia.
- ▶ For example : Outer dia.250mm will suit to use SJ08 with extra-Length 150mm of soft jaws.

▶▶ DIMENSIONS

UNIT: mm

SJ08

ORDER NUMBER	DIMENSION					Excursus
	Length S-1	Width S-2	Height S-3	Serration Pitch		
SJ08048150A	150	35	48	1.5x60°		
SJ08063150A	150	35	63	1.5x60°		

SJ12

ORDER NUMBER	DIMENSION					Excursus
	Length S-1	Width S-2	Height S-3	Serration Pitch		
SJ12048150A	150	48	48	1.5x60°		
SJ12048170A	170	48	48	1.5x60°		
SJ12060170A	170	48	60	1.5x60°		
SJ12060200A	200	48	60	1.5x60°		
SJ12080170A	170	48	80	1.5x60°		

SJ10

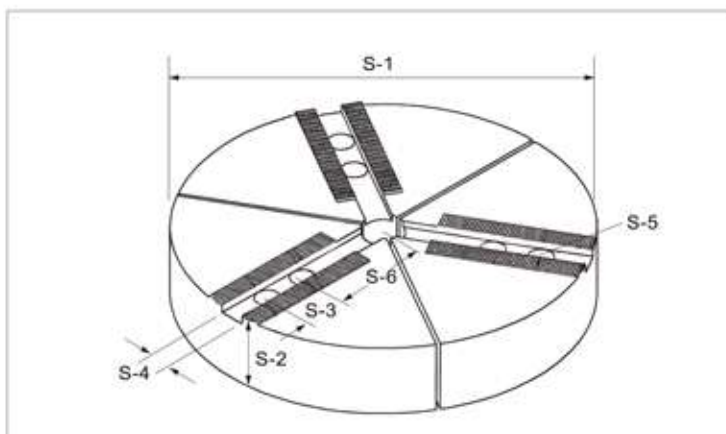
ORDER NUMBER	DIMENSION					Excursus
	Length S-1	Width S-2	Height S-3	Serration Pitch		
SJ10048150A	150	40	48	1.5x60°		
SJ10063150A	150	40	63	1.5x60°		
SJ10083150A	150	40	83	1.5x60°		
SJ10090180A	180	40	90	1.5x60°		

SJ15

ORDER NUMBER	DIMENSION					Excursus
	Length S-1	Width S-2	Height S-3	Serration Pitch		
SJ15072200A	200	62	72	1.5x60°		
SJ15072250A	250	62	72	1.5x60°		

- Material : Steel (S45C)
- Serration Pitch:1.5mmX60°
- To suit kitagawa and other famous chucks.

ROUND JAWS



FEATURE

- ▶ Round jaws are suitable for extra bigger outer dia. (thin wall)
- ▶ This type of soft jaw can cover the outer dia. of workpiece, enabling to decrease deformation and increase the accuracy.
- ▶ For example: Type of FW08 can hold parts with outer dia. of 200mm.

DIMENSIONS

UNIT: mm

DIMENSION ORDER NUMBER	S-1	S-2	S-3	S-4	S-5 Bolt Size	S-6	Thru Hole	Serration Pitch	Excursus
FW04032	100	32	14	10	M8	26	25	1.5x60°	
FW05032	135	32	14	10	M8	43.5	25	1.5x60°	
FW06040	169	40	20	12	M10	49.5	25	1.5x60°	
FW08040	206	40	25	14	M12	54	25	1.5x60°	
FW08050	206	50	25	14	M12	54	25	1.5x60°	
FW10050	250	50	30	16	M12	65	25	1.5x60°	
FW12050	300	50	30	21(18)	M16(M14)	81	25	1.5x60°	

- Material: Steel (S45C)
- To suit Kitagawa and other famous chucks.

ALUMINUM ROUND JAWS

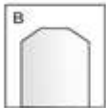
DIMENSIONS

UNIT: mm

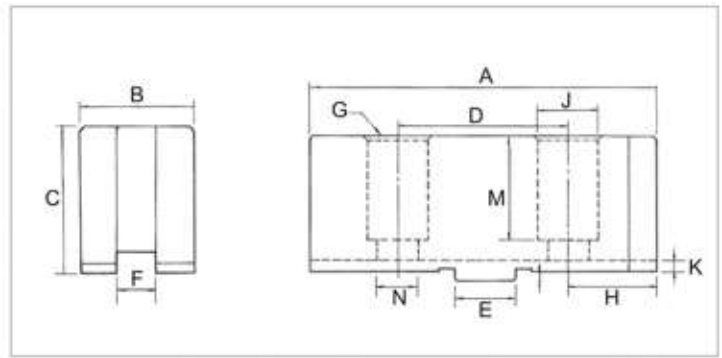
DIMENSION ORDER NUMBER	S-1	S-2	S-3	S-4	S-5 Bolt Size	S-6	S-7 Thru Hole	Serration Pitch	Excursus
FW-A04032	100	32	14	10	M8	26	25	1.5x60°	
FW-A05032	135	32	14	10	M8	43.5	25	1.5x60°	
FW-A06040	169	40	20	12	M10	49.5	25	1.5x60°	
FW-A08040	200	40	25	14	M12	51	25	1.5x60°	
FW-A08050	200	50	25	14	M12	51	25	1.5x60°	
FW-A10050	250	50	30	16	M12	65	25	1.5x60°	
FW-A12050	300	50	30	21(18)	M16(M14)	81	25	1.5x60°	

- Material: Aluminum (6061 T6)

TONGUE & GROOVE SOFT JAWS



Standard Type



■ Standard Type only, for other angle, please find page 14.

▶ DIMENSIONS

UNIT: mm

DIMENSION ORDER NUMBER	A	B	C	D	E	F	G	H	J	K	M	N	Gross Weight (kg)
PSJ06032	73	32	32	38.1	12.68	7.94	M8	22	14	3.5	20	8.5	1.5
PSJ07-8"032	95	32	32	44.45	12.68	7.94	M10	33.5	17	3.5	18	11	1.7
PSJ09-10"032	105	32	32	53.98	19.03	12.7	M12	31	19	3.5	18	13	1.9
PSJ12054	125	40	54	63.5	19.03	12.7	M12	35.5	19	3.5	40.5	13	5.3
PSJ16070	162	50	70	76.2	19.03	12.7	M16	42	25	5.5	48	17	11

PSJ06

DIMENSION ORDER NUMBER	length A	width B	height C	Excursus
PSJ06032	73	32	32	
PSJ06048	73	26	48	
PSJ06073	73	26	73	

PSJ09-10

DIMENSION ORDER NUMBER	length A	width B	height C	Excursus
PSJ09-10"032	105	32	32	
PSJ09-10"048	103	31	48	
PSJ09-10"063	103	31	63	
PSJ09-10"080	103	31	80	
PSJ09-10"100	103	31	100	
PSJ09-10"120	103	31	120	
PSJ09-10"150	103	31	150	
PSJ09-10"048150	150	31	48	
PSJ09-10"063150	150	31	63	
PSJ09-10"048210	210	31	48	
PSJ09-10"048300	300	31	48	

PSJ16

DIMENSION ORDER NUMBER	length A	width B	height C	Excursus
PSJ16070	162	50	70	
PSJ16100	162	50	100	
PSJ16120	162	50	120	

- Material: Steel (S45C)
- To suit kitagawa and other famous chucks.

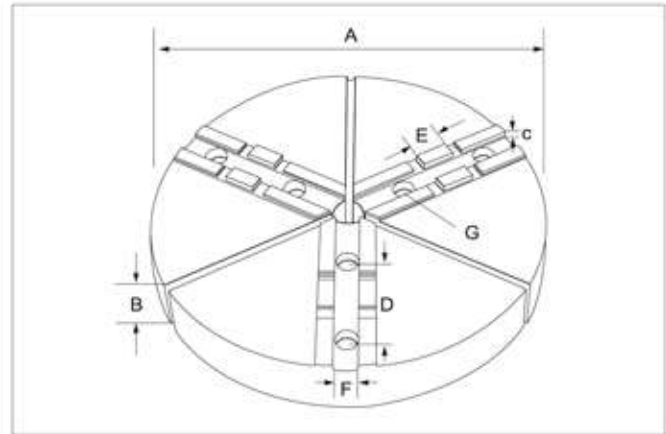
PSJ07-08

DIMENSION ORDER NUMBER	length A	width B	height C	Excursus
PSJ07-8"032	95	32	32	
PSJ07-8"048	89	31	48	
PSJ07-8"073	89	31	73	
PSJ07-8"100	89	31	100	
PSJ07-8"120	89	31	120	
PSJ07-8"150	89	31	150	
PSJ07-8"048150	150	31	48	

PSJ12

DIMENSION ORDER NUMBER	length A	width B	height C	Excursus
PSJ12054	125	40	54	
PSJ12070	125	40	70	
PSJ12090	125	40	90	
PSJ12120	125	40	120	
PSJ12048180	180	40	48	
PSJ12063180	180	40	63	
PSJ12048230	230	40	48	

TONGUE & GROOVE ROUND JAWS



► DIMENSIONS

UNIT: mm

DIMENSION ORDER NUMBER	A	B	C	D	E	F	G Bolt Size	Thru Hole	Excursus
TGP06040	165	40	3.5	38.1	12.68	7.94	M8	25	
TGP07-8"040	190	40	3.5	44.45	12.68	7.94	M10	25	
TGP07-8"050	190	50	3.5	44.45	12.68	12.7	M10	25	
TGP09-10"040	230	40	3.5	53.98	19.03	12.7	M12	25	
TGP09-10"050	230	50	3.5	53.98	19.03	12.7	M12	25	
TGP12050	305	50	3.5	63.5	19.03	12.7	M12	25	

- Material: Steel (S45C)

JAW BORING FIXTURES (TL- TYPE)



3-JAWS



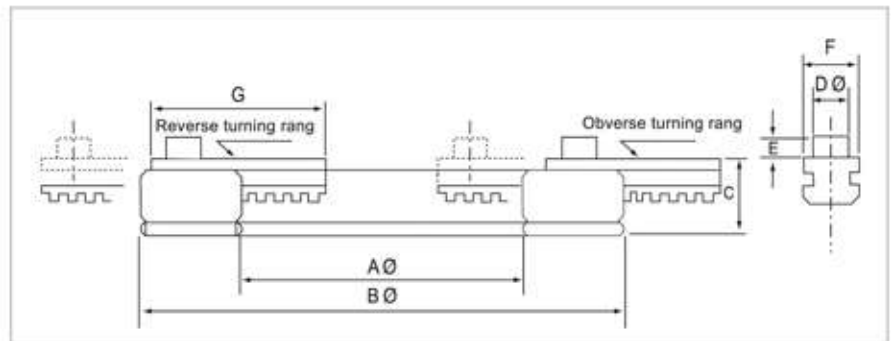
▶▶ FEATURE

To suit for CNC Lathe

- ▶ This type with a continuous micro adjustment is to provide accurate position, to reduce the abrasion of soft jaws.
- ▶ Soft jaws can be made small sizes by this type easily. With only some simple process, soft jaws can be bored.
- ▶ With anticlockwise lock, the machining field can be easily expended.



4-JAWS



▶▶ DIMENSIONS

UNIT: mm

ORDER NUMBER	DIMENSION	A Ø	B Ø	C	D Ø-E	F-G	Jaw Stroke (Each)	Max.Gripping (Kgf)	Max. Speed (R.P.M.)	Weight (kg)	Matching Chuck
TL-100		100	170	26	13-7	19-61	7.4	1,500	800	2.7	5", 6", 8"
TL-125		125	200	26	16.3-8	19-61	7.4	1,500	700	3.5	6", 8", 10"
TL-160		160	248	31	18.3-8	24-80	8.5	1,750	600	5.6	8", 10", 12"

■ Material: SCM440

▶ The operation process as following:



1. Set the jaw for correct position.



2. Adjust the Jaw Boring Fixtures to fit the bolt holes, and turn opposite direction of the chuck clamping force.



3. Lock the chuck to clamp the Jaw Boring Fixtures.



4. Machining the required size.



5. Unlck the chuck, and remove the Jaw Boring Fixtures.



6. If these steps are operated correctly, the part will be accuracy in better T.I.R.

JAW BORING RINGS (JB-TYPE)



FEATURE

To Suit for CNC Lathe.

▶ For adjust the high accuracy of chuck during cutting performance.

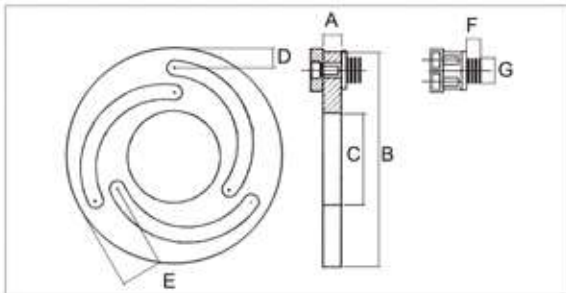
▶ The operation process as following:

1. Set the jaw for correct position.
2. Adjust the Jaw Boring Rings to fit the bolt holes.
3. Lock the chuck to clamp the Jaw Boring Rings.
4. Machining the required size.
5. Unlock the chuck.
6. If these steps are operated correctly, the part will be accuracy in better T.I.R.



DIMENSIONS

UNIT: mm



ORDER NUMBER	A	B	C	D	E	F	G	Weight (kg)
JB04	12	114	34	12	28	9	13	0.9
JB05	12	140	60	12	28	9	13	1.2
JB06	12	168	80	12	32	9	16.5	1.5
JB08	12	218	115	15	36	9	18.5	2.4
JB10	12	258	150	17	40	9	18.5	3.1
JB12	15	316	188	21	50	9	22.5	5.4
JB15	20	380	230	23	52	16	31	10.1

■ Material: SCM440

HARD JAWS

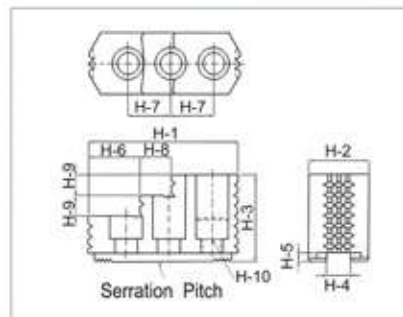


Fig. 1

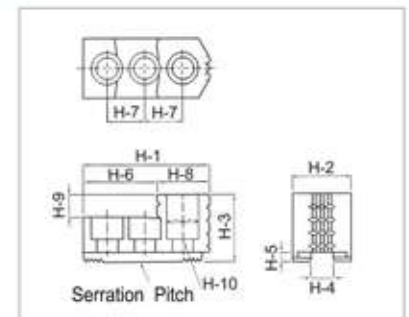


Fig. 2

FEATURE

▶ The hardened serrations of the clamping step are designed to clamp the workpiece securely without leaving large scrape.

DIMENSIONS

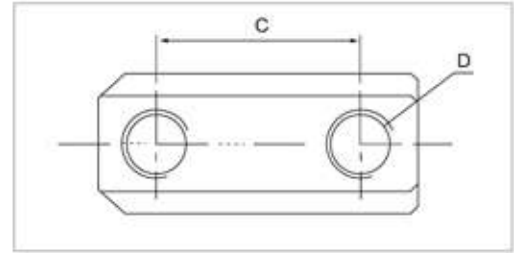
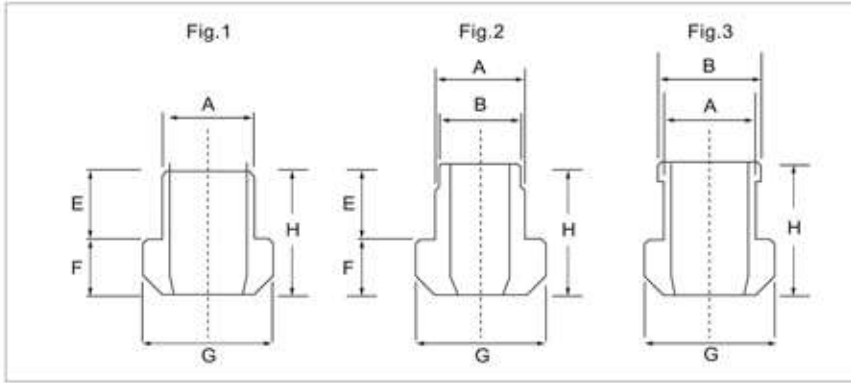
UNIT: mm

ORDER NUMBER	H-1	H-2	H-3	H-4	H-5	H-6	H-7	H-8	H-9	H-10	Serration Pitch	Weight (Kg)	Reference Drawing		
HJ05	53	23	28	10	4	30.5	14	22.5	10	M8	1.5x60°	0.4	Fig. 2		
HJ06	67	31	36	12	5	39	20	28	12	M10	1.5x60°	0.95	Fig. 2		
HJ08	87	35	51	14	5	32	25	16	12	M12	1.5x60°	1.95	Fig. 1		
HJ10	101	40	54	16	5	43	30	17	13	M12	1.5x60°	2.85	Fig. 1		
HJ12	103	50	52	18	21	5	62	30	41	17	M16	1.5x60°	3.9	Fig. 2	
HJ15	143	62	86	22	25	8	5	55	43	38	20	M20	1.5x60°	9.6	Fig. 1
HJ21	159	80	90	25	9	104	50	55	40	20	M20	3.0x60°	14.5	Fig. 2	

■ Material: SNCM21

■ To suit kitagawa and other famous chucks.

JAW T-NUTS



To suit power chucks.

- We also have varied sizes of t-nuts.
- Jaw Nuts could be designed according to the brand of power chucks.

FEATURE

- ▶ To connect power chuck and soft jaws, to suit different brands.
- ▶ We categorize the T-Nuts into
 - Standard type (fig.1) 6"Soft Jaws are used for 8"chuck, 8"Soft Jaws are used for 10"chuck
 - Special type (fig.2) 10"Soft Jaws are used for 12"chuck, 12"Soft Jaws are used for 15"chuck
 - Special type (fig.3) 10"Soft Jaws are used for 8"chuck,

DIMENSIONS

UNIT: mm

■ Fig.1



Standard T-Nuts To suit Kitagawa B-type

DIMENSION ORDER NUMBER	Chuck Size	A	C	D	E	F	G	H	To suit Kitagawa	Reference Drawing
TB06	6"	12	20	M10	15	7.5	17.5	22.5	B-06	Fig. 1
TB08	8"	14	25	M12	16	9.5	20.5	25.5	B-08	Fig. 1
TB10	10"	16	30	M12	16	9.5	22.5	25.5	B-10	Fig. 1
TB12	12"	18	30	M14	20	13.5	26.5	33.5	B-12	Fig. 1

■ Fig.2



Standard T-Nuts To suit Kitagawa B-200 type

DIMENSION ORDER NUMBER	Chuck Size	A	B	C	D	E	F	G	H	To suit Kitagawa	Reference Drawing
T05	5"	10	--	14	M8	9.5	5.5	14.5	15	B-205	Fig. 1
T06	6"	12	--	20	M10	11	7.5	17.5	18.5	B-206	Fig. 1
T08	8"	14	--	25	M12	12	8.5	20.5	20.5	B-208	Fig. 1
T10	10"	16	--	30	M12	13	8.5	22.5	21.5	B-210	Fig. 1
T12	12"	21	--	30	M16	16.25	11.5	29.5	27.8	B-212	Fig. 1
T15	15"	24	22	43	M20	29	16.5	33.5	45.5	B-15	Fig. 2

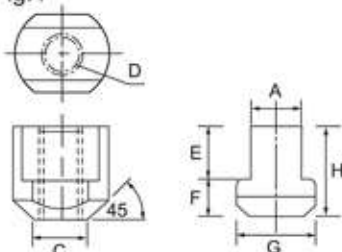
■ Fig.3



Special T-Nuts To suit Kitagawa B-200 type Such as: 6" soft jaw suitable for 8" chuck(6" to 8")

DIMENSION ORDER NUMBER	Chuck Size	Suitable to	A	B	C	D	H	Reference Drawing
TS08-06	6"	8" to 6"	12	14	25	M10	18.5	Fig. 3
TS06-08	8"	6" to 8"	14	12	20	M10	20.5	Fig. 2
TS10-08	8"	10" to 8"	14	16	30	M12	20.5	Fig. 3
TS08-10	10"	8" to 10"	16	14	25	M12	21.5	Fig. 2
TS10-12	12"	10" to 12"	21	16	30	M12	28	Fig. 2
TS12-15	15"	12" to 15"	24	21	30	M16	45.5	Fig. 2

■ Fig.4



Standard T-Nuts

DIMENSION ORDER NUMBER	Chuck Size	A	C	D	E	F	G	H	To suit Kitagawa	Reference Drawing
TB15	15"	25.5	26	M20	20.25	19	35	39.25	N-15	Fig.4
T21	21"	25	27	M20	26	19	37.5	45	B-21	Fig.4

- Material: SCM440

SPECIAL ORDER FORM

SOFT JAWS

Metric & Imperial Serrations

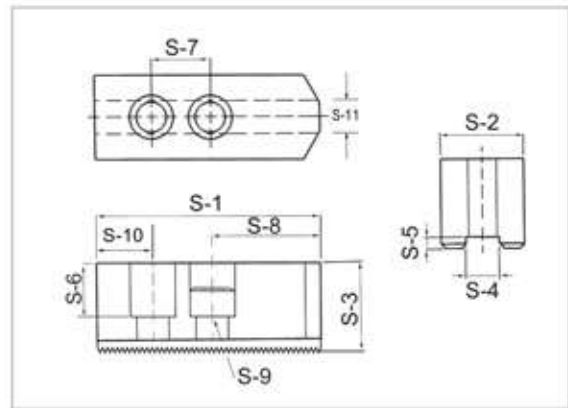
Customer # _____ Date: _____
 Company Name: _____ Your Name: _____
 Address: _____
 Phone: _____ Fax: _____ E-mail: _____

▶▶ PLEASE NOTE

- ▶ Special Order jaws are NON-REFUNDABLE.
- ▶ Special Order Soft Jaws have 100 sets (300piece) minimum.

Angle of Jaws: _____

Quantity (3Pcs/Set): _____



UNIT: mm

Chuck Size	S-1 Length	S-2 Width	S-3 Height	S-4 Groove Width	S-5	S-6	S-7 Hole space	S-8	S-9 Bolt Size	S-10	S-11	Material Steel or Aluminum

Angle of Tooth	Serration Pitch	Angle of Tooth	Serration Pitch
	<input type="checkbox"/> 1.5mmX60°		<input type="checkbox"/> 1/16"X90°
	<input type="checkbox"/> 3.0mmX60°		<input type="checkbox"/> 3/32"X90°

Angle	(A) <input type="checkbox"/> Flat	(B) <input type="checkbox"/> Standard	(C) <input type="checkbox"/> 120° Pointed	(D) <input type="checkbox"/> 90° Pointed	(E) <input type="checkbox"/> 60° Pointed

Chuck Make & Model Number: _____
 Chuck Make & Model Number may help us provide better service to you.

Please fill out if placing an order:

PO#: _____ Customer Signature: _____ Date: _____

OFFICE USE ONLY

Quoted By: _____

List Price Per Set: _____ (Valid for 30 Days)

Order Will Ship within _____ days after receiving your order is confirmed, and receiving your remittance.

SPECIAL ORDER FORM TONGUE & GROOVE SOFT JAWS

Customer # _____ Date: _____

Company Name: _____ Your Name: _____

Address: _____

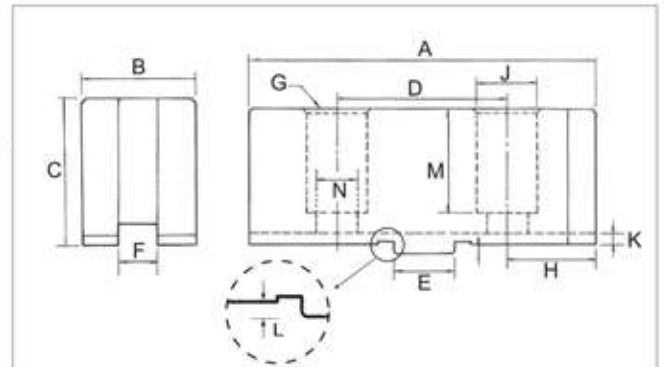
Phone: _____ Fax: _____ E-mail: _____

▶▶ PLEASE NOTE

- ▶▶ Special Order jaws are NON-REFUNDABLE.
- ▶▶ Special Order Tongue & Groove Jaws have 100 sets (300piece) minimum.

Angle of Jaws: _____

Quantity (3Pcs/Set): _____



UNIT: mm

Chuck Size	A Length	B Width	C Height	D Hole Space	E	F Groove Width	G Bolt Size	H	J	K	L	M	N	Material Steel

Angle	<input type="checkbox"/> (A) Flat 	<input type="checkbox"/> (B) Standard 	<input type="checkbox"/> (C) 120° Pointed
-------	---------------------------------------	---	---

Chuck Make& Model Number: _____

Chuck Make& Model Number may help us provide better service to you.

Please fill out if placing an order:

PO#: _____ Customer Signature: _____ Date: _____

OFFICE USE ONLY

Quoted By: _____

List Price Per Set: _____ (Valid for 30 Days)

Order Will Ship within _____ days after receiving your order is confirmed, and receiving your remittance.

TAIKI®

Tel: +886-4-2333-3088 Fax: +886-4-2333-3087

E-mail: taiki-jaws@umail.hinet.net URL: //www.taiki-jaws.com

TAIKI®



TAIKI INDUSTRIAL CO., LTD.

No.11, Lane 468, Wufu Rd., Wufong Dist., Taichung City, 41355, Taiwan.

TEL: +886-4-2333-3088 FAX: +886-4-2333-3087

E-mail: taiki-jaws@umail.hinet.net

<http://www.taiki-jaws.com>