



Gamela

Enterprise Co., Ltd.



Welcome to our site...

AUTO AIR CONDITIONING PARTS

Auto Air Conditioning Parts | Fan Motor Assy for Bus Use

Fan Motor Assy for Bus Use



Electric Cooling Fan (Taiwan Made)

[65021T-12V / 65021T-24V \(10" COOLING FAN\)](#)

[65028T-12V / 65028T-24V\(DC BLOWER\)](#)

[65022T-12V / 65022T-24V\(11" COOLING FAN\)](#)

[65024T-12V / 65024T-24V\(16" COOLING FAN\)](#)

[65023T-12V / 65023T-24V\(12" COOLING FAN\)](#)

[65025T-12V / 65025T-24V\(9" COOLING FAN\)](#)

[65026T-12V / 65026T-24V\(11" COOLING FAN\)](#)

[65027T-12V / 65027T-24V \(11" DUAL COOLING FAN\)](#)

GAMELA ENTERPRISE CO., LTD.

5F., No.657-1, Zhongzheng Rd.,
Xinzhuan Dist., New Taipei City 242, Taiwan

TEL: 886-2-29013211 FAX: 886-2-29042386

E-mail :gamela@ms2.hinet.net

Website: <http://www.gamela.com.tw>

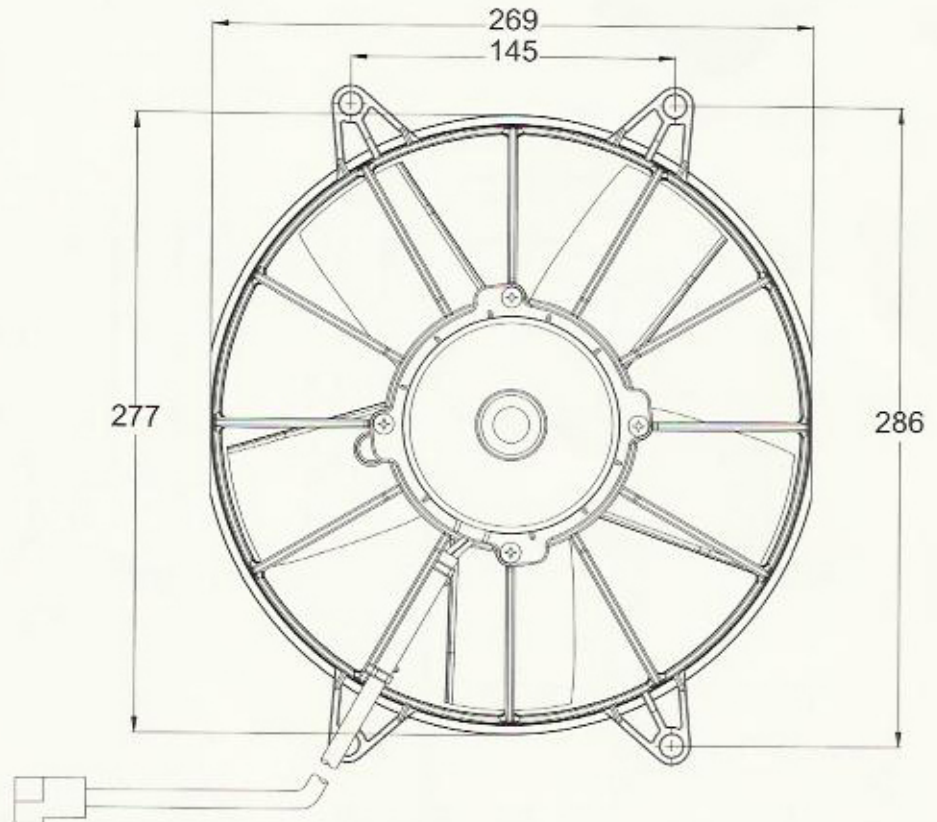
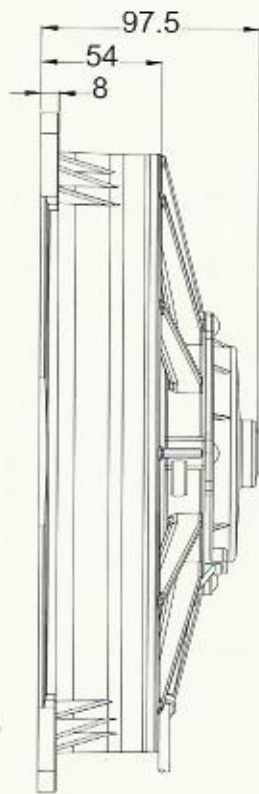
Copyright 2013 Gamela Enterprise Co., Ltd.

ELECTRIC COOLING FAN



65021T-12V
65021T-24V

(10" COOLING FAN)



SPECIFICATIONS

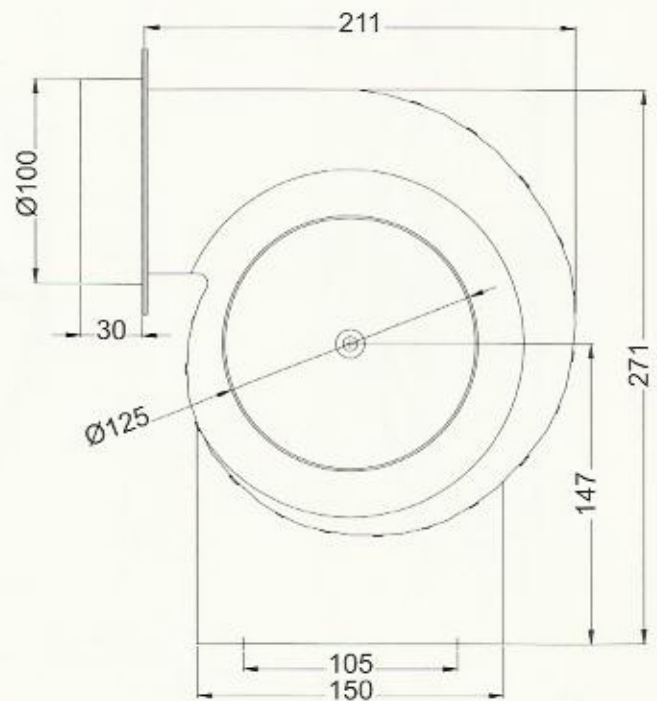
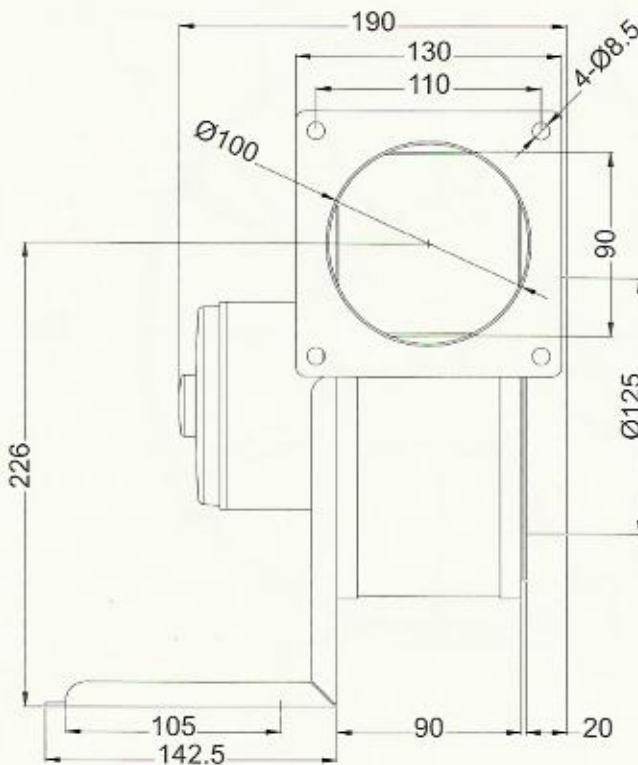
| MOTOR | MAX. CURRENT | MOTOR INPUT | SPEED | WEIGHT |
|--------------------------|-------------------------------|------------------------------|----------------------------------|---|
| 65021T-12V 65021T-24V | 10 AMPS (12V) 5 AMPS (24V) | 120 WATTS | 3000 RPM | 2250 GMS |
| LIFE | RATING | SHROUD | ROTOR | AIRFLOW |
| 6500 HRS @80°C | CONTINUOUS | GLASS-FIBER POLYPROPYLENE | REVERSIBLE GLASS- FIBER NYLON | 520 LITRES/SEC (1100 CFM) @ 0 PASCALS FAN INLET PRESSURE |

ELECTRIC COOLING FAN



65028T-12V
65028T-24V

(DC BLOWER)



SPECIFICATIONS

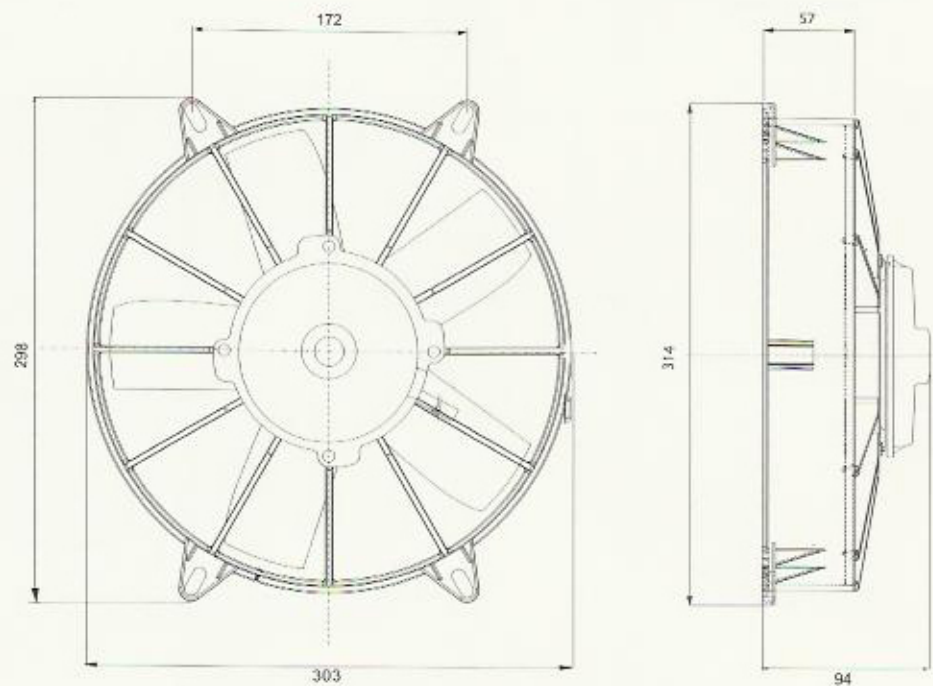
| MOTOR | MAX. CURRENT | MOTOR INPUT | SPEED | WEIGHT |
|--------------------------|-------------------------------|---------------|-----------------------|----------|
| 65028T-12V 65028T-24V | 16 AMPS (12V) 8 AMPS (24V) | 190 WATTS | 2900 RPM | 4500 GMS |
| LIFE | RATING | MAX. PRESSURE | AIRFLOW | |
| >5000 HRS | CONTINUOUS | 46 mmAq | 570 M ³ /H | |

ELECTRIC COOLING FAN



65022T-12V
65022T-24V

(11" COOLING FAN)



SPECIFICATIONS

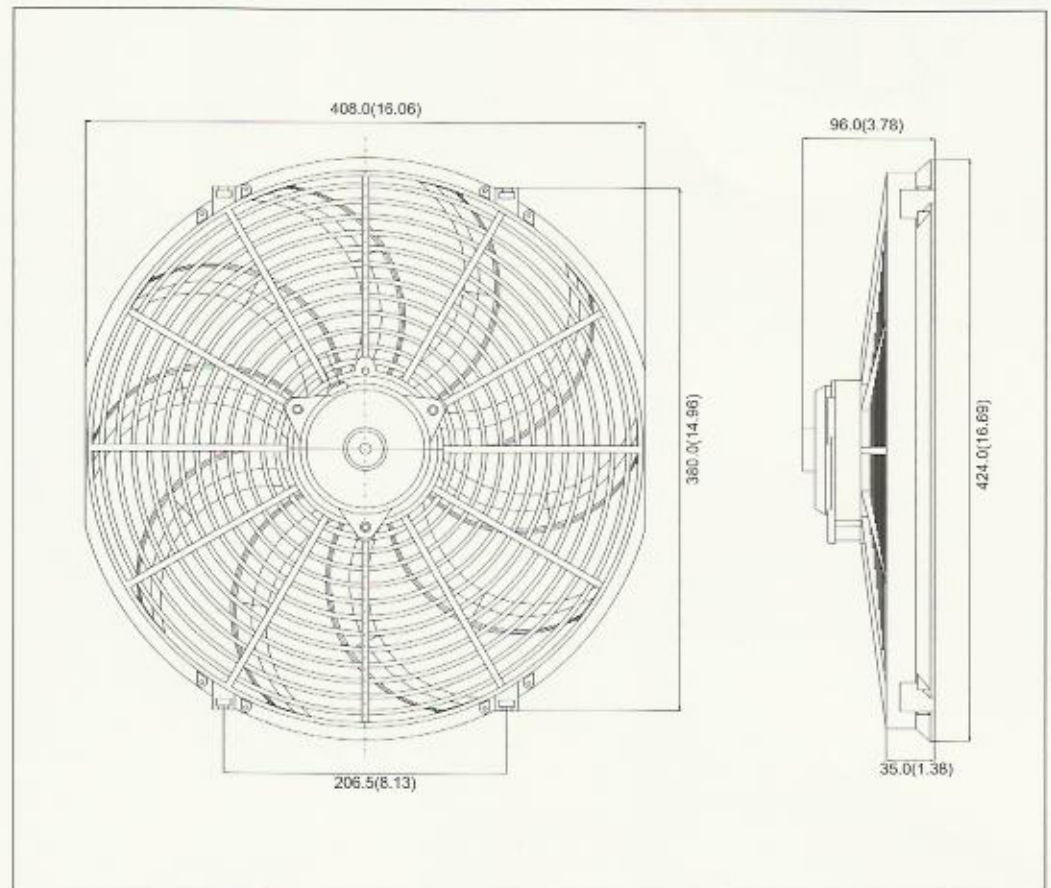
| MOTOR | MAX. CURRENT | MOTOR INPUT | SPEED | WEIGHT |
|--------------------------|-----------------------------------|------------------------------|----------------------------------|--|
| 65022T-12V 65022T-24V | 11.0 AMPS (12V) 5.5 AMPS (24V) | 132 WATTS | 2900 RPM | 2350 GMS |
| LIFE | RATING | SHROUD | ROTOR | AIRFLOW |
| 6500 HRS @80°C | CONTINUOUS | GLASS-FIBER POLYPROPYLENE | REVERSIBLE GLASS- FIBER NYLON | 588 LITRES/SEC (1245CFM)@ 0 PASCALS FAN INLET PRESSURE |

ELECTRIC COOLING FAN



65024T-12V
65024T-24V

(16" COOLING FAN)



SPECIFICATIONS

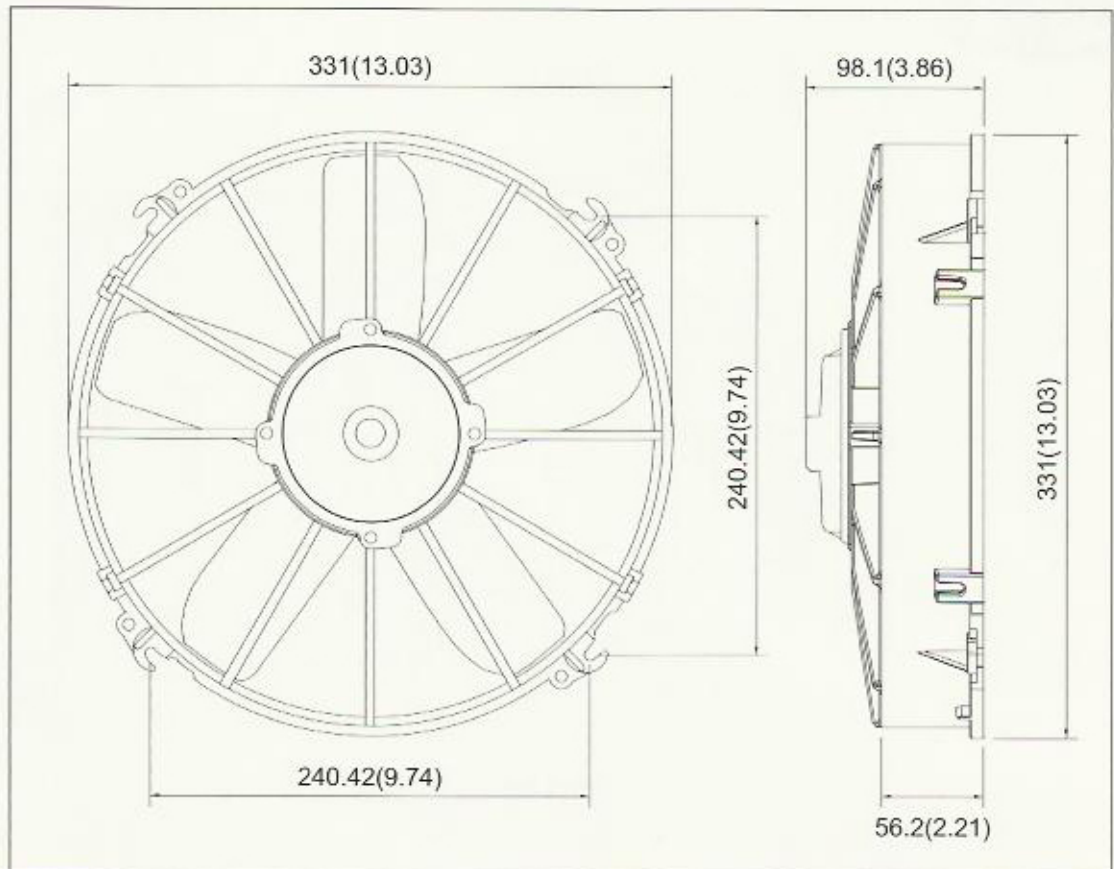
| MOTOR | MAX. CURRENT | MOTOR INPUT | SPEED | WEIGHT |
|--|----------------|----------------------|---------------------------------|--|
| 65024T-12V | 13.7 AMPS(12V) | 165 WATTS | 2700 RPM | 2300 GMS |
| 65024T-24V | 7.5 AMPS(24V) | 180 WATTS | | |
| LIFE | RATING | SHROUD | ROTOR | AIRFLOW |
| 2000 HRS @80°C (LONG LIFE IS AVAILABLE) | CONTINUOUS | GLASS-FIBER NYLON | REVERSIBLE GLASS-FIBER NYLON | 945LITRES/SEC (2000 CFM)@ 0 PASCALS FAN INLET PRESSURE |

ELECTRIC COOLING FAN



65023T-12V
65023T-24V

(12" COOLING FAN)



SPECIFICATIONS

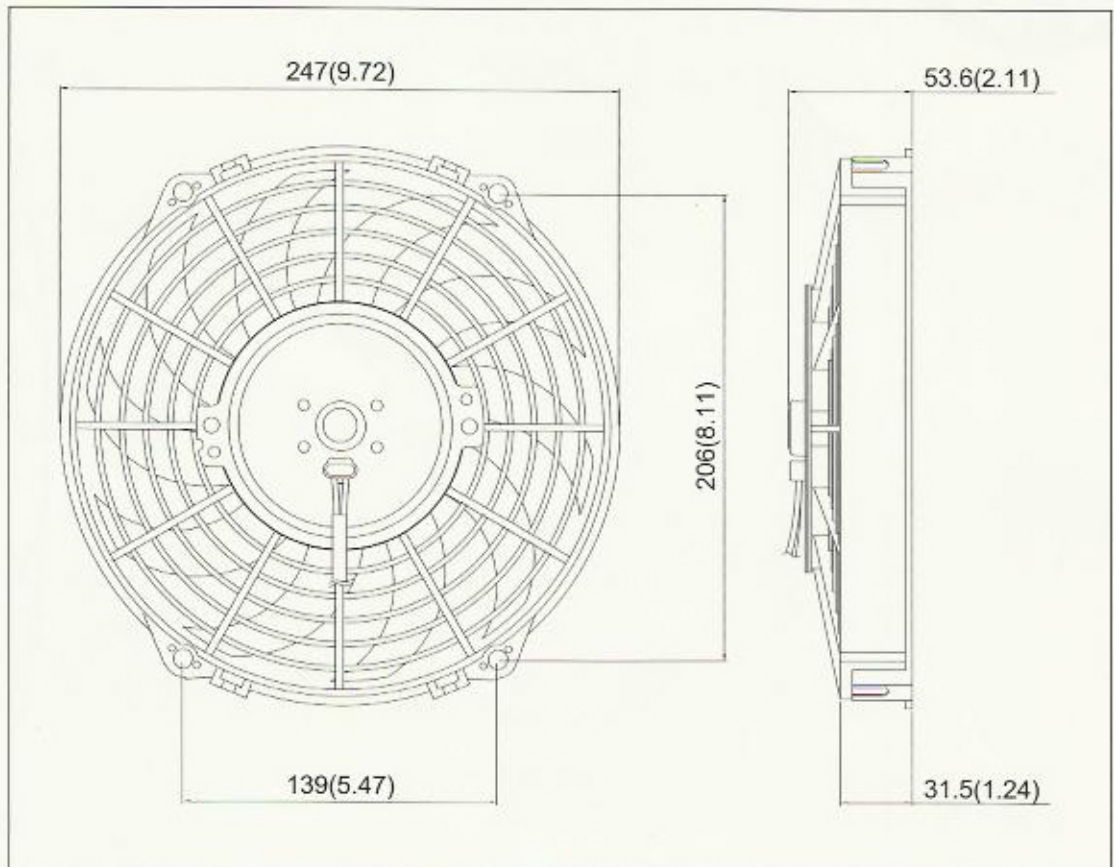
| MOTOR | MAX. CURRENT | MOTOR INPUT | SPEED | WEIGHT |
|----------------|-----------------|------------------------------|---------------------------------|---|
| 65023T-12V | 12.8 AMPS (12V) | 154 WATTS | 2800 RPM | 2450 GMS |
| 65023T-24V | 6.4 AMPS (24V) | | | |
| LIFE | RATING | SHROUD | ROTOR | AIRFLOW |
| 6500 HRS @80°C | CONTINUOUS | GLASS-FIBER POLYPROPYLENE | REVERSIBLE GLASS-FIBER NYLON | 645 LITRES/SEC (1365 CFM)@ 0 PASCALS FAN INLET PRESSURE |

ELECTRIC COOLING FAN



65025T-12V
65025T-24V

(9" COOLING FAN)



SPECIFICATIONS

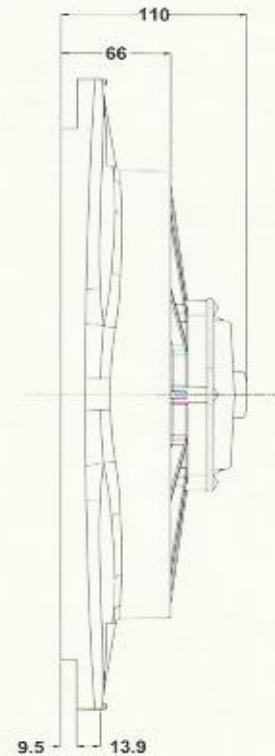
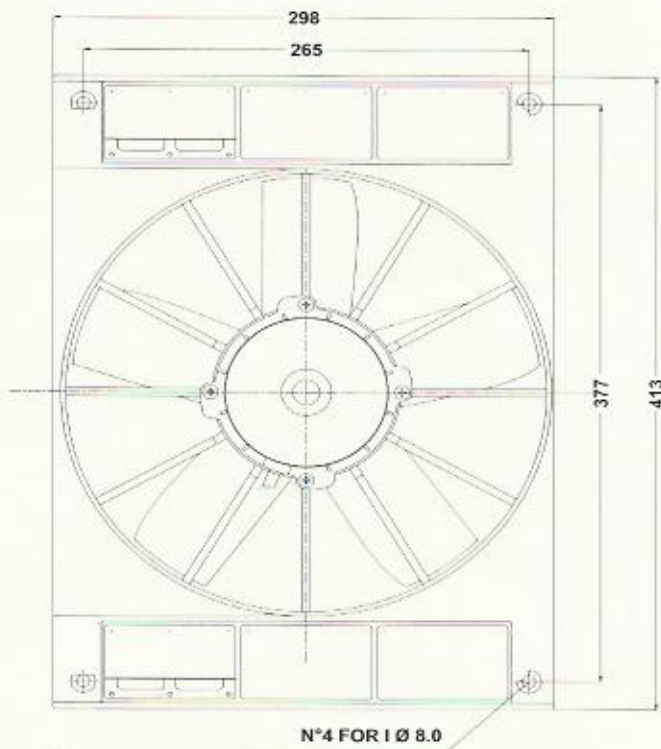
| MOTOR | MAX. CURRENT | MOTOR INPUT | SPEED | WEIGHT |
|--------------------------|------------------------------|------------------------------|----------------------------------|--|
| 65025T-12V 65025T-24V | 4 AMPS (12V) 2 AMPS (24V) | 48 WATTS | 2950 RPM | 1000 GMS |
| LIFE | RATING | SHROUD | ROTOR | AIRFLOW |
| 1500 HRS @80°C | CONTINUOUS | GLASS-FIBER POLYPROPYLENE | REVERSIBLE GLASS- FIBER NYLON | 270 LITRES/SEC (570 CFM)@ 0 PASCALS FAN INLET PRESSURE |

ELECTRIC COOLING FAN



65026T-12V
65026T-24V

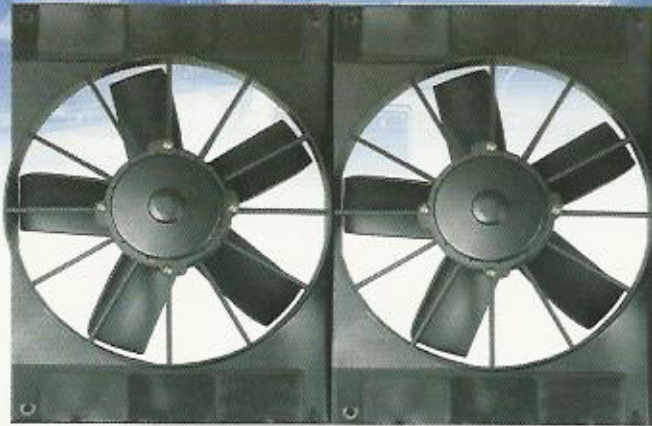
(11" COOLING FAN)



SPECIFICATIONS

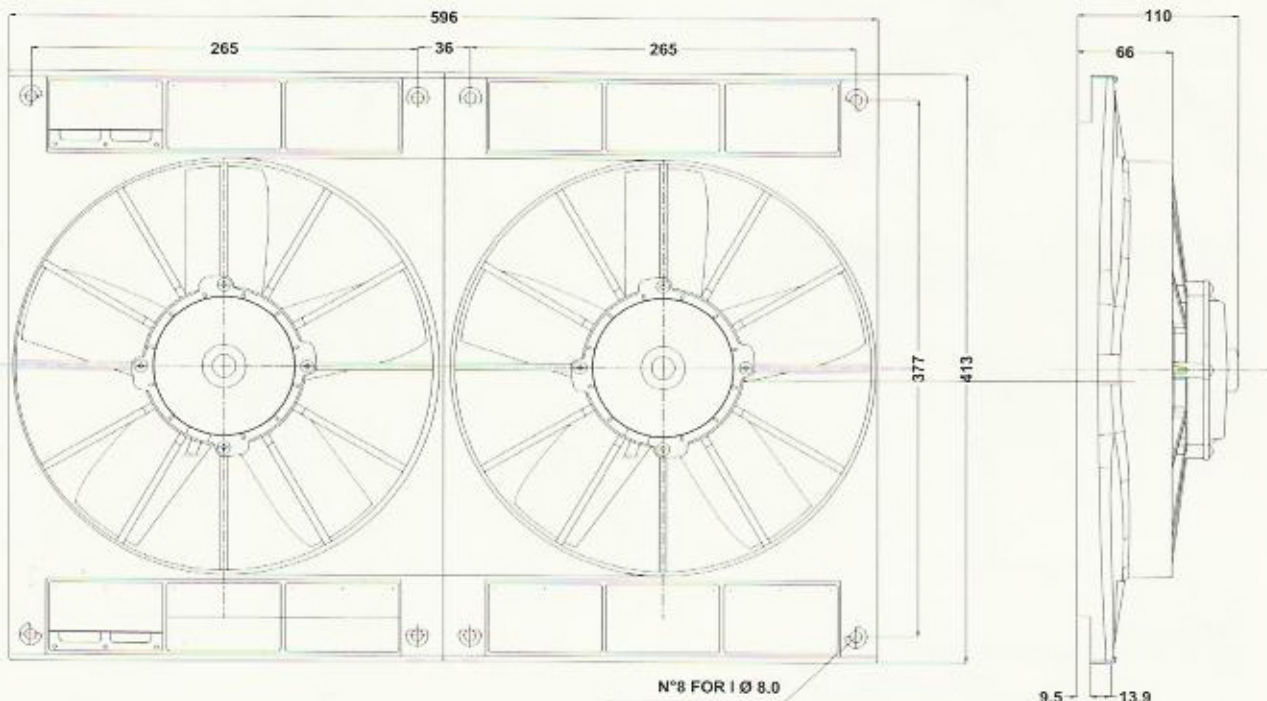
| MOTOR | MAX. CURRENT | MOTOR INPUT | SPEED | WEIGHT |
|--------------------------|-------------------------------|------------------------------------|---------------------------------|---|
| 65026T-12V 65026T-24V | 13AMPS (12V) 6.0AMPS (24V) | 156 WATTS (12V) 144 WATTS (24V) | 2900 RPM | 2250GMS |
| LIFE | RATING | SHROUD | ROTOR | AIRFLOW |
| >5000 HRS @80°C | CONTINUOUS | GLASS FIBER POLYPROPYLENE | REVERSIBLE GLASS FIBER NYLON | 588LITRES/SEC (1245CFM)@ 0 PASCALS FAN INLET PRESSURE |

ELECTRIC COOLING FAN



65027T-12V
65027T-24V

(11" DUAL COOLING FAN)



SPECIFICATIONS

| MOTOR | MAX. CURRENT | MOTOR INPUT | SPEED | WEIGHT |
|-----------------|-----------------|------------------------------|---------------------------------|---|
| 65027T-12V | 13AMPSx2 (12V) | 156WATTSx2 (12V) | 2900 RPM | 4500 GMS |
| 65027T-24V | 6.0AMPSx2 (24V) | 144WATTSx2 (24V) | | |
| LIFE | RATING | SHROUD | ROTOR | AIRFLOW |
| >5000 HRS @80°C | CONTINUOUS | GLASS FIBER POLYPROPYLENE | REVERSIBLE GLASS FIBER NYLON | 1176LITRES/SEC (2490 CFM)@ 0 PASCALS FAN INLET PRESSURE |