



Anniversary Years

Towards a new future



SL-566S / SL-566S-35

THIN TYPE SYNCHRONOUS SCISSOR LIFT

Capacity: 3.0 tons / 3.5 tons



SGS

CE

www.carleo.com.tw



Extendable Ramp

Extendable ramp for various vehicle.

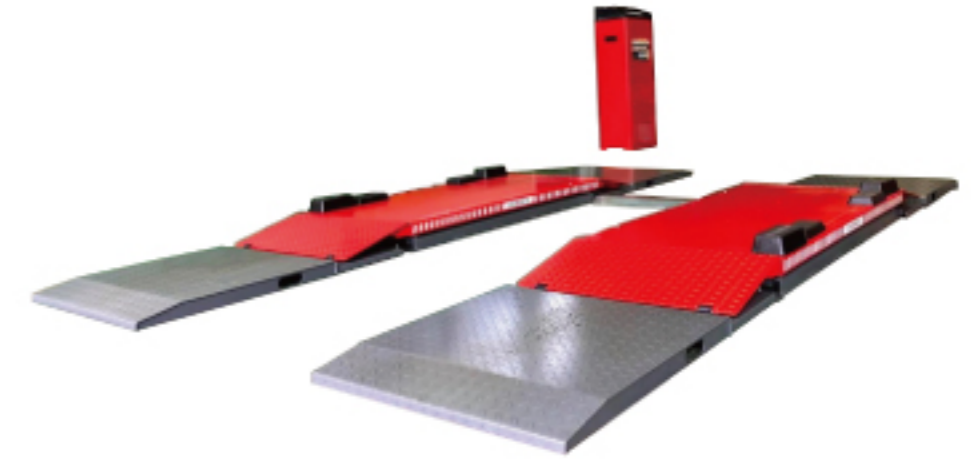


Safety Locks Device



Extra Thin Type

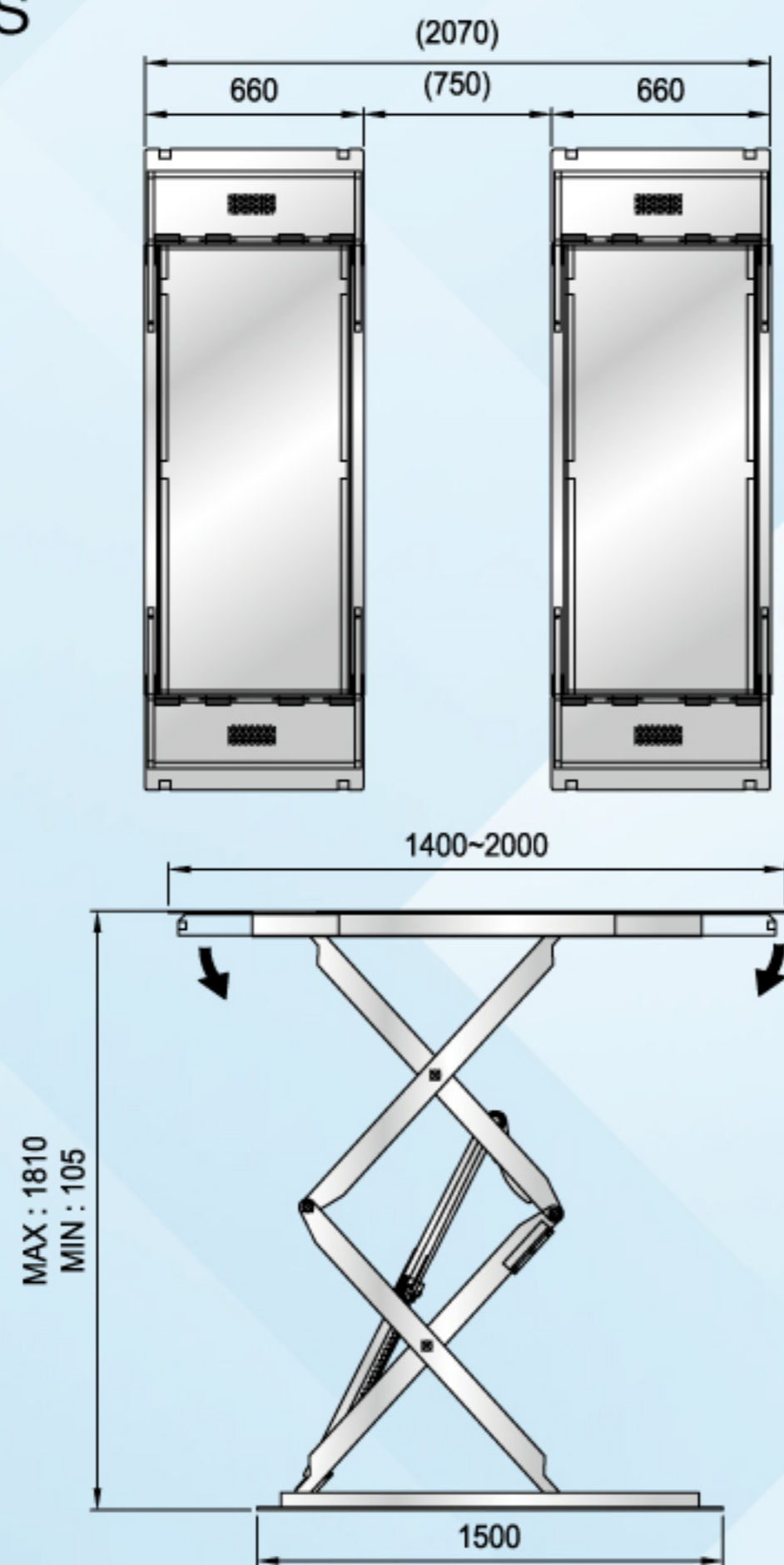
The height in rest condition
• 120mm



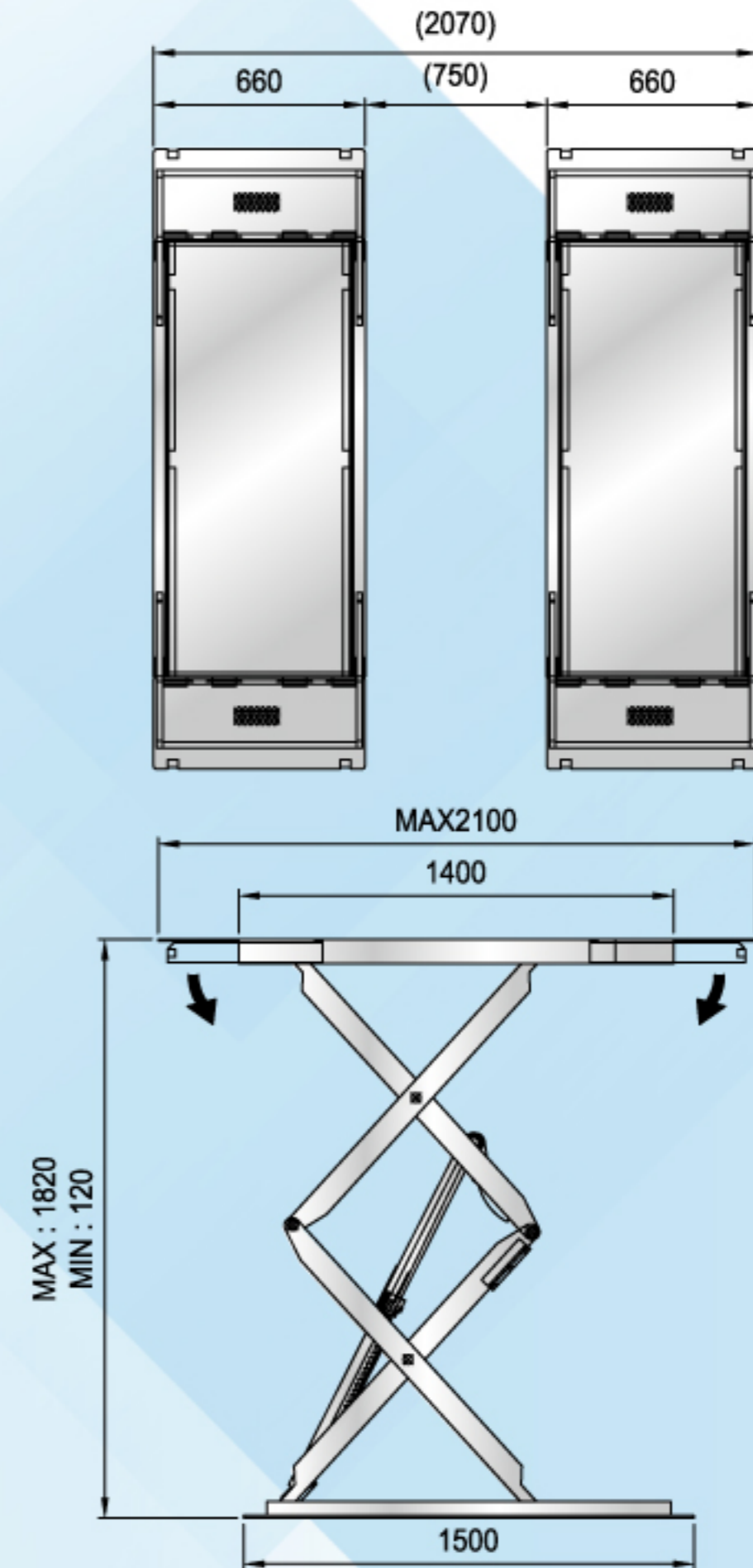
Option

Front and rear ramp on ground.

• SL-566S



• SL-566S-35



MODEL	MAX LOADING WEIGHT	LIFTING HEIGHT	HORSEPOWER	VOLTAGE	AIR PRESSURE	LIFTING TIME	OPERATION CONTROL
SL-566S	3000Kg	1705 m/m	2HP	AC 220	4~5 kg/cm ²	About 40 sec	Hydraulic Electric
SL-566S-35	3500Kg	1700 m/m		AC 380 AC 415			

CARLEO GROUP

Ming Lurn Precision Machine Co.,LTD
Hsieh Lurn Precision Machine Co.,LTD

TEL:+886-4-2699-6655 FAX:+886-4-2699-0939

E-mail: lift@carleo.com.tw ♦ http:// www.carleo.com.tw

Head Factory : No.66,Lane 2,Sec.2, Shatian Rd, Dadu District, Taichung, 43244 Taiwan

Taichung Factory : No.2,30th Rd.,Industrial Park, Taichung, 40768 Taiwan