



### Features





- ◆ Fine engineering plastic lighting head with design of heat convention provide quick heat dissipation and extends bulb service life.
- ◆ The lens holder is threaded to head shade allows bulb can be replaced just as easily, which requires no assistance of any tool.
- ◆ Various accessories apply to install lamp on different position.
- ◆ 20W and 50W halogen bulb is available.



### Specification

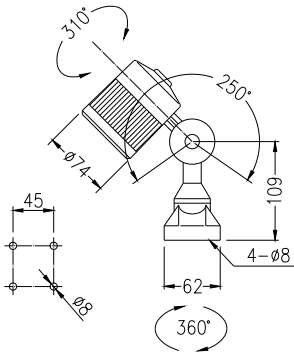
Patent	The structure improvement of heat dissipation 225215 The structure of work lighting arm joint Invention I 330239
Voltage	12V,24V(AC/DC)/ 120V/230V(Transformer request)
Power	20W/50W
Glass material	Tempered glass
Head material	Engineering Plastic
Switch	On/off switch

### Accessory(Optional)

		
	Wall Bracket	Clamp
		
Portable Stand	Magnetic Base	Table Base

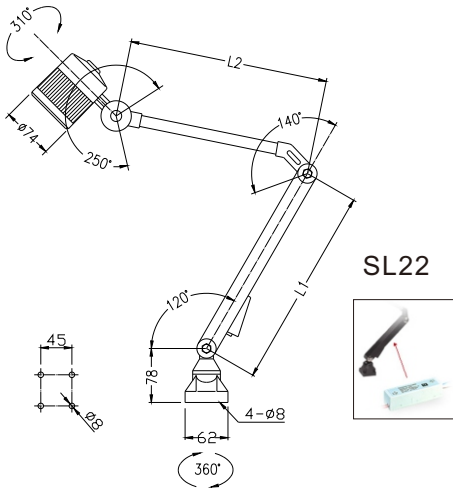


Model



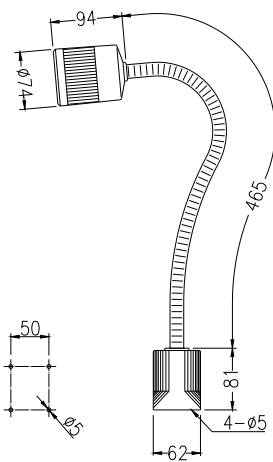
SLN

Voltage 12V/20W	Voltage 24V/20W	Voltage 12V/50W	Voltage 24V/50W	Arm length L1*L2(mm)
Model No.				
SLN	SLNP	SLNS	SLNPS	—
SL22	SL22P	SL22S	SL22PS	200*280
SL23	SL23P	SL23S	SL23PS	200*380
SL35	SL35P	SL35S	SL35PS	320*490
SL45	SL45P	SL45S	SL45PS	420*490



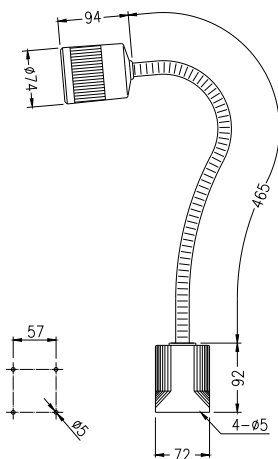
SL22

Voltage 120V/20W	Voltage 230V/20W	Voltage 120V/50W	Voltage 230V/50W	Arm length L1*L2(mm)
Model No.				
SL21-1	SL21-2	SL21S-1	SL21S-2	240*220
SL22-1	SL22-2	SL22S-1	SL22S-2	240*280
SL23-1	SL23-2	SL23S-1	SL23S-2	240*380
SL35-1	SL35-2	SL35S-1	SL35S-2	320*490
SL45-1	SL45-2	SL45S-1	SL45S-2	420*490



SLG40

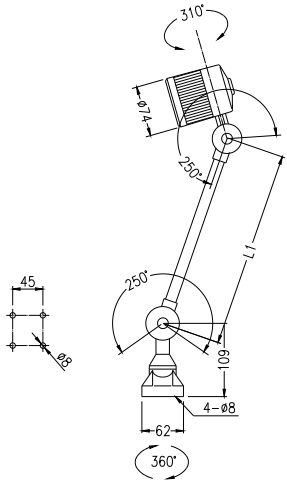
Voltage 12V/20W	Voltage 24V/20W	Voltage 12V/50W	Voltage 24V/50W	Neck length (mm)
Model No.				
SLGN	SLGNP	SLGNS	SLGNPS	—
SLG28	SLG28P	SLG28S	SLG28PS	280
SLG40	SLG40P	SLG40S	SLG40PS	465
SLG50	SLG50P	SLG50S	SLG50PS	520
SLG60	SLG60P	SLG60S	SLG60PS	620
SLG80	SLG80P	SLG80S	SLG80PS	800



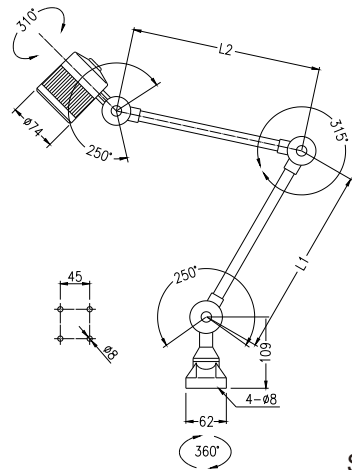
SLG40TS

Voltage 120V/20W	Voltage 230V/20W	Voltage 120V/50W	Voltage 230V/50W	Neck length (mm)
Model No.				
SLG28T-1	SLG28T-2	SLG28TS-1	SLG28TS-2	280
SLG40T-1	SLG40T-2	SLG40TS-1	SLG40TS-2	465
SLG50T-1	SLG50T-2	SLG50TS-1	SLG50TS-2	520
SLG60 T-1	SLG60 T-2	SLG60TS-1	SLG60TS-2	620
SLG80 T-1	SLG80 T-2	SLG80TS-1	SLG80TS-2	800

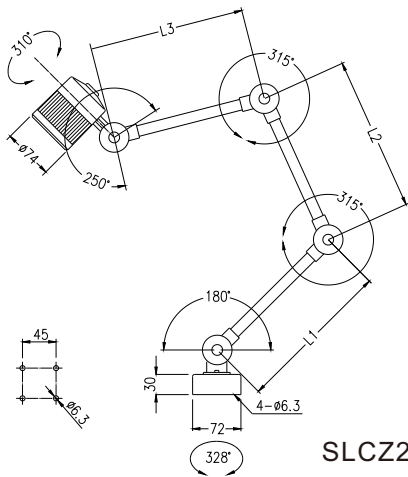
□ Model



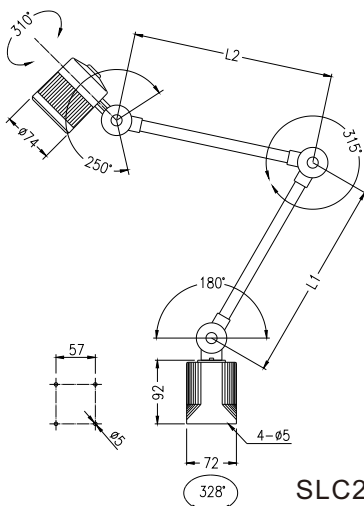
SLC20



SLC22



SLCZ22



SLC22T

Voltage 12V/20W	Voltage 24V/20W	Voltage 12V/50W	Voltage 24V/50W	Arm length (mm)
Model No.				
SLC20	SLC20P	SLC20S	SLC20 PS	280
SLC11	SLC11P	SLC11S	SLC11 PS	220*220
SLC22	SLC22P	SLC22S	SLC22 PS	280*280
SLC33	SLC33P	SLC33S	SLC33 PS	380*380
SLCZ11	SLCZ11P	SLCZ11S	SLCZ11PS	220*220*220
SLCZ22	SLCZ22P	SLCZ22S	SLCZ22PS	280*280*280
SLCZ33	SLCZ33P	SLCZ33S	SLCZ33PS	380*380*380

Voltage 120V/20W	Voltage 120V/50W	Voltage 230V/20W	Voltage 230V/50W	Arm length (mm)
Model No.				
SLCNT-1	SLCNTS-1	SLCNT-2	SLCNTS-2	—
SLC20T-1	SLC20TS-1	SLC20T-2	SLC20TS-2	280
SLC11T-1	SLC11TS-1	SLC11T-2	SLC11TS-2	220*220
SLC22T-1	SLC22TS-1	SLC22T-2	SLC22TS-2	280*280
SLC33T-1	SLC33TS-1	SLC33T-2	SLC33TS-2	380*380
SLCZ11T-1	SLCZ11TS-1	SLCZ11T-2	SLCZ11TS-2	220*220*220
SLCZ22T-1	SLCZ22TS-1	SLCZ22T-2	SLCZ22TS-2	280*280*280



◀ Heat convection design provides quick heat dissipation and extends bulb service life.



◀ Low-voltage, low-pressure pin-base lamps and reflector lamps are available.



**EMINENT MAIN** INDUSTRIAL CO., LTD.  
[www.eminent.com.tw](http://www.eminent.com.tw)

No.122, Yonglong Rd., Dali Dist., Taichung City 41257 Taiwan R.O.C.  
 Tel: +886-4-24075805 Fax: +886-4-24075806  
 eminentm@ms53.hinet.net