



金上源機械有限公司

KING SHANG YUAN MACHINERY CO.,LTD.

# 自動化、省力化之機械設備設計製造

We Design and Manufacture Automatic Labor-saving Machinery Equipment



>>> KING SHANG YUAN MACHINERY CO.,LTD.

### KSY-015H~KSY-500H (1.5Ton~50Ton)



### 加工範例 Example



#### 機械特性：

##### Mechanical characteristics:

- 節能省電、耗材少、低噪音。
- Low energy consumption, less consumable parts, low noise level.
- 速度快、高出力、產能效率高。
- High speed, high output, high efficiency.
- 油壓壓力、沖頭位置、下死點精度位置，調整簡單容易。
- Easy precise adjustment of Oil pressure, head punch location, and lower dead point.
- 附加裝置：安全光柵、自動夾模器、機械手及送料機。
- Add on accessories: safety light curtain, die clamp, robot arm, and feeder.
- 控制方式：自動控制PLC、雙手按鈕操作，離手沖頭即回原位，防止二次沖壓。
- Control mold: Auto PLC control, buttons operated by both hands simultaneously, head punch home-return on hands-off, double pressing prevention.
- 可單台操作、多台連線操作或與其它週邊設備自動化連線作業。
- Capable of being using as single operation equipment or one of the serial automatic manufacturing system.
- 雙手按鈕操作：全系列機型標準配備，離手沖頭回原位，雙手同按按鈕秒差為0.5秒。
- Safety operation by both hands simultaneously, head punch returns to original position as soon as hands off, time delay between two hands are less than 0.5 seconds.

#### 適用範圍：

##### Applications:

- 擴管成型、縮管成型。
- Tubing enlarging and reducing.
- 沖孔成型、沖切成型。
- Punching, stamping, forming, and cutting.
- 拉伸成型、折彎成型。
- Drawing, bending.
- 鉚合、植釘、打字。
- Riveting, piercing, typing.
- 薄片、雙層料半斷、全斷。
- Thin plate shearing, shear through and/or half.
- 防鬆螺帽壓點成型。
- Components inserting, such as anti-vibrating nut.

#### 自動化沖床設計製造

可單台或多台全自動操作或與其它週邊設備連結操作

#### Automatic Punch Presses

We provide automatic single-stage models and multi-stage models, as well as models that work with peripheral equipment

#### 營業項目：

油壓沖床、轉盤式油壓沖床、轉盤加工組立機、專用機、自動化機械設計製造

#### Main Products:

Hydraulic Presses, Rotatory-type Hydraulic Presses, Rotatory-type processing and assembly machines, Special-purpose machines, and other automatic machines.

41279 台中市大里區慈善路132號

No.132, Cishan Rd., Dali Dist.,

Taichung City 41279, Taiwan

TEL:886-4-2496-7376 FAX:886-4-2496-7732

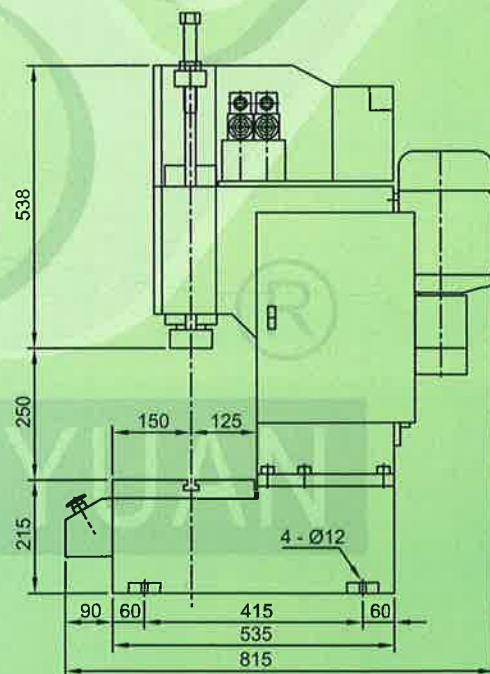
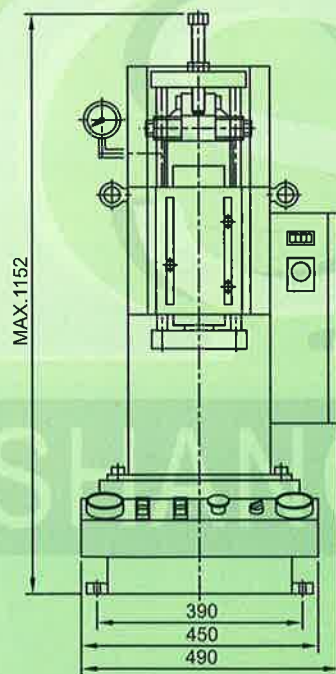
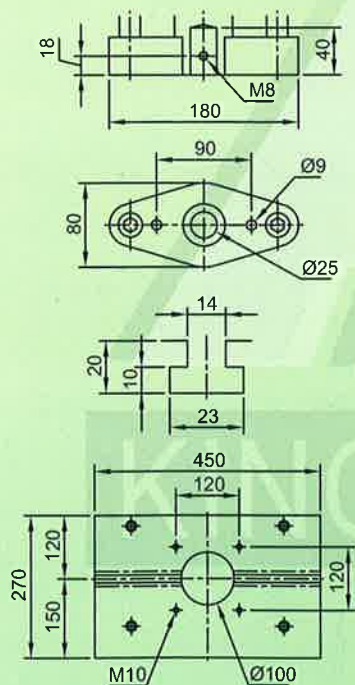
http://www.ksy-machine.com

E-mail: king@ksy-machine.com

# KSY-015H • KSY-040H



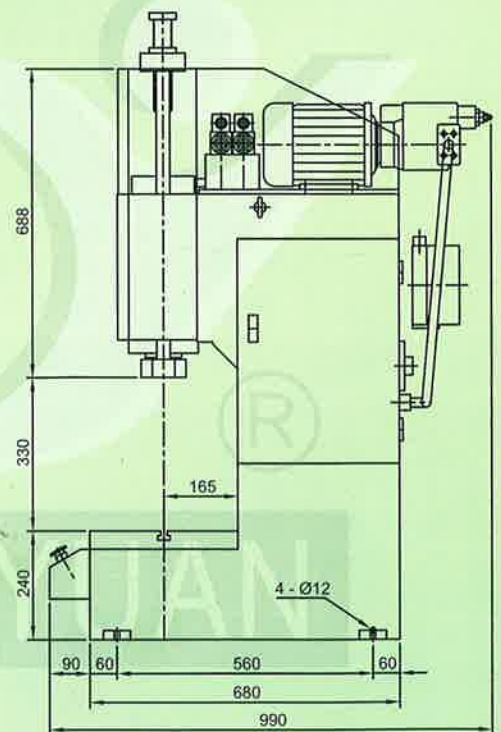
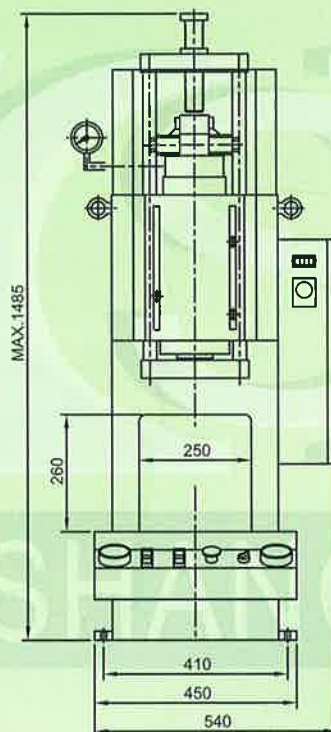
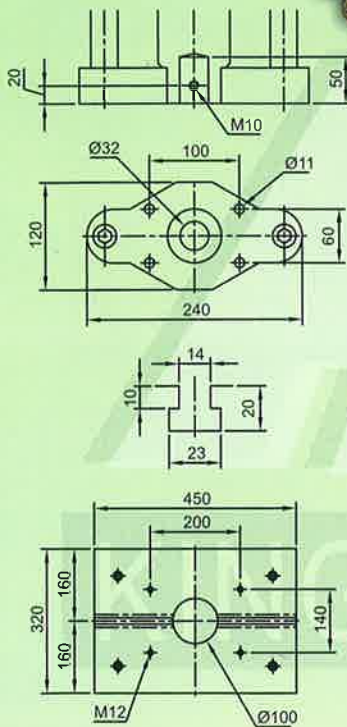
型 式 Model	KSY-015H	KSY-040H
壓力能力 Pressure Capacity	2.5~15 KN (1.5 ton)	8~40 KN (4 ton)
壓力範圍 Pressure Range	20~120 kg/cm <sup>2</sup>	25~128 kg/cm <sup>2</sup>
行 程 Stroke	20~150 mm	25~150 mm
下降速度 Descending Speed	180 mm/sec	300 mm/sec
加壓速度 Pressing Speed	50 mm/sec	50 mm/sec
上升速度 Ascending Speed	190 mm/sec	270 mm/sec
電 源 Power	3Ø AC220V	3Ø AC220V
馬 達 Motor	0.75 Kw-4P	1.5 Kw-4P
台面尺寸 Table Size	450x270 mm	450x270 mm
本體重量 Body Weight	220 kg	360 kg
油溫冷卻 Oil Temperature Cooling	○	○



# KSY-075H·KSY-100H

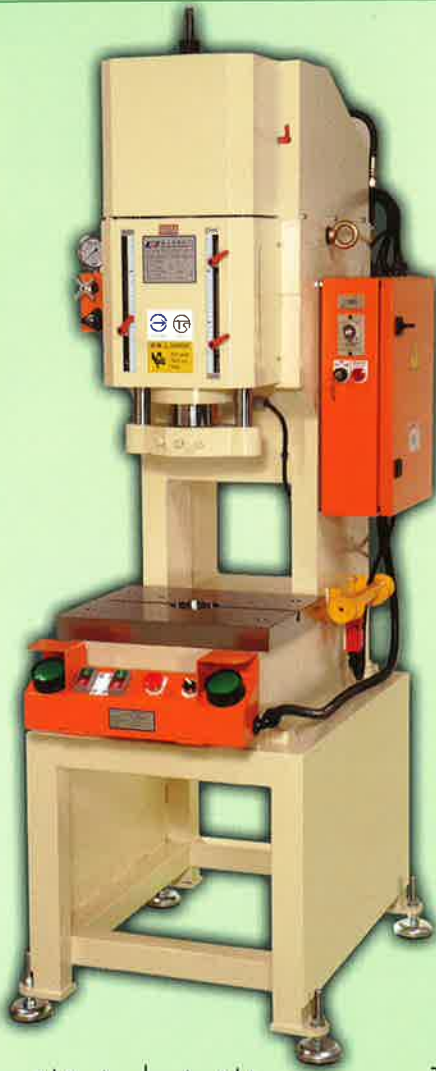


型 式 Model	KSY-075H	KSY-100H
壓力能力 Pressure Capacity	15~75 KN (7.5 ton)	15~98 KN (10 ton)
壓力範圍 Pressure Range	40~118 kg/cm <sup>2</sup>	40~154 kg/cm <sup>2</sup>
行 程 Stroke	30~200 mm	30~200 mm
下降速度 Descending Speed	320 mm/sec	320 mm/sec
加壓速度 Pressing Speed	22 mm/sec	22 mm/sec
上升速度 Ascending Speed	330 mm/sec	330 mm/sec
電 源 Power	3Ø AC220V	3Ø AC220V
馬 達 Motor	1.5 Kw-4P	2.2 Kw-4P
台面尺寸 Table Size	450x320 mm	450x320 mm
本體重量 Body Weight	580 kg	670 kg
油溫冷卻 Oil Temperature Cooling	○	○

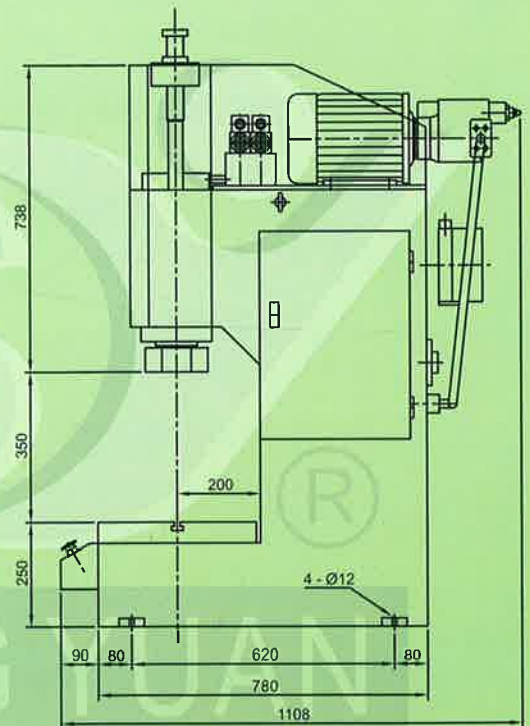
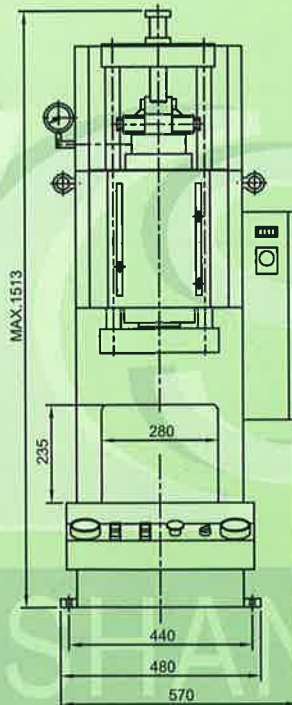
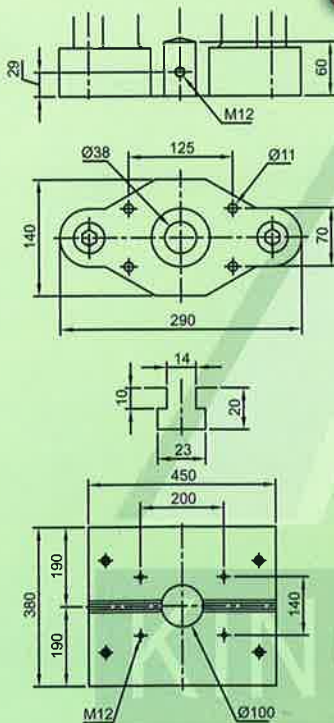




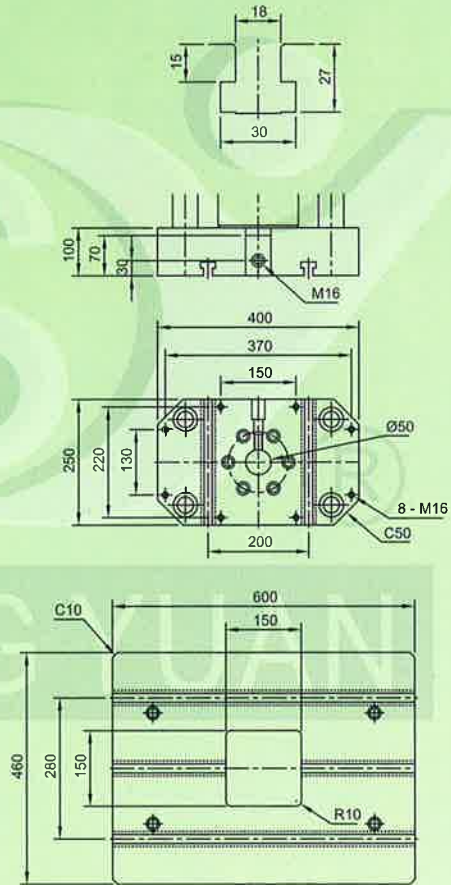
# KSY-150H·KSY-200H



型 式 Model	KSY-150H	KSY-200H
壓力能力 Pressure Capacity	25~148 KN (15 ton)	35~198 KN (20 ton)
壓力範圍 Pressure Range	40~158 kg/cm <sup>2</sup>	40~150 kg/cm <sup>2</sup>
行 程 Stroke	30~200 mm	30~200 mm
下降速度 Descending Speed	300 mm/sec	220 mm/sec
加壓速度 Pressing Speed	20 mm/sec	16 mm/sec
上升速度 Ascending Speed	270 mm/sec	230 mm/sec
電 源 Power	3Ø AC220V	3Ø AC220V
馬 達 Motor	2.2 Kw-4P	2.2 Kw-4P
台面尺寸 Table Size	450x380 mm	450x380 mm
本體重量 Body Weight	780 kg	890 kg
油溫冷卻 Oil Temperature Cooling	○	○



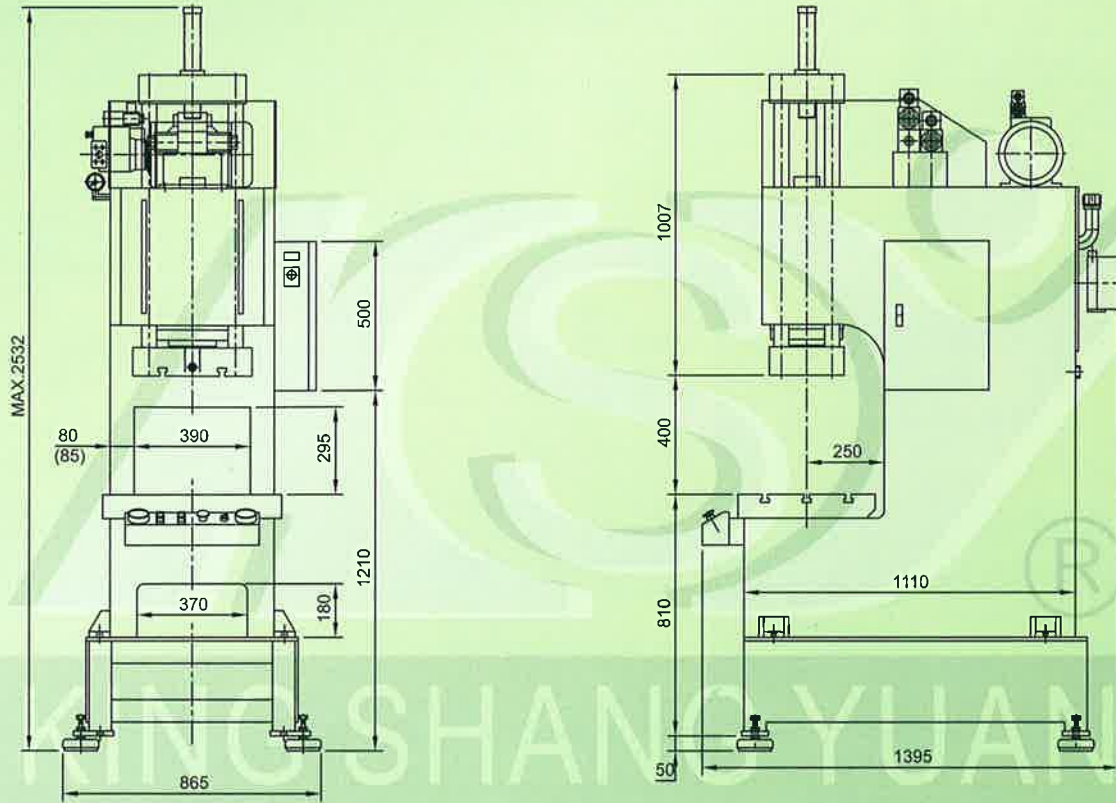
# ✓ KSY-300H/400H/500H



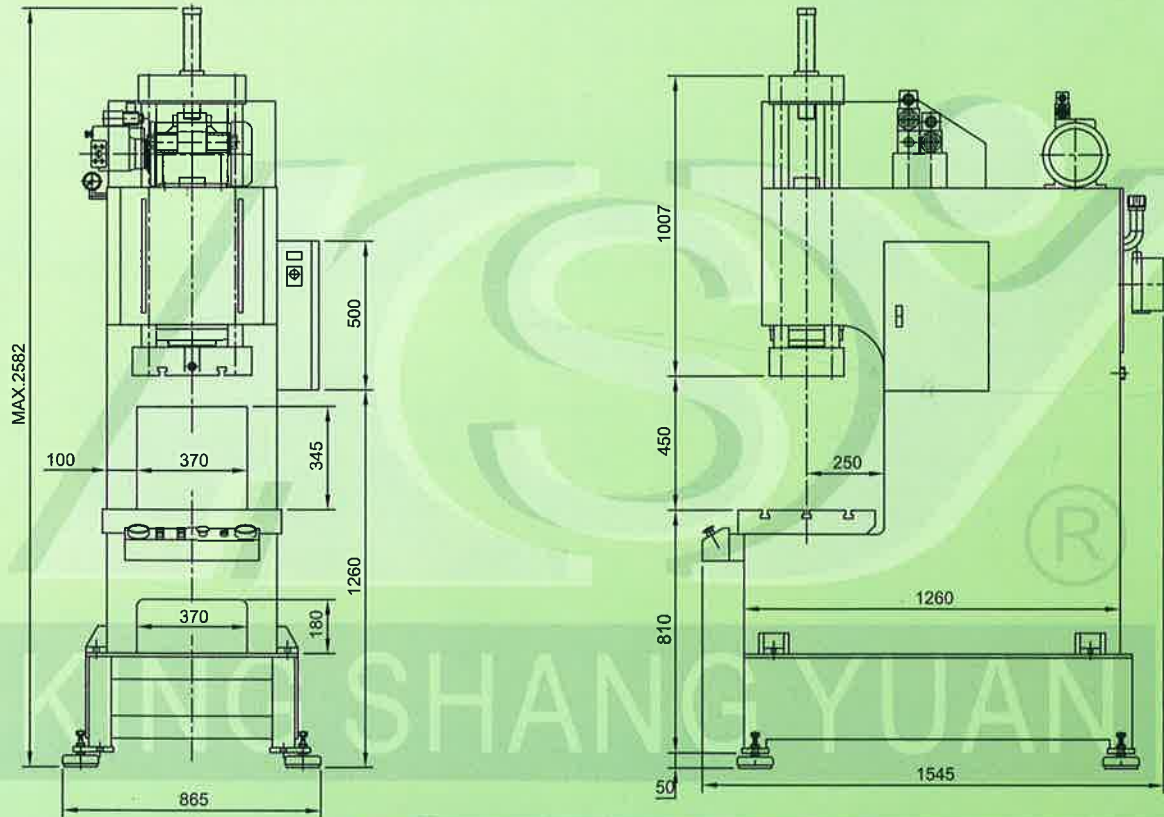
型 式 Model	KSY-300H	KSY-400H	KSY-500H
壓力能力 Pressure Capacity	80~150 KN (30 ton)	100~400 KN (40 ton)	120~500 KN (50 ton)
壓力範圍 Pressure Range	40~150 kg/cm <sup>2</sup>	40~156 kg/cm <sup>2</sup>	47~196 kg/cm <sup>2</sup>
行 程 Stroke	30~250 mm	30~250 mm	30~250 mm
下降速度 Descending Speed	180 mm/sec	170 mm/sec	170 mm/sec
加壓速度 Pressing Speed	31 mm/sec	20 mm/sec	20 mm/sec
上升速度 Ascending Speed	170 mm/sec	140 mm/sec	140 mm/sec
電 源 Power	3Ø AC220V	3Ø AC220V	3Ø AC220V
馬 達 Motor	3.75 Kw-4P	3.75 Kw-4P	5.6 Kw-4P
台面尺寸 Table Size	600x460 mm	600x460 mm	600x460 mm
本體重量 Body Weight	2185 kg	2330 kg	2365 kg
油溫冷卻 Oil Temperature Cooling	○	○	○



# KSY-300H • KSY-400H



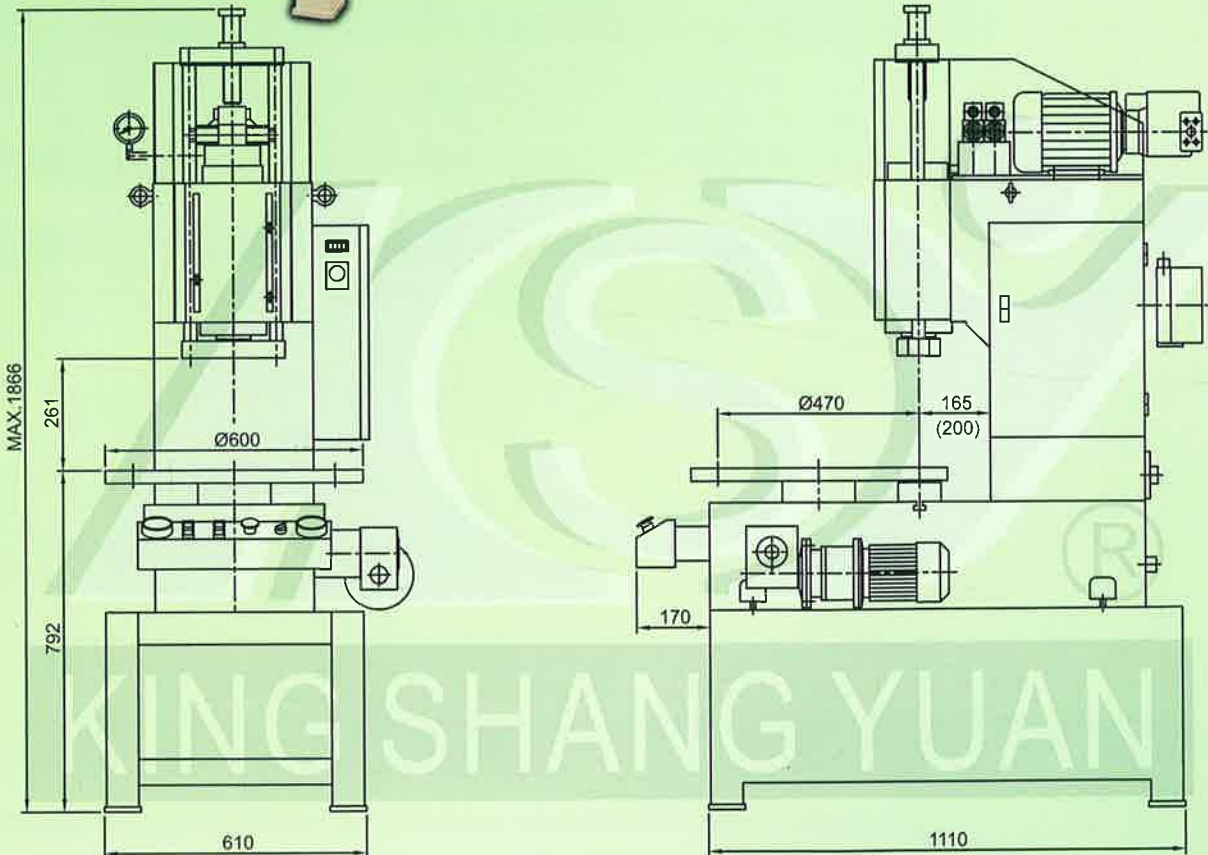
# KSY-500H



# ✓ KSY-D075H/D150H



型 式 Model	KSY-D075H	KSY-D150H
分度盤馬達 Indexing Disk Motor	0.4 Kw-4P	0.4 Kw-4P
圓 盤 徑 Disk Diameter	Ø 600 mm	Ø 600 mm
模具固定位置 Molding Fixed Position	Ø 470 mm	Ø 470 mm
本體重量 Body Weight	880 kg	1080 kg
分度等分 Indexing	4/6/8	4/6/8
喉 深 Throat Depth	165 mm	200 mm
油溫冷卻 Oil Temperature Cooling	○	○







# KSY-150H-R



型 式 Model	KSY-150H-R	
壓力能力 Pressure Capacity	25~148 KN (15 ton)	
壓力範圍 Pressure Range	40~158 kg/cm <sup>2</sup>	
行 程 Stroke	30~200 mm	
下降速度 Descending Speed	300 mm/sec	
加壓速度 Pressing Speed	20 mm/sec	
上升速度 Ascending Speed	270 mm/sec	
電 源 Power	3Ø AC220V	
馬 達 Motor	2.2 Kw-4P	
台面尺寸 Table Size	450x380 mm	
本體重量 Body Weight	780 kg	
油溫冷卻 Oil Temperature Cooling	○	





### 油溫冷卻裝置 Oil temperature cooling device

- 一般油壓機作動時會使油溫上升、降低液壓油黏度，造成油壓機壓力不穩定使零組件壽命縮短。
- KSY油壓快速沖壓機採用環保風扇空氣冷卻裝置，熱交換佳、溫升小。可延長油壓零組件壽命、壓力穩定。
- The movement of hydraulic mechanism will raise the oil temperature, reduce the viscosity of lubricant, cause oil pressure unstable, and shorten component life.
- KSY Hydraulic High Speed Punching Machine adopts environmental friendly air cooling system design, which has excellent heat exchangeability and small oil temperature coefficient; makes components longer life, and keeps oil pressure more stable.



### 下死點定位裝置 Lower dead point locating device

- 安定下死點精度，調整使用方式以機械式手動調整。
- 用於下限定點控制，以確保可靠準確之精度；保護沖頭沖壓時深度不會過深。
- 沖頭下壓動作為壓力控制時，此裝置則不需使用。此裝置外圍有板金護罩保護。
- Locate the lower dead point precisely, adjust manually, mechanically.
- Control the location of lower dead point precisely, keep the location accurately, maintain the depth of the pressing neck exactly.
- No need to use this device when the die head moving down as a pressure control. The machine has outside cover protection.



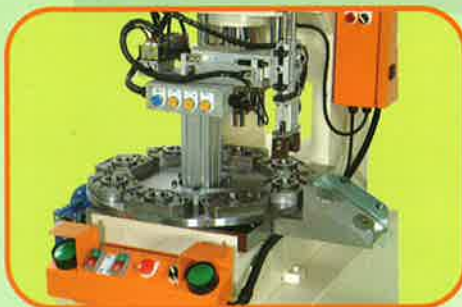
### 對照式安全光柵 Safety Light Curtain

- 採用對照安全光柵，選購條件：防護高度及解析度則需視不同機型而訂。
- 在操作機台過程若安全光柵有碰觸或有異物時，沖頭即停止下降或不再有動作。
- Adopting safety light curtain. Application: Specified according to the protection height and machine model.
- If light safety curtain touches anything during operating the machine, die head will stop immediately.



### Limit sensor 位置調整 Limit sensor location adjustment

- 調整裝置設計於機台正面方便快速調整。
- 上限sensor、慢速sensor、下限sensor，調整容易簡單，不需使用工具。
- Device is located in the front of the machine for easy adjustment.
- Upper limit sensor, slow speed sensor, and lower limit sensor are all easily adjustable; no other tools are required.



### 轉盤機構：附加取出機械手：Rotatory device with unloading system

- 採用凸輪分割器，速度快、定位精度高。
- 馬達驅動，剎車離合器控制起動、停止；扭力限制器過負載保護。
- 可單機作業或設計為自動化專用機。
- Adopting cam type dial design with fast responding and accurate position locating.
- Designed with motor driven, brake clutch start / stop, and torque limiter over load protection.
- Capable of being using as individual operation equipment or one of the serial automatic manufacturing system.



### 快速換模裝置 Quick Die Change System

- 快速換模，節省人力。
- Exchanging Die/ Mold are more quick and accurate.

## 油壓專用機範例 Hydraulic automatic machines example

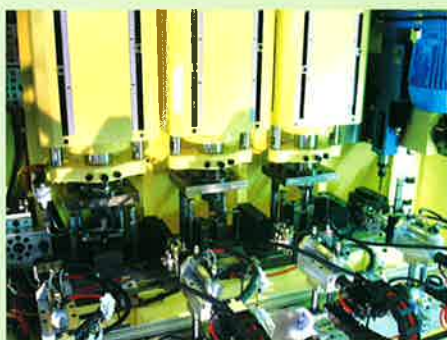
**圓盤式二工作站沖壓專用機**  
Two-stage disc type automatic press



**圓盤式自動化組立裝配機**  
Disk-Type automatic assembly machine



**多工程自動化沖壓專用機**  
Multi-Stage automatic press



**防鬆螺帽壓點專用機**  
Special-purpose machine such as locknuts pressing dot



**NC數控全自動鉗孔機**  
適用圓管材、圓棒材軸向鉗孔  
(Automatic NC Drilling Machine)  
To be used for the axial drilling of round tubes ND BARS.  
**KSY-2000/KSY-1000**



**圓盤八分度鉗孔、搪孔、攻牙機**  
Eight-graduation disc drilling, boring, and tapping machine  
**KSY-0807**



適用範圍：  
外徑：14mm-25mm • 6mm-13mm  
長度：200mm-2000mm • 100mm-1000mm  
Applications  
Outer diameter：14mm to 25mm  
Length：200mm to 2000mm



圓盤式二工作站沖壓機 Disk-Type Hydraulic Press(2 Stages)



圓盤式三工作站沖壓機 Disk-Type Hydraulic Press (3 Stages)



滑台式油壓沖壓機 Linear Guideway Type Hydraulic Punching Machine



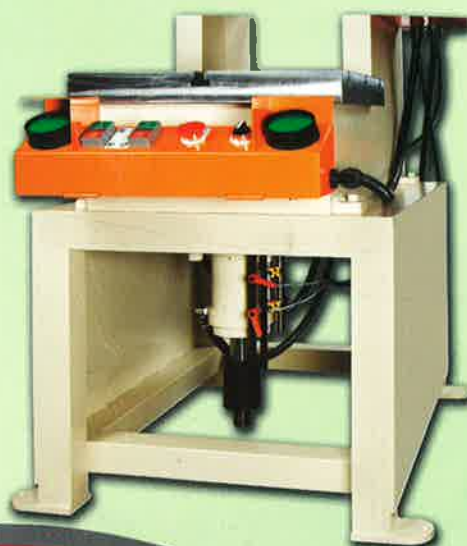
滑台式雙工作站油壓沖壓機 Linear Guideway Type Double Stages Hydraulic Punching Machine



CE型式油壓快速沖壓機 CE Type Hydraulic Punching Machine



脫模頂出裝置 Mold Lift Device



金上源機械有限公司

KING SHANG YUAN KING SHANG YUAN MACHINERY CO.,LTD.

41279 台中市大里區慈善路132號  
No.132, Cishan Rd., Dali Dist.,  
Taichung City 41279, Taiwan

TEL:886-4-2496-7376 FAX:886-4-2496-7732  
<http://www.ksy-machine.com>  
E-mail:king@ksy-machine.com