

We can produce
customized models
& designs with
customer`s requirement.



SHENG CHYUAN

Router Bits Shaper Cutter END MILL

<http://www.scrouter.com.tw>

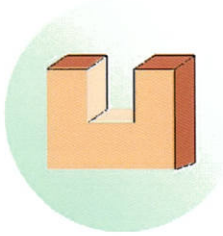


INDEX

P.01	STRAIGHT BITS
P.02	STRAIGHT BITS , SUPER-DUTY STRAIGHT BITS
P.03	STRAIGHT BITS
P.04	SUPER-DUTY STRAIGHT BITS , STAIR TREAD ROUTING & BOTTOM CLEANING BITS
P.05	FLUSH TRIM BITS , SUPER-DUTY FLUSH TRIM BITS , FLUSH TRIMMING BITS
P.06	BEVEL TRIM BITS , "V" GROOVE BITS
P.07	"V" GROOVE BITS , DOVETAIL BITS
P.08	DOVETAIL BITS
P.09	CORE BOX BITS , ROUND NOSE BITS
P.10	ROUND OVER BITS , BEADING BITS
P.11	45° CHAMFER BITS , "T" SLOTTING BITS , HINGE BORING BITS
P.12	SOLID CARBIDE SLANTING BITS
P.13	SOLID CARBIDE SPIRAL
P.14	SOLID CARBIDE SPIRAL PLUNGE
P.15	SOLID CARBIDE ROUGHING SPIRAL BITS
P.16	COMPRESSION UP/DOWN SPIRAL BITS
P.17	STRAIGHT BITS WITH SOLID CARBIDE INSERT
P.18	SPIRAL BITS WITH SOLID CARBIDE INSERT
P.19	TCT-DOWEL DRILLS
P.20	BALL BEARING , ROUTER COLLET REDUCERS WITH HEAT-TREATED

STRAIGHT BITS

ONE FLUTE

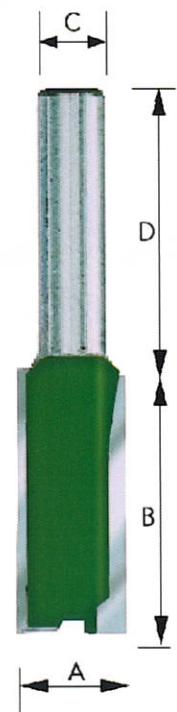
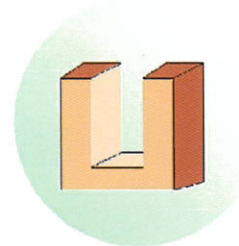


Item NO	A	B	C	D
001.032.2	1/8	3/8	1/4	1-1/4
001.033.2	1/8	1/2	1/4	1-1/4
001.040.2	5/32	1/2	1/4	1-1/4
001.048.2	3/16	1/2	1/4	1-1/4
001.064.2	1/4	3/4	1/4	1-1/4
001.065.2	1/4	1	1/4	1-1/4
001.032.4	1/8	3/8	1/2	1-1/4
001.033.4	1/8	1/2	1/2	1-1/4
001.040.4	5/32	1/2	1/2	1-1/4
001.048.4	3/16	1/2	1/2	1-1/4
001.064.4	1/4	3/4	1/2	1-1/4
001.065.4	1/4	1	1/2	1-1/4
001.080.4	5/16	1	1/2	1-1/4
001.095.4	3/8	1	1/2	1-1/4
001.127.4	1/2	1	1/2	1-1/4
001.128.4	1/2	1-1/4	1/2	1-1/4
001.129.4	1/2	1-1/2	1/2	1-1/4
001.130.4	1/2	2	1/2	1-1/4

STRAIGHT BITS

TWO FLUTES, 1/4" SHANK

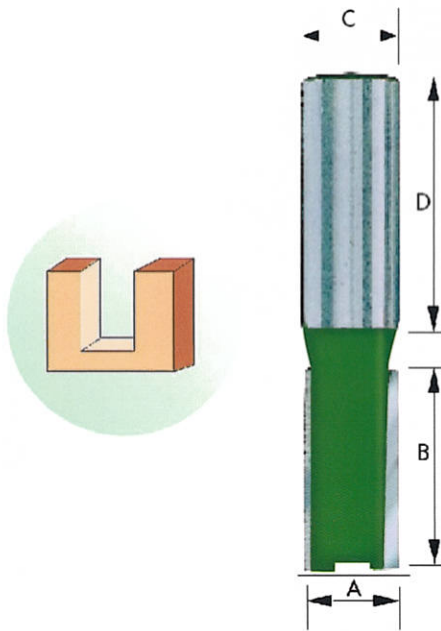
Item NO	A	B	C	D
002.060.2	15/64	3/4	1/4	1-1/4
002.064.2	1/4	3/4	1/4	1-1/4
002.065.2	1/4	1	1/4	1-1/4
002.080.2	5/16	3/4	1/4	1-1/4
002.081.2	5/16	1	1/4	1-1/4
002.082.2	5/16	1-1/4	1/4	1-1/4
002.095.2	3/8	3/4	1/4	1-1/4
002.096.2	3/8	1	1/4	1-1/4
002.097.2	3/8	1-1/4	1/4	1-1/4
002.111.2	7/16	3/4	1/4	1-1/4
002.112.2	7/16	1	1/4	1-1/4
002.123.2	31/64	1	1/4	1-1/4
002.127.2	1/2	3/4	1/4	1-1/4
002.128.2	1/2	1	1/4	1-1/4
002.129.2	1/2	1-1/4	1/4	1-1/4
002.143.2	9/16	3/4	1/4	1-1/4
002.144.2	9/16	1	1/4	1-1/4
002.160.2	5/8	3/4	1/4	1-1/4
002.161.2	5/8	1	1/4	1-1/4
002.183.2	23/32	1	1/4	1-1/4
002.190.2	3/4	3/4	1/4	1-1/4
002.191.2	3/4	1	1/4	1-1/4
002.222.2	7/8	3/4	1/4	1-1/4
002.223.2	7/8	1	1/4	1-1/4
002.254.2	1	3/4	1/4	1-1/4
002.255.2	1	1	1/4	1-1/4
002.256.2	1	1-1/4	1/4	1-1/4





STRAIGHT BITS

TWO FLUTES, 1/2" SHANK



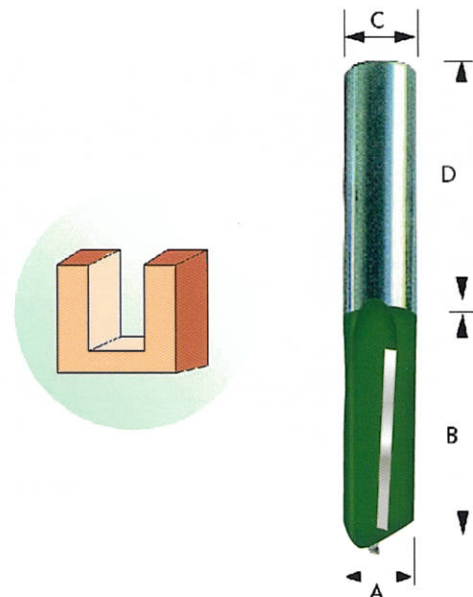
Item NO	A	B	C	D
002.064.4	1/4	3/4	1/2	1-1/4
002.065.4	1/4	1	1/2	1-1/4
002.080.4	5/16	3/4	1/2	1-1/4
002.081.4	5/16	1	1/2	1-1/4
002.095.4	3/8	1	1/2	1-1/4
002.096.4	3/8	1-1/4	1/2	1-1/4
002.111.4	7/16	1	1/2	1-1/4

Item NO	A	B	C	D
002.112.4	7/16	1-1/4	1/2	1-1/4
002.123.4	31/64	1	1/2	1-1/4
002.127.4	1/2	1	1/2	1-1/4
002.128.4	1/2	1-1/4	1/2	1-1/4
002.129.4	1/2	1-1/2	1/2	1-1/4
002.130.4	1/2	2	1/2	1-1/4
002.131.4	1/2	2-1/2	1/2	1-1/4
002.143.4	9/16	1	1/2	1-1/4
002.144.4	9/16	1-1/4	1/2	1-1/4
002.160.4	5/8	1	1/2	1-1/2
002.161.4	5/8	1-1/4	1/2	1-1/2
002.162.4	5/8	1-1/2	1/2	1-1/2
002.163.4	5/8	2	1/2	1-1/2
002.175.4	11/16	1	1/2	1-1/2
002.183.4	23/32	1	1/2	1-1/2
002.190.4	3/4	1	1/2	1-1/2
002.191.4	3/4	1-1/4	1/2	1-1/2
002.192.4	3/4	1-1/2	1/2	1-1/2
002.193.4	3/4	2	1/2	1-1/2
002.222.4	7/8	1	1/2	1-1/2
002.223.4	7/8	1-1/4	1/2	1-1/2
002.224.4	7/8	1-1/2	1/2	1-1/2
002.254.4	1	1	1/2	1-1/2
002.255.4	1	1-1/4	1/2	1-1/2
002.256.4	1	1-1/2	1/2	1-1/2
002.286.4	1-1/8	1-1/4	1/2	1-1/2
002.320.4	1-1/4	1-1/4	1/2	1-1/2
002.321.4	1-1/4	1-1/2	1/2	1-1/2

SUPER-DUTY STRAIGHT BITS

TWO FLUTES

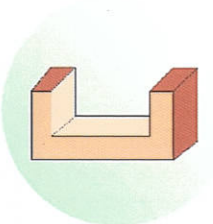
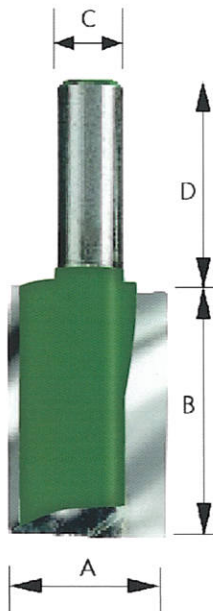
Item NO	A	B	C	D
003.095.2	3/8	1	1/4	1-1/4
003.127.2	1/2	1	1/4	1-1/4
003.128.2	1/2	1-1/4	1/4	1-1/4
003.160.2	5/8	1	1/4	1-1/4
003.161.2	5/8	1-1/4	1/4	1-1/4
003.095.4	3/8	1	1/2	1-1/2
003.127.4	1/2	1-1/4	1/2	1-1/2
003.128.4	1/2	1-1/2	1/2	1-1/2
003.160.4	5/8	1-1/4	1/2	1-1/2
003.161.4	5/8	1-1/2	1/2	1-1/2
003.190.4	3/4	1-1/4	1/2	1-1/2
003.191.4	3/4	1-1/2	1/2	1-1/2
003.222.4	7/8	1-1/4	1/2	1-1/2
003.223.4	7/8	1-1/2	1/2	1-1/2





STRAIGHT BITS

TWO FLUTES, BOTTOM CUTTER INSERT FOR PLUNGE CUTTING

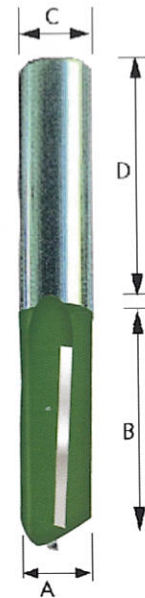
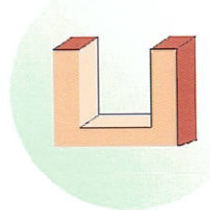


Item NO	A	B	C	D
004.095.2	3/8	3/4	1/4	1-1/4
004.096.2	3/8	1	1/4	1-1/4
004.111.2	7/16	3/4	1/4	1-1/4
004.112.2	7/16	1	1/4	1-1/4
004.127.2	1/2	3/4	1/4	1-1/4
004.128.2	1/2	1	1/4	1-1/4
004.143.2	9/16	3/4	1/4	1-1/4
004.144.2	9/16	1	1/4	1-1/4
004.160.2	5/8	3/4	1/4	1-1/4
004.161.2	5/8	1	1/4	1-1/4
004.190.2	3/4	3/4	1/4	1-1/4
004.191.2	3/4	1	1/4	1-1/4
004.222.2	7/8	3/4	1/4	1-1/4
004.223.2	7/8	1	1/4	1-1/4
004.254.2	1	3/4	1/4	1-1/4
004.255.2	1	1	1/4	1-1/4
004.095.4	3/8	1	1/2	1-1/2
004.096.4	3/8	1-1/4	1/2	1-1/2
004.111.4	7/16	1	1/2	1-1/2
004.112.4	7/16	1-1/4	1/2	1-1/2
004.127.4	1/2	1	1/2	1-1/2
004.128.4	1/2	1-1/4	1/2	1-1/2
004.129.4	1/2	1-1/2	1/2	1-1/2
004.130.4	1/2	2	1/2	1-1/2
004.131.4	1/2	2-1/4	1/2	1-1/2
004.132.4	1/2	2-1/2	1/2	1-1/2
004.143.4	9/16	1	1/2	1-1/2
004.144.4	9/16	1-1/4	1/2	1-1/2
004.160.4	5/8	1	1/2	1-1/2
004.161.4	5/8	1-1/4	1/2	1-1/2
004.162.4	5/8	1-1/2	1/2	1-1/2
004.163.4	5/8	2	1/2	1-1/2
004.190.4	3/4	1	1/2	1-1/2
004.191.4	3/4	1-1/4	1/2	1-1/2
004.192.4	3/4	1-1/2	1/2	1-1/2
004.193.4	3/4	2	1/2	1-1/2
004.222.4	7/8	1	1/2	1-1/2
004.223.4	7/8	1-1/4	1/2	1-1/2
004.224.4	7/8	1-1/2	1/2	1-1/2
004.254.4	1	1	1/2	1-1/2
004.255.4	1	1-1/4	1/2	1-1/2



SUPER-DUTY STRAIGHT BITS

TWO FLUTES, BOTTOM CUTTER INSERT FOR PLUNGE CUTTING

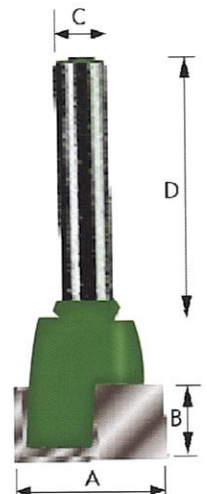
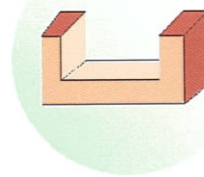


Item NO	A	B	C	D
005.095.2	3/8	1	1/4	1-1/4
005.096.2	3/8	1-1/4	1/4	1-1/4
005.127.2	1/2	1	1/4	1-1/4
005.128.2	1/2	1-1/4	1/4	1-1/4
005.129.2	1/2	1-1/2	1/4	1-1/4
005.160.2	5/8	1-1/4	1/4	1-1/4
005.161.2	5/8	1-1/2	1/4	1-1/4
005.095.4	3/8	1	1/2	1-1/2
005.096.4	3/8	1-1/4	1/2	1-1/2
005.127.4	1/2	1	1/2	1-1/2
005.128.4	1/2	1-1/4	1/2	1-1/2
005.129.4	1/2	1-1/2	1/2	1-1/2
005.160.4	5/8	1-1/4	1/2	1-1/2
005.161.4	5/8	1-1/2	1/2	1-1/2
005.190.4	3/4	1-1/4	1/2	1-1/2
005.191.4	3/4	1-1/2	1/2	1-1/2
005.222.4	7/8	1-1/4	1/2	1-1/2
005.223.4	7/8	1-1/2	1/2	1-1/2

STAIR TREAD ROUTING & BOTTOM CLEANING BITS

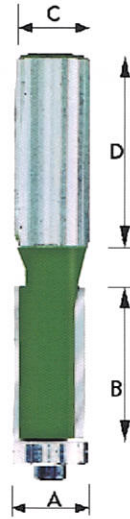
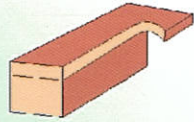
TWO FLUTES

Item NO	A	B	C	D
006.190.2	3/4	15/32	1/4	1-1/4
006.222.2	7/8	15/32	1/4	1-1/4
006.254.2	1	15/32	1/4	1-1/4
006.190.4	3/4	15/32	1/2	1-1/2
006.222.4	7/8	15/32	1/2	1-1/2
006.254.4	1	15/32	1/2	1-1/2
006.320.4	1-1/4	15/32	1/2	1-1/2
006.350.4	1-3/8	15/32	1/2	1-1/2
006.380.4	1-1/2	15/32	1/2	1-1/2
006.508.4	2	15/32	1/2	1-1/2



FLUSH TRIM BITS

BALL BEARING GUIDE

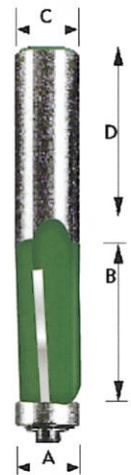
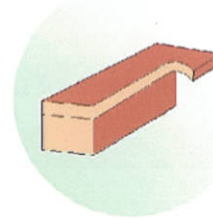


Item NO	A	B	C	D
008.064.2	1/4	3/4	1/4	1-1/4
008.080.2	5/16	1	1/4	1-1/4
008.095.2	3/8	1/2	1/4	1-1/4
008.096.2	3/8	1	1/4	1-1/4
008.127.2	1/2	1/2	1/4	1-1/4
008.128.2	1/2	1	1/4	1-1/4
008.129.2	1/2	1-1/4	1/4	1-1/4
008.095.4	3/8	1	1/2	1-1/4
008.127.4	1/2	1/2	1/2	1-1/4
008.128.4	1/2	1	1/2	1-1/4
008.129.4	1/2	1-3/16	1/2	1-1/4
008.130.4	1/2	1-1/4	1/2	1-1/4
008.131.4	1/2	1-1/2	1/2	1-1/4
008.132.4	1/2	2	1/2	1-1/4
008.160.4	5/8	1	1/2	1-1/2
008.161.4	5/8	1-1/4	1/2	1-1/2
008.190.4	3/4	1	1/2	1-1/2
008.191.4	3/4	1-1/4	1/2	1-1/2

SUPER-DUTY FLUSH TRIM BITS

BALL BEARING GUIDE

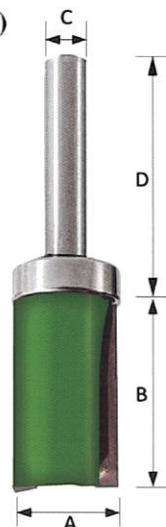
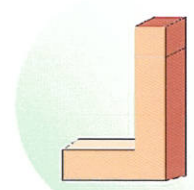
Item NO	A	B	C	D
009.095.2	3/8	1	1/4	1-1/4
009.127.2	1/2	1	1/4	1-1/4
009.127.4	1/2	1	1/2	1-1/2
009.128.4	1/2	1-1/4	1/2	1-1/2
009.129.4	1/2	1-1/2	1/2	1-1/2
009.130.4	1/2	2	1/2	1-1/2



FLUSH TRIMMING BITS

(With Shank Mounted Bearing)

Two flutes, For fast, smooth accurate trim cuts. Precision ground to close tolerances, also use for pattern or template cutting by router machine easily

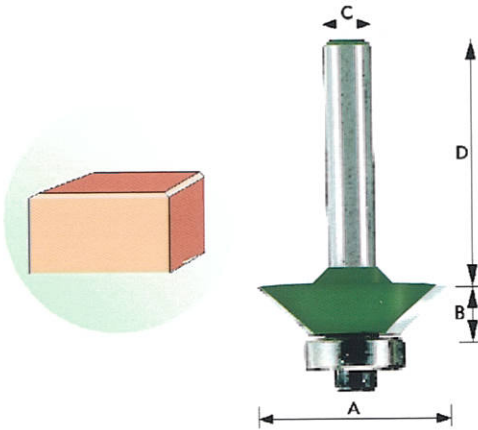


Item NO	A	B	C	D
010.127.2	1/2	3/4	1/4	1-1/2
010.128.2	1/2	1	1/4	1-1/2
010.160.2	5/8	3/4	1/4	1-1/2
010.161.2	5/8	1	1/4	1-1/2
010.190.2	3/4	3/4	1/4	1-1/2
010.191.2	3/4	1	1/4	1-1/2
010.190.4	3/4	1	1/2	1-3/4
010.191.4	3/4	1-1/4	1/2	1-3/4
010.286.4	1-1/8	1-3/16	1/2	1-3/4
010.287.4	1-1/8	1-1/2	1/2	1-3/4



BEVEL TRIM BITS

TWO FLUTES, BALL BEARING GUIDE



Item NO	A	B	C	D	Angle
013.007.2	5/8	3/8	1/4	1-1/4	7°
013.015.2	23/32	3/8	1/4	1-1/4	15°
013.022.2	55/64	3/8	1/4	1-1/4	22°
013.025.2	7/8	3/8	1/4	1-1/4	25°
013.030.2	61/64	3/8	1/4	1-1/4	30°
013.045.2	1-1/4	3/8	1/4	1-1/4	45°

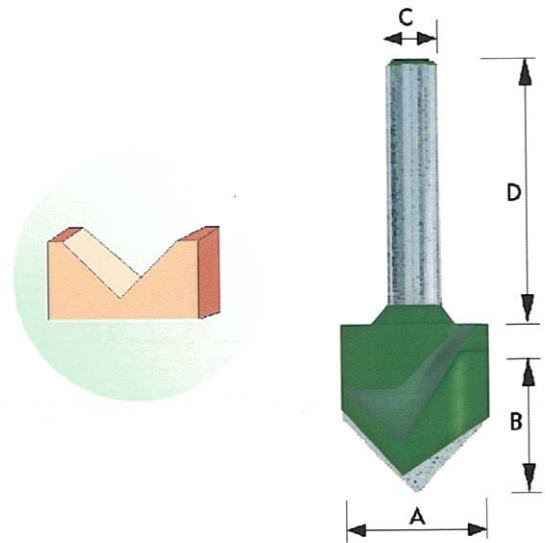
"V" GROOVE BITS

One Flutes, 90°

Item NO	A	B	C	D
015.064.2	1/4	3/8	1/4	1-1/4
015.080.2	5/16	7/16	1/4	1-1/4
015.095.2	3/8	1/2	1/4	1-1/4
015.127.2	1/2	1/2	1/4	1-1/4
015.160.2	5/8	1/2	1/4	1-1/4
015.190.2	3/4	5/8	1/4	1-1/4
015.095.4	3/8	1/2	1/2	1-1/2
015.127.4	1/2	1/2	1/2	1-1/2
015.160.4	5/8	1/2	1/2	1-1/2
015.190.4	3/4	5/8	1/2	1-1/2

TWO Flutes, 90°

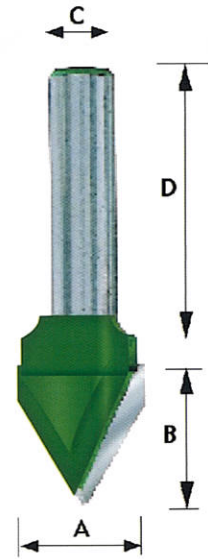
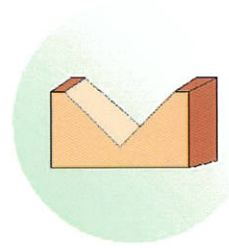
Item NO	A	B	C	D
015.064.2A	1/4	3/8	1/4	1-1/4
015.095.2A	3/8	1/2	1/4	1-1/4
015.127.2A	1/2	1/2	1/4	1-1/4
015.160.2A	5/8	1/2	1/4	1-1/4
015.190.2A	3/4	5/8	1/4	1-1/4
015.222.2A	7/8	5/8	1/4	1-1/4
015.127.4A	1/2	1/2	1/2	1-1/2
015.160.4A	5/8	1/2	1/2	1-1/2
015.190.4A	3/4	5/8	1/2	1-1/2
015.222.4A	7/8	5/8	1/2	1-1/2
015.254.4A	1	3/4	1/2	1-1/2
015.286.4A	1-1/8	7/8	1/2	1-1/2
015.320.4A	1-1/4	7/8	1/2	1-1/2
015.380.4A	1-1/2	1	1/2	1-1/2
015.445.4A	1-3/4	1-1/8	1/2	1-1/2
015.508.4A	2	1-1/4	1/2	1-1/2



<< "V" GROOVE BITS

TWO FLUTES, 60° ANGLE

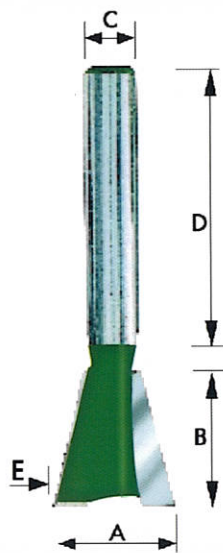
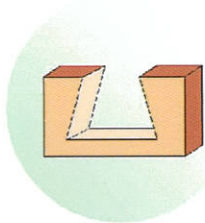
Item NO	A	B	C	D
016.095.2	3/8	1/2	1/4	1-1/4
016.127.2	1/2	5/8	1/4	1-1/4
016.160.2	5/8	5/8	1/4	1-1/4
016.190.2	3/4	13/16	1/4	1-1/4



<< DOVETAIL BITS

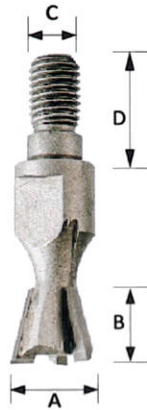
TWO FLUTES

Item NO	A	B	C	D	E
018.064.2	1/4	5/16	1/4	1-1/4	7°
018.080.2	5/16	3/8	1/4	1-1/4	9°
018.095.2	3/8	3/8	1/4	1-1/4	9°
018.127.2	1/2	1/2	1/4	1-1/4	14°
018.143.2	9/16	1/2	1/4	1-1/4	14°
018.160.2	5/8	5/8	1/4	1-1/4	14°
018.161.2	5/8	7/8	1/4	1-1/4	7°
018.190.2	3/4	3/4	1/4	1-1/4	14°
018.191.2	3/4	7/8	1/4	1-1/4	7°
018.095.4	3/8	3/8	1/2	1-1/2	9°
018.127.4	1/2	1/2	1/2	1-1/2	14°
018.143.4	9/16	1/2	1/2	1-1/2	14°
018.160.4	5/8	5/8	1/2	1-1/2	14°
018.161.4	5/8	3/4	1/2	1-1/2	14°
018.162.4	5/8	7/8	1/2	1-1/2	7°
018.190.4	3/4	3/4	1/2	1-1/2	14°
018.191.4	3/4	7/8	1/2	1-1/2	7°
018.222.4	7/8	7/8	1/2	1-1/2	14°
018.254.4	1	7/8	1/2	1-1/2	14°

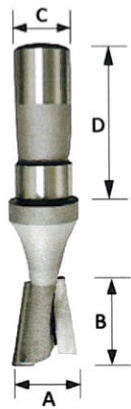




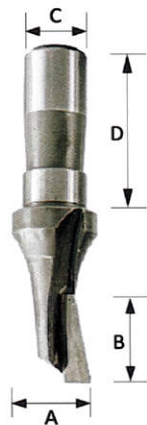
DOVETAIL BITS



Item NO	A	B	C	E
018A.140-1	14	13	3/8	14°
018A.140-2	14	13	M9	14°
018A.150-3	15	15	M9	14°



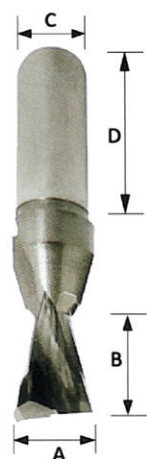
Item NO	A	B	C	E
018B.135-1	13.5	13	12	10°
018B.135-2	13.5	15	12	10°



Item NO	A	B	C	E
018C.150-1	15	15	12	10°
018C.150-2	15	18	12	10°



Solid Carbide DOVETAIL BITS

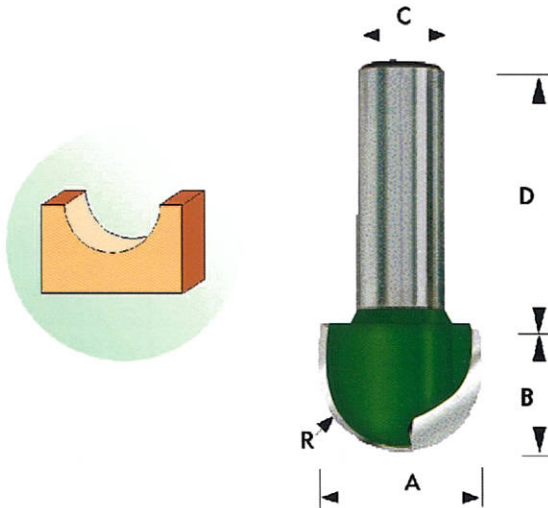


Item NO	A	B	C	E
018D.135-1	13.5	16.5	10	10°
018D.135-2	13.5	16.5	12	10°

CORE BOX BITS

TWO FLUTES

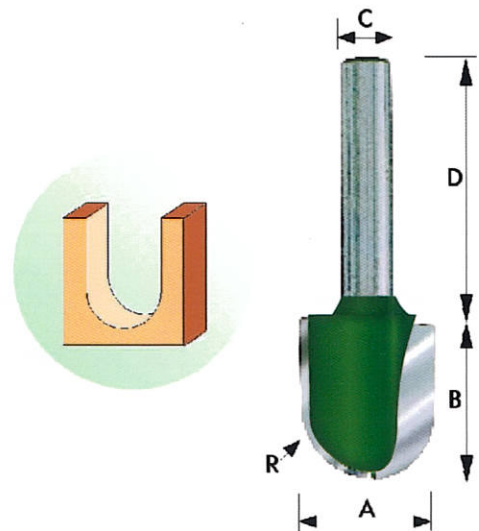
Item NO	A	B	C	D	R
019.064.2	1/4	1/4	1/4	1-1/4	1/8
019.080.2	5/16	5/16	1/4	1-1/4	5/32
019.095.2	3/8	3/8	1/4	1-1/4	3/16
019.127.2	1/2	3/8	1/4	1-1/4	1/4
019.160.2	5/8	7/16	1/4	1-1/4	5/16
019.190.2	3/4	1/2	1/4	1-1/4	3/8
019.222.2	7/8	3/4	1/4	1-1/4	7/16
019.254.2	1	5/8	1/4	1-1/4	1/2
019.160.4	5/8	7/16	1/2	1-1/2	5/16
019.190.4	3/4	1/2	1/2	1-1/2	3/8
019.222.4	7/8	5/8	1/2	1-1/2	7/16
019.254.4	1	11/16	1/2	1-1/2	1/2
019.320.4	1-1/4	3/4	1/2	1-1/2	5/8
019.380.4	1-1/2	7/8	1/2	1-1/2	3/4
019.445.4	1-3/4	1	1/2	1-1/2	7/8
019.508.4	2	1-1/4	1/2	1-1/2	1



ROUND NOSE BITS

TWO FLUTES

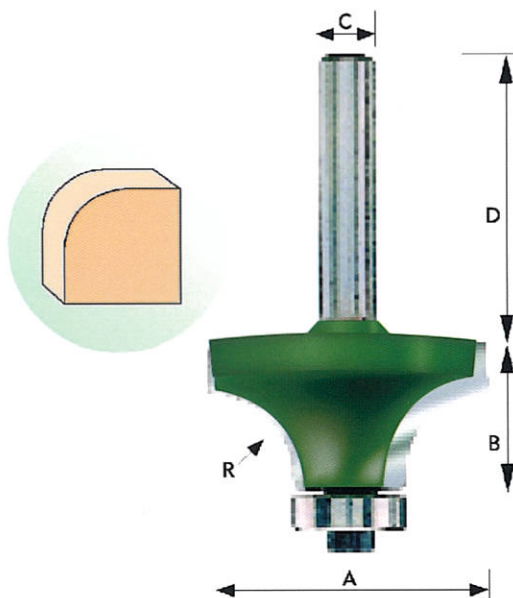
Item NO	A	B	C	D	R	Flutes
020.032.2	1/8	5/16	1/4	1-1/4	1/16	1
020.048.2	3/16	5/16	1/4	1-1/4	3/32	1
020.064.2	1/4	5/16	1/4	1-1/4	1/8	2
020.095.2	3/8	1/2	1/4	1-1/4	3/16	2
020.127.2	1/2	5/8	1/4	1-1/4	1/4	2
020.160.2	5/8	5/8	1/4	1-1/4	5/16	2
020.190.2	3/4	3/4	1/4	1-1/4	3/8	2
020.095.4	3/8	3/4	1/2	1-1/2	3/16	2
020.096.4	3/8	1	1/2	1-1/2	3/16	2
020.127.4	1/2	1	1/2	1-1/2	1/4	2
020.128.4	1/2	1-1/4	1/2	1-1/2	1/4	2
020.160.4	5/8	1	1/2	1-1/2	5/16	2
020.161.4	5/8	1-1/4	1/2	1-1/2	5/16	2
020.190.4	3/4	1-1/4	1/2	1-1/2	3/8	2
020.254.4	1	1-1/4	1/2	1-1/2	1/2	2





ROUND OVER BITS

TWO FLUTES, BALL BEARING GUIDE



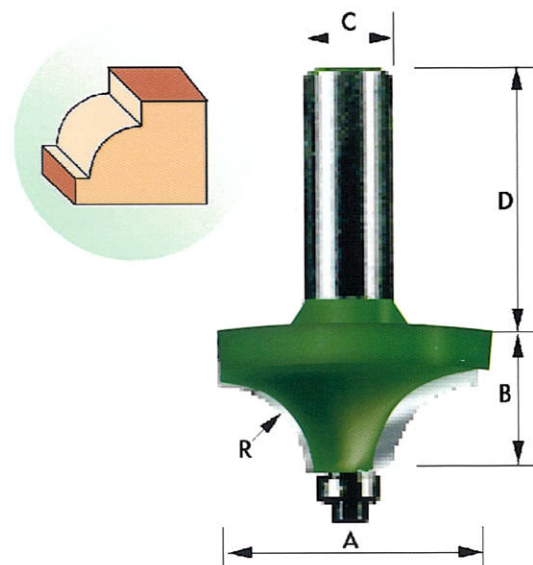
Item NO	A	B	C	D	R
035.016.2	5/8	3/8	1/4	1-1/4	1/16
035.032.2	3/4	3/8	1/4	1-1/4	1/8
035.040.2	13/16	3/8	1/4	1-1/4	5/32
035.048.2	7/8	3/8	1/4	1-1/4	3/16
035.064.2	1	1/2	1/4	1-1/4	1/4
035.080.2	1-1/8	1/2	1/4	1-1/4	5/16
035.095.2	1-1/4	5/8	1/4	1-1/4	3/8
035.127.2	1-1/2	3/4	1/4	1-1/4	1/2
035.016.4	5/8	3/8	1/2	1-1/2	1/16
035.032.4	3/4	3/8	1/2	1-1/2	1/8
035.040.4	13/16	3/8	1/2	1-1/2	5/32
035.048.4	7/8	3/8	1/2	1-1/2	3/16
035.064.4	1	7/16	1/2	1-1/2	1/4
035.080.4	1-1/8	1/2	1/2	1-1/2	5/16
035.095.4	1-1/4	5/8	1/2	1-1/2	3/8
035.127.4	1-1/2	3/4	1/2	1-1/2	1/2
035.160.4	1-3/4	7/8	1/2	1-1/2	5/8
035.190.4	2	1	1/2	1-1/2	3/4
035.222.4	2-1/4	1-1/8	1/2	1-1/2	7/8
035.254.4	2-1/2	1-1/4	1/2	1-1/2	1
035.286.4	2-3/4	1-3/8	1/2	1-1/2	1-1/8
035.320.4	3	1-1/2	1/2	1-1/2	1-1/4



BEADING BITS

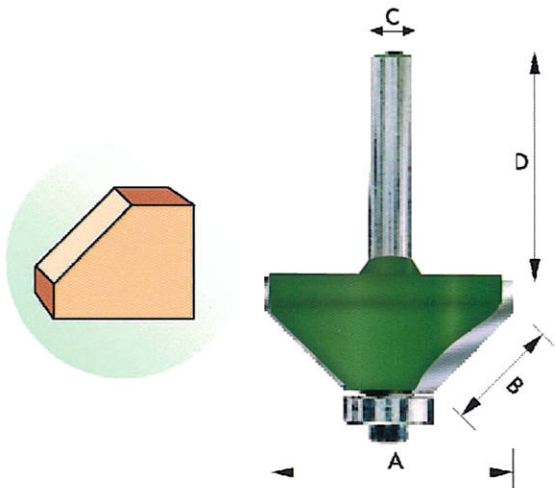
TWO FLUTES, BALL BEARING GUIDE

Item NO	A	B	C	D	R
036.016.2	5/8	3/8	1/4	1-1/4	1/16
036.032.2	3/4	3/8	1/4	1-1/4	1/8
036.040.2	13/16	3/8	1/4	1-1/4	5/32
036.048.2	7/8	3/8	1/4	1-1/4	3/16
036.064.2	1	1/2	1/4	1-1/4	1/4
036.080.2	1-1/8	1/2	1/4	1-1/4	5/16
036.095.2	1-1/4	5/8	1/4	1-1/4	3/8
036.127.2	1-1/2	3/4	1/4	1-1/4	1/2
036.016.4	5/8	3/8	1/2	1-1/2	1/16
036.032.4	3/4	3/8	1/2	1-1/2	1/8
036.040.4	13/16	3/8	1/2	1-1/2	5/32
036.048.4	7/8	3/8	1/2	1-1/2	3/16
036.064.4	1	7/16	1/2	1-1/2	1/4
036.080.4	1-1/8	1/2	1/2	1-1/2	5/16
036.095.4	1-1/4	5/8	1/2	1-1/2	3/8
036.127.4	1-1/2	3/4	1/2	1-1/2	1/2
036.160.4	1-3/4	7/8	1/2	1-1/2	5/8
036.190.4	2	1	1/2	1-1/2	3/4
036.222.4	2-1/4	1-1/8	1/2	1-1/2	7/8
036.254.4	2-1/2	1-1/4	1/2	1-3/4	1
036.286.4	2-3/4	1-3/8	1/2	1-3/4	1-1/8
036.320.4	3	1-1/2	1/2	1-3/4	1-1/4



45° CHAMFER BITS

TWO FLUTES, BALL BEARING GUIDE

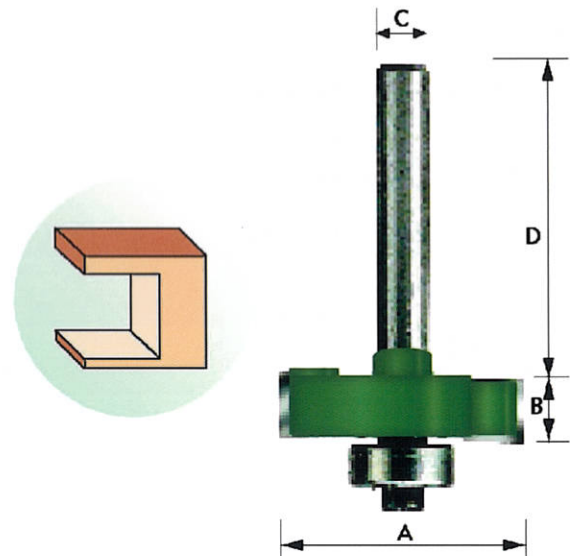


Item NO	A	B	C	D
043.254.2	1	3/8	1/4	1-1/4
043.300.2	1-3/16	1/2	1/4	1-1/4
043.365.2	1-7/16	5/8	1/4	1-1/4
043.254.4	1	3/8	1/2	1-1/2
043.300.4	1-3/16	1/2	1/2	1-1/2
043.365.4	1-7/16	5/8	1/2	1-1/2
043.413.4	1-5/8	3/4	1/2	1-1/2
043.445.4	1-3/4	7/8	1/2	1-1/2
043.476.4	1-7/8	1	1/2	1-1/2
043.572.4	2-1/4	1-1/4	1/2	1-1/2

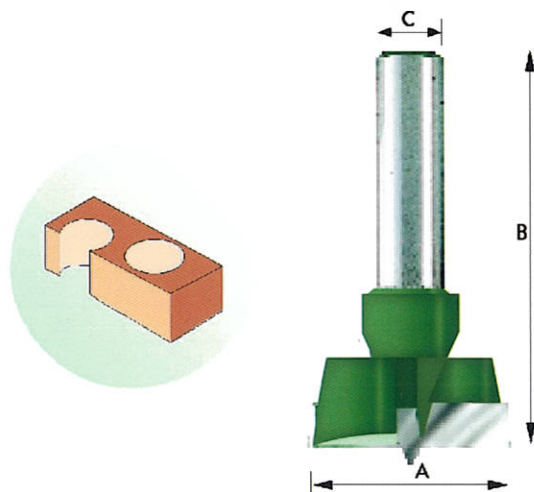
"T" SLOTTING BITS

TWO FLUTES, BALL BEARING GUIDE

Item NO	A	B	C	D
044.032.2	1-1/4	1/8	1/4	1-1/4
044.048.2	1-1/4	3/16	1/4	1-1/4
044.064.2	1-1/4	1/4	1/4	1-1/4
044.080.2	1-1/4	5/16	1/4	1-1/4
044.095.2	1-1/4	3/8	1/4	1-1/4
044.127.2	1-1/4	1/2	1/4	1-1/4
044.040.2	1-5/8	5/32	1/4	1-1/4
044.032.4	1-1/4	1/8	1/2	1-1/2
044.048.4	1-1/4	3/16	1/2	1-1/2
044.064.4	1-1/4	1/4	1/2	1-1/2
044.080.4	1-1/4	5/16	1/2	1-1/2
044.095.4	1-1/4	3/8	1/2	1-1/2
044.127.4	1-1/4	1/2	1/2	1-1/2
044.040.4	1-5/8	5/32	1/2	1-1/2



HINGE BORING BITS



Item NO	A	B	C
074.190.4	3/4	3	1/2
074.222.4	7/8	3	1/2
074.254.4	1	3	1/2
074.286.4	1-1/8	3	1/2
074.320.4	1-1/4	3	1/2
074.350.4	1-3/8	3	1/2
074.380.4	1-1/2	3	1/2
074.413.4	1-5/8	3	1/2
074.445.4	1-3/4	3	1/2
074.476.4	1-7/8	3	1/2
074.508.4	2	3	1/2
074.540.4	2-1/8	3	1/2



SOLID CARBIDE SLANTING BITS



TWO FLUTES

Item NO UP CUT	Item NO DOWN CUT	A	B	C	D
203-01U	203-01D	1/4"	3/4"	1/4"	2-1/2"
203-02U	203-02D	1/4"	7/8"	1/4"	2-1/2"
203-03U	203-03D	1/4"	1"	1/4"	2-1/2"
203-04U	203-04D	1/4"	1-1/8"	1/4"	3"
203-05U	203-05D	5/16"	1-1/8"	5/16"	3"
203-06U	203-06D	3/8"	1-1/8"	3/8"	3"
203-07U	203-07D	1/8"	1-1/4"	3/8"	3"
203-08U	203-08D	1/4"	3/4"	1/2"	2-1/2"
203-09U	203-09D	1/4"	1"	1/2"	3"
203-10U	203-10D	5/16"	1"	1/2"	3"
203-11U	203-11D	3/8"	1"	1/2"	3"
203-12U	203-12D	1/2"	1"	1/2"	3"
203-13U	203-13D	1/2"	1-1/4"	1/2"	3"
203-14U	203-14D	1/2"	1-1/2"	1/2"	3-1/2"
203-15U	203-15D	1/2"	1-5/8"	1/2"	3-1/2"
203-16U	203-16D	1/2"	2"	1/2"	4"
203-17U	203-17D	1/2"	2-1/8"	1/2"	4"

Item NO UP CUT	Item NO DOWN CUT	A	B	C	D
203-51U	203-51D	6	12	6	50
203-52U	203-52D	6	15	6	50
203-53U	203-53D	6	20	6	50
203-54U	203-54D	8	30	8	70
203-55U	203-55D	10	30	10	70
203-56U	203-56D	12	30	12	70
203-57U	203-57D	12	40	12	80
203-58U	203-58D	12	50	12	100
203-59U	203-59D	14	30	14	70
203-60U	203-60D	14	40	14	80
203-61U	203-61D	14	50	14	100
203-62U	203-62D	16	30	16	70
203-63U	203-63D	16	40	16	80
203-64U	203-64D	16	50	16	100

(mm)

THREE FLUTES

Item NO UP CUT	Item NO DOWN CUT	A	B	C	D
303-01U	303-01D	1/2"	1-1/4"	1/2"	3"
303-02U	303-02D	1/2"	1-5/8"	1/2"	3-1/2"
303-03U	303-03D	1/2"	2"	1/2"	4"
303-04U	303-04D	5/8"	1-5/8"	5/8"	3-1/2"
303-05U	303-05D	5/8"	2"	5/8"	4"
303-06U	303-06D	3/4"	1-5/8"	3/4"	3-1/2"
303-07U	303-07D	3/4"	2"	3/4"	4"

Item NO UP CUT	Item NO DOWN CUT	A	B	C	D
303-51U	303-51D	12	30	12	75
303-52U	303-52D	12	40	12	75
303-53U	303-53D	12	50	12	100
303-54U	303-54D	14	30	14	75
303-55U	303-55D	14	40	14	75
303-56U	303-56D	14	50	14	100
303-57U	303-57D	16	30	16	75
303-58U	303-58D	16	40	16	75
303-59U	303-59D	16	50	16	100

(mm)

« SOLID CARBIDE SPIRAL



204 & 304 U&D

TWO FLUTES

Item NO UP CUT	Item NO DOWN CUT	A	B	C	D
204-01U	204-01D	1/4"	3/4"	1/4"	2-1/2"
204-02U	204-02D	1/4"	7/8"	1/4"	2-1/2"
204-03U	204-03D	1/4"	1"	1/4"	2-1/2"
204-04U	204-04D	1/4"	1-1/8"	1/4"	3"
204-05U	204-05D	5/16"	1-1/8"	5/16"	3"
204-06U	204-06D	3/8"	1-1/4"	3/8"	3"
204-07U	204-07D	3/8"	1-1/8"	3/8"	3"
204-08U	204-08D	5/16"	1"	1/2"	3"
204-09U	204-09D	3/8"	1-1/4"	1/2"	3"
204-10U	204-10D	1/2"	1-1/8"	1/2"	3"
204-11U	204-11D	1/2"	1-1/4"	1/2"	3"
204-12U	204-12D	1/2"	1-1/2"	1/2"	3-1/2"
204-13U	204-13D	1/2"	1-5/8"	1/2"	3-1/2"
204-14U	204-14D	1/2"	2"	1/2"	4"
204-15U	204-15D	1/2"	2-1/8"	1/2"	4"

Item NO UP CUT	Item NO DOWN CUT	A	B	C	D
204-51U	204-51D	6	12	6	55
204-52U	204-52D	6	15	6	55
204-53U	204-53D	6	20	6	55
204-54U	204-54D	8	30	8	70
204-55U	204-55D	10	30	10	70
204-56U	204-56D	11	30	12	70
204-57U	204-57D	12	30	12	70
204-58U	204-58D	12	40	12	80
204-59U	204-59D	12	50	12	100
204-60U	204-60D	14	30	14	70
204-61U	204-61D	14	40	14	80
204-62U	204-62D	14	50	14	100
204-63U	204-63D	16	30	16	70
204-64U	204-64D	16	40	16	80
204-65U	204-65D	16	50	16	100

(mm)

THREE FLUTES

Item NO UP CUT	Item NO DOWN CUT	A	B	C	D
304-01U	304-01D	1/2"	1-1/4"	1/2"	3"
304-02U	304-02D	1/2"	1-5/8"	1/2"	3-1/2"
304-03U	304-03D	1/2"	2"	1/2"	4"
304-04U	304-04D	5/8"	1-5/8"	5/8"	3-1/2"
304-05U	304-05D	5/8"	2"	5/8"	4"
304-06U	304-06D	3/4"	1-5/8"	3/4"	3-1/2"
304-07U	304-07D	3/4"	2"	3/4"	4"

Item NO UP CUT	Item NO DOWN CUT	A	B	C	D
304-51U	304-51D	12	30	12	70
304-52U	304-52D	12	40	12	80
304-53U	304-53D	12	50	12	100
304-54U	304-54D	14	30	14	70
304-55U	304-55D	14	40	14	80
304-56U	304-56D	14	50	14	100
304-57U	304-57D	16	30	16	70
304-58U	304-58D	16	40	16	70
304-59U	304-59D	16	50	16	100
304-60U	304-60D	20	40	20	100
304-61U	304-61D	20	50	20	100
304-62U	304-62D	20	80	20	150

(mm)



SOLID CARBIDE SPIRAL PLUNGE



205 & 305 U&D

TWO FLUTES

Item NO	A	B	C	D
205-01	1/4"	3/4"	1/4"	2-1/2"
205-02	1/4"	7/8"	1/4"	2-1/2"
205-03	1/4"	1"	1/4"	2-1/2"
205-04	1/4"	1-1/8"	1/4"	3"
205-05	5/16"	1-1/8"	5/16"	3"
205-06	3/8"	1-1/8"	3/8"	3"
205-07	7/8"	1-1/4"	3/8"	3"
205-08	5/16"	1"	1/2"	3"
205-09	3/8"	1-1/4"	1/2"	3"
205-10	1/2"	1-1/8"	1/2"	3"
205-11	1/2"	1-1/4"	1/2"	3"
205-12	1/2"	1-1/2"	1/2"	3-1/2"
205-13	1/2"	2"	1/2"	4"
205-14	1/2"	2-1/8"	1/2"	4"

Item NO	A	B	C	D
205-51	6	12	6	50
205-52	6	15	6	50
205-53	6	20	6	50
205-54	8	30	8	70
205-55	10	30	10	70
205-56	12	30	12	70
205-57	12	40	12	80
205-58	12	50	12	100
205-59	14	30	14	70
205-60	14	40	14	80
205-61	14	50	14	100
205-62	16	30	16	70
205-63	16	40	16	80
205-64	16	50	16	100

(mm)

THREE FLUTES

Item NO	A	B	C	D
305-01	1/2"	1-1/4"	1/2"	3"
305-02	1/2"	1-5/8"	1/2"	3-1/2"
305-03	1/2"	2"	1/2"	4"
305-04	5/8"	1-5/8"	5/8"	3-1/2"
305-05	5/8"	2"	5/8"	4"
305-06	3/4"	1-5/8"	3/4"	3-1/2"
305-07	3/4"	2"	3/4"	4"

Item NO	A	B	C	D
305-51	12	30	12	70
305-52	12	40	12	80
305-53	12	50	12	100
305-54	14	30	14	70
305-55	14	40	14	80
305-56	14	50	14	100
305-57	16	30	16	70
305-58	16	40	16	80
305-59	16	50	16	100

(mm)

SOLID CARBIDEL ROUGHING SPIRAL BITS



208 & 308 U&D

TWO FLUTES

Item NO		A	B	C	D
UP CUT	DOWN CUT				
208-01U	208-01D	1/4"	3/4"	1/4"	2-1/2"
208-02U	208-02D	1/4"	7/8"	1/4"	2-1/2"
208-03U	208-03D	1/4"	1"	1/4"	2-1/2"
208-04U	208-04D	1/4"	1-1/8"	1/4"	3"
208-05U	208-05D	5/16"	1-1/8"	5/16"	3"
208-06U	208-06D	3/8"	1-1/4"	3/8"	3"
208-07U	208-07D	3/8"	1-1/8"	3/8"	3"
208-08U	208-08D	5/16"	1"	1/2"	3"
208-09U	208-09D	3/8"	1-1/4"	1/2"	3"
208-10U	208-10D	1/2"	1-1/8"	1/2"	3"
208-11U	208-11D	1/2"	1-1/4"	1/2"	3"
208-12U	208-12D	1/2"	1-1/2"	1/2"	3-1/2"
208-13U	208-13D	1/2"	1-5/8"	1/2"	3-1/2"
208-14U	208-14D	1/2"	2"	1/2"	4"
208-15U	208-15D	1/2"	2-1/8"	1/2"	4"

Item NO		A	B	C	D
UP CUT	DOWN CUT				
208-51-U	208-51D	6	12	6	50
208-52-U	208-52D	6	15	6	50
208-53-U	208-53D	6	20	6	50
208-54-U	208-54D	8	30	8	70
208-55-U	208-55D	10	30	10	70
208-56-U	208-56D	11	30	12	70
208-57-U	208-57D	12	30	12	70
208-58-U	208-58D	12	40	12	80
208-59-U	208-59D	12	50	12	100
208-60-U	208-60D	14	30	14	70
208-61-U	208-61D	14	40	14	80
208-62-U	208-62D	14	50	14	100
208-63-U	208-63D	16	30	16	70
208-64-U	208-64D	16	40	16	80
208-65-U	208-65D	16	50	16	100

(mm)

THREE FLUTES

Item NO		A	B	C	D
UP CUT	DOWN CUT				
308-01U	308-01D	1/2"	1-1/4"	1/2"	3"
308-02U	308-02D	1/2"	1-5/8"	1/2"	3-1/2"
308-03U	308-03D	1/2"	2"	1/2"	4"
308-04U	308-04D	5/8"	1-5/8"	5/8"	3-1/2"
308-05U	308-05D	5/8"	2"	5/8"	4"
308-06U	308-06D	3/4"	1-5/8"	3/4"	3-1/2"
308-07U	308-07D	3/4"	2"	3/4"	4"

Item NO		A	B	C	D
UP CUT	DOWN CUT				
308-51U	308-51D	12	30	12	70
308-52U	308-52D	12	40	12	80
308-53U	308-53D	12	50	12	100
308-54U	308-54D	14	30	14	70
308-55U	308-55D	14	40	14	80
308-56U	308-56D	14	50	14	100
308-57U	308-57D	16	40	16	80
308-58U	308-58D	16	50	16	100
308-59U	308-59D	20	40	20	100
308-60U	308-60D	20	50	20	100
308-61U	308-61D	20	80	20	150

(mm)



COMPRESSION UP/DOWN SPIRAL BITS



211-1/311-1 211-10/311-10

TWO FLUTES

2 FLUTE	3 FLUTE	A	B	C	D
211-1	311-1	12	30	12	80
211-2	311-2	12	40	12	100
211-3	311-3	12	50	12	100
211-4	311-4	14	30	14	80
211-5	311-5	14	40	14	100
211-6	311-6	14	50	14	100
211-7	311-7	16	30	16	80
211-8	311-8	16	40	16	100
211-9	311-9	16	50	16	100

THREE FLUTES

2 FLUTE	3 FLUTE	A	B	C	D
211-10	311-10	1/2"	1-1/4"	1/2"	3"
211-20	311-20	1/2"	1-5/8"	1/2"	3-1/2"
211-30	311-30	1/2"	2"	1/2"	4"
211-40	311-40	5/8"	1-5/8"	5/8"	3-1/2"
211-50	311-50	5/8"	2"	5/8"	4"
211-60	311-60	3/4"	1-5/8"	3/4"	3-1/2"
211-70	311-70	3/4"	2"	3/4"	4"

STRAIGHT BITS WITH SOLID CARBIDE INSERT



Item NO	A	B	C	D
151-01	3/32"	3/8"	1/4"	1-1/4"
151-02	3/32"	1/2"	1/4"	1-1/4"
151-03	1/8"	3/8"	1/4"	1-1/4"
151-04	1/8"	1/2"	1/4"	1-1/4"
151-05	5/32"	3/8"	1/4"	1-1/4"
151-06	5/32"	1/2"	1/4"	1-1/4"
151-07	3/16"	1/2"	1/4"	1-1/4"
151-08	3/16"	5/8"	1/4"	1-1/4"
151-09	1/4"	3/4"	1/4"	1-1/4"
151-10	1/4"	1"	1/4"	1-1/4"
151-11	3/32"	3/8"	1/2"	1-1/2"
151-12	3/32"	1/2"	1/2"	1-1/2"
151-13	1/8"	3/8"	1/2"	1-1/2"
151-14	1/8"	1/2"	1/2"	1-1/2"
151-15	5/32"	3/8"	1/2"	1-1/2"
151-16	5/32"	1/2"	1/2"	1-1/2"
151-17	3/16"	1/2"	1/2"	1-1/2"
151-18	3/16"	5/8"	1/2"	1-1/2"
151-19	1/4"	3/4"	1/2"	1-1/2"
151-20	1/4"	1"	1/2"	1-1/2"

Item NO	A	B	C	D
151-51	3	12	6	38
151-52	3	15	6	38
151-53	4	15	6	38
151-54	4	20	6	38
151-55	5	15	8	38
151-56	5	25	8	38
151-57	6	15	8	38
151-58	6	25	8	38
151-59	7	20	12	38
151-60	7	25	12	38
151-61	8	20	12	38
151-62	8	25	12	38



SPIRAL BITS WITH SOLID CARBIDE INSERT



152 T.C.T U&D

TWO FLUTES

Item NO		A	B	C	D
UP CUT	DOWN CUT				
152-01U	152-01D	1/8"	3/8"	1/4"	1-1/4"
152-02U	152-02D	3/16"	1/2"	1/4"	1-1/4"
152-03U	152-03D	1/4"	3/4"	1/2"	1-1/2"
152-04U	152-04D	5/16"	1-1/8"	1/2"	1-1/2"
152-05U	152-05D	3/8"	1-1/4"	1/2"	1-1/2"

Item NO		A	B	C	D
UP CUT	DOWN CUT				
152-51-U	152-51D	3	10	6	32
152-52-U	152-52D	3	15	6	32
152-53-U	152-53D	4	15	6	32
152-54-U	152-54D	4	20	6	32
152-55-U	152-55D	5	25	8	32
152-56-U	152-56D	6	25	8	32
152-57-U	152-57D	8	20	12	38
152-58-U	152-58D	8	25	12	38
152-59-U	152-59D	10	25	12	38

(mm)



TCT-DOWEL DRILLS



(B made with Solid carbide)

ITEM NO	D	B	L	S
D57020	2	30	57	Ø10
D57030	3	30	57	Ø10
D57040	4	30	57	Ø10
ITEM NO	D	B	L	S
D70020	2	43	70	Ø10
D70030	3	43	70	Ø10
D70040	4	43	70	Ø10

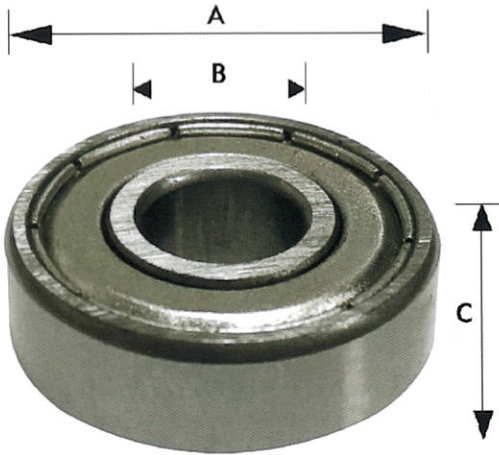


ITEM NO	D	B	L	S
D57050	5	30	57	Ø10
D57060	6	30	57	Ø10
D57070	7	30	57	Ø10
D57080	8	30	57	Ø10
D57090	9	30	57	Ø10
D57010	10	30	57	Ø10
D57011	11	30	57	Ø10
D57012	12	30	57	Ø10
D57013	13	30	57	Ø10
D57014	14	30	57	Ø10
D57015	15	30	57	Ø10

ITEM NO	D	B	L	S
D70050	5	43	70	Ø10
D70060	6	43	70	Ø10
D70070	7	43	70	Ø10
D70080	8	43	70	Ø10
D70090	9	43	70	Ø10
D70010	10	43	70	Ø10
D70011	11	43	70	Ø10
D70012	12	43	70	Ø10
D70013	13	43	70	Ø10
D70014	14	43	70	Ø10
D70015	15	43	70	Ø10



BALL BEARING



Item NO	A	B	C
152.102	1/4	1/8	3/32
152.103	3/8	1/8	5/32
152.153	3/8	3/16	1/8
152.203	3/8	1/4	1/8
152.154	1/2	3/16	3/16
152.204	1/2	1/4	3/16
152.205	5/8	1/4	3/16
152.206	3/4	1/4	9/32
152.406	3/4	1/2	3/16
152.409	1-1/8	1/2	5/16

(inch)

Item NO	A	B	C
152.306M	6	3	2.5
152.410M	10	4	4
152.412M	12	4	4
152.513M	13	5	4
152.516M	16	5	5
152.619M	19	6	6
152.822M	22	8	7
152.824M	24	8	8

(mm)



ROUTER COLLET REDUCERS WITH HEAT-TREATED

Item NO	A	B
153.001	8mm	6mm
153.002	12mm	6mm
153.003	1/2	6mm
153.004	8mm	1/4
153.005	12mm	1/4
153.006	1/2	1/4
153.007	12mm	8mm
153.008	1/2	12mm



PACKING TYPE

PACKING A



PACKING B



PACKING C





Taichung, Taiwan



SHENG CHYUAN

Sheng Chyuan Machinery Industrial Co., LTD <http://www.scrouter.com.tw>

NO.295, SHUIYUAN Rd., Fengyuan Dist.,

Taichung City 420, Taiwan (R.O.C)

TEL: 04-25244281 04-25235954

FAX: 04-25243616

E-mail: Scrouter@ms35.hinet.net

Website: <http://www.scrouter.com.tw>