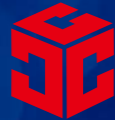




千昌精密沖床 CHIAN CHANG PRESSES

專業 Professional 精密 Precision

SENSON



since 1976

千昌機械股份有限公司 CHIAN CHANG MACHINE CO.,LTD.

營業處：新北市蘆洲區三民路196號

Office: No.196, Sanmin Rd., Luzhou Dist., New Taipei City 247, Taiwan
Tel.: 886-2-22818331, 22810904, 22828461 Fax : 886-2-22829202
E-mail: chenchan@ms12.hinet.net
Web Site: <http://www.senson.com.tw>

工廠：台南市後壁區頂長里長短樹50號之5

Factory: No.50-5, Changduanshu, Houbi Dist., Tainan City 731, Taiwan
Tel.: 886-6-6623329, 6623339 Fax: 886-6-6622772
E-mail: csp.hsp@msa.hinet.net

CHIAN CHANG MACHINE (THAILAND) CO.,LTD.

千昌泰國廠：泰國春武里府叻縣農黎村第5社區5/1號 20000

Factory: No.5/1 Moo 5, Nongree, Muang, Chonburi, 20000 Thailand
TEL : 038079618-21 FAX : 038079622



千昌機械股份有限公司
CHIAN CHANG MACHINE CO., LTD.



SENSON



千昌精密沖床 CHIAN CHANG PRESSES

專業 Professional 精密 Precision

【目錄INDEX】

千昌公司簡介 Chian Chang Company Brief	P3
C型直軸式精密沖床 C-frame Single Crank Precision Power Press	P5
C型直軸式精密沖床配件一覽表 Accessories of C-frame Single Crank Precision Power Press	P7
C型直軸式精密沖床規格表 Specification of C-frame Single Crank Precision Power Press	P8
C型雙軸式精密沖床 C-frame Double Crank Precision Power Press	P9
C型雙軸式精密沖床配件一覽表 Accessories of C-frame Double Crank Precision Power Press	P11
C型雙軸式精密沖床規格表 Specification of C-frame Double Crank Precision Power Press	P12
門型直軸精密沖床 H-frame Single Crank Precision Power Press	P13
門型直軸精密沖床配件一覽表 Accessories of H-frame Single Crank Precision Power Press	P15
門型直軸精密沖床規格表 Specification of H-frame Single Crank Precision Power Press	P16
門型雙軸連桿式精密沖床 H-frame Double Crank Link Motion Precision Power Press	P17
門型雙軸連桿式精密沖床配件一覽表 Accessories of H-frame Double Crank Link Motion Precision Power Press	P19
門型雙軸連桿式精密沖床規格表 Specification of H-frame Double Crank Link Motion Precision Power Press	P20
門型雙軸式精密沖床 H-frame Double Crank Precision Power Press	P21
門型雙軸式精密沖床配件一覽表 Accessories of H-frame Double Crank Precision Power Press	P23
門型雙軸式標準系列尺寸圖 Dimension Diagram of H-frame Double Crank Precision Power Press	P24
門型雙軸移動式平板系列尺寸圖 Dimension Diagram of H-frame Double Crank Moving Bolster Series	P25
門型雙軸式標準系列規格表 Specification of H-frame Double Crank Standard Series	P26
門型雙軸移動式平板系列規格表 Specification of H-frame Double Crank Moving Bolster Series	P27
客製化沖床 Customized Presses	P28



千昌台灣廠 Taiwan Factory



千昌泰國廠 Thailand Branch

【公司沿革】

- 1976 創立千昌機械股份有限公司，初期以製造一般沖床、精密沖床為主。
- 1992 因應市場及客戶所需，陸續研發製造各種新型及大型機種。由於銷售量與產品項目與日驟增，因此遷廠至台南現址，透過擴充廠房面積及更新設備和增加資金，正式邁入量產直軸式及高精密度的沖床。
- 1996 申請SENSON 商標專用權，並獲准通過中華民國商標註冊。建立自有品牌、行銷全球、服務顧客。
- 2008 取得ISO 9001品質管理認證通過(CE認證取得中)。
- 2009 為拓展東南亞國家及世界各國的沖床市場，成立千昌機械泰國廠，並作為服務東南亞地區客戶的據點。
- 2013 因應大型機台的廣大需求和製造，再次整建擴廠。
- 2014 裝修前廠，營造漂亮舒適的環境。

【廠房面積】 台灣廠2000平方公尺，泰國廠4300平方公尺

【資本總額】 新台幣陸千萬元整

【員工總數】 90人

【產品種類】

C型直軸式沖床，C型雙軸式沖床，門型精密沖床，龍門型雙曲軸精密沖床，接受客戶訂製各種特殊規格沖床。

【海外據點】

大陸東莞，上海和新加坡、印尼、泰國各地，設有服務據點。
2009 年成立千昌機械泰國廠，作為服務東南亞地區客戶的據點。

【經營理念】

秉持良好商譽，遵守承諾，注重信用的公司核心特質。
建立安全，和諧，成長之工作環境。
提供最專業的產品，提高客戶產量及穩定性。
最合理的價格，最好的服務。
客戶第一，品質至上。

SENSON



【Chronology】

- 1976 Chian Chang Machine Co., Ltd. was established; focused on the production of general-typed and precision presses.
- 1992 Started venturing into the research and development of various newest and large sized models in order to meet both the market and customers demands. Due to increasing sales and production, the company moved to its current plant in Tainan County; and formally entered the mass production of single craft precision power presses & high precision presses following the plant expansion, updated facilities, and capitals.
- 1996 Approved to use its exclusive logo of "SENSON" and obtained the patent right from the trade mark authorities in Taiwan.
- 2008 Obtained the ISO 9001 international quality certificate. (CE certification is under applied.)
- 2009 Set up the Thailand branch office, an attempt to develop its press sales in the Southeast Asian and international markets. The branch office also serves as an outlet for its clients in the region.
- 2013 Expanded the scale of our factory for increased demand.
- 2014 Office decorated to improve a bright and comfortable atmosphere.

【Factory Area】 Taiwan Factory-2,000 square meter, Thailand Factory-4,300 square meter

【Capital】 NT\$60 million

【Employees】 90 persons

【Product Categories】

- C-frame Single Crank Precision Power Presses
- C-frame Double Crank Precision Power Presses
- H-frame Single Crank Precision Power Presses
- H-frame Double Crank Precision Power Presses
- Accept customized orders for various special presses.

【Overseas Service Office】

Dongguan (Mainland China), Shanghai(Mainland China), Singapore, Indonesia, Thailand Branch.

【Management Philosophy】

- Abides by good reputation and promises; credit—core value of the company.
 - Building up safe, harmonious, and growth working environment; providing the most specialized products, to increase customers' production volume and stability. the reasonable pricing, and best service quality.
- Customers First, Supreme Quality

SENSON



C型直軸式精密沖床 C-FRAME SINGLE CRANK PRECISION POWER PRESS 25~260 tons

CSP-25 / 35 / 45 / 60 / 80 / 110 / 160 / 200 / 260

滑塊及模具平衡裝置
Counter balancer (Equilibrating cylinders)

自動送料軸(在左側, 送料方向左 → 右)
Power take-off feed shaft
(feed direction:left → right)

沖桿
Connecting rod

球螺桿
Ball Rod

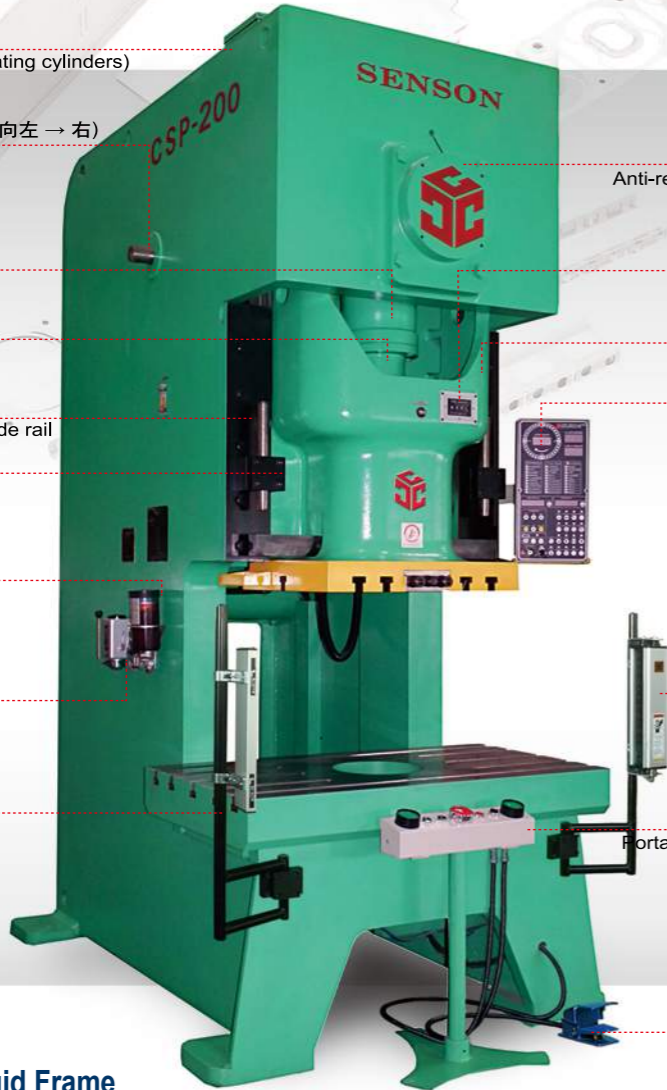
六面寬長型導軌
Six-face wide-and-long guide rail

頂料裝置
Knock out device

手動黃油加油器
Manual grease pump

機油加油器
Oil pump

平板(台盤)
Bolster



二度落防止裝置
Anti-repeat device (Overrun detector)

數字式模高指示器
Die height indicator

沖頭滑塊
Slide

曲軸角度LED顯示
Crank angle LED display

光電護手安全裝置
Safety light curtain

移動式按鈕操作箱
Portable push button operation stand

腳踏開關
Foot switch

高剛性機架 High Rigid Frame

機架採剛性極佳之鋼板焊接後經退火熱處理, 承受力及延展性極佳, 堅實耐用。
The machine frame is welded with excellent rigid steels and treated by annealing, it is very tough, ductile, strong, and durable.



SCM4合金鋼球螺桿
SCM4 Alloy Steel Ball
Screw



譯碼器
Encoder



六面寬長型導軌
Six-face wide-and-long
Guide Rail



模高指示器
Die Height Indicator



油壓式超負荷保護裝置
Hydraulic Overload Protector



電動式滑塊調整馬達
Slide Adjust Motor

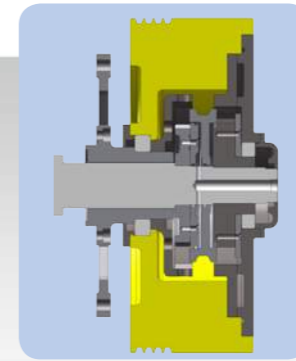
濕式煞車離合器 Wet Type Clutch Brake

使用浸油濕式來令片, 煞車敏捷, 耐磨損, 壽命長。適用於無塵室, 無污染低噪音, 符合環保。
(另有乾式煞車離合器可供選擇)

Use oiled wet type brake pad: Quick brake, wear resistance and long lifetime. Suitable for clean room, zero pollution, low noise and environment protection. (Compound clutch brake could be the other choice for customers.)

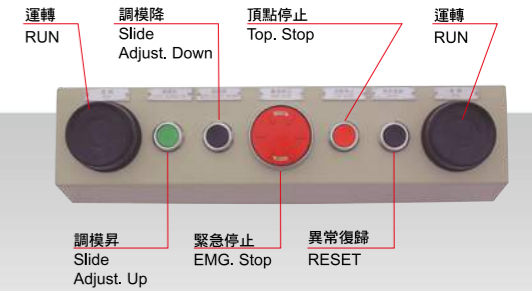


乾式煞車離合器
Compound Clutch
Brake



濕式煞車離合器
Wet Type Clutch Brake

單/雙手按鈕操作台 Single/Two-hand Push Button Operation Stand



防油污觸控式控制面板 Touch Screen Control Panel

曲軸角度LED顯示
Crank Angle LED Display

系統狀態顯示
System Status Display

總量計數設定 / 顯示,
功能參數設定 / 顯示
Total Counter Setting/Display,
Function Parameter Setting/Display

程式設定
Program Setting

馬達狀態
Main Motor Status

電源開關
Power On / Off

調速旋鈕
Speed Adjuster



沖床轉速顯示
S.P.M. LED Display

異常碼指示
Error Monitor (Error Code Display)

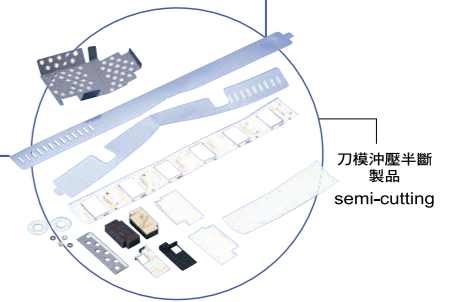
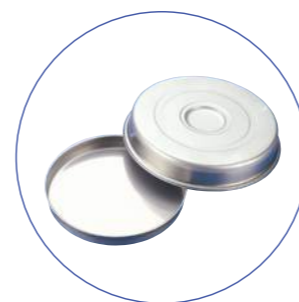
批量計數器
Product Lot Counter

操作功能設定鍵
Function Setting Key

操作模式選擇鍵
Operation Modes
("Off,"inching"/"single"/
continuous"/"safe single")

適用範圍廣泛 Extensive Scope of Application

滑塊底面積及平板面積寬廣, 適合各種汽機車零件、機械零件、電器五金、及PC零件(如外殼、CD-ROM、散熱片、軟/硬板沖孔...等)之抽拉、沖壓作業。
Broad slide bottom and bolster are suitable for the drawing and punching operation with various automotive, motorcycle and machine components, appliance and hardware parts, and computer parts like Cases, CD-ROM, Fan, PC board.



刀模沖壓半斷
製品
semi-cutting

C型直軸式精密沖床 C-FRAME SINGLE CRANK PRECISION POWER PRESS

CSP-25 / 35 / 45 / 60 / 80 / 110 / 160 / 200 / 260
25~260 tons

配件一覽表 ACCESSORIES

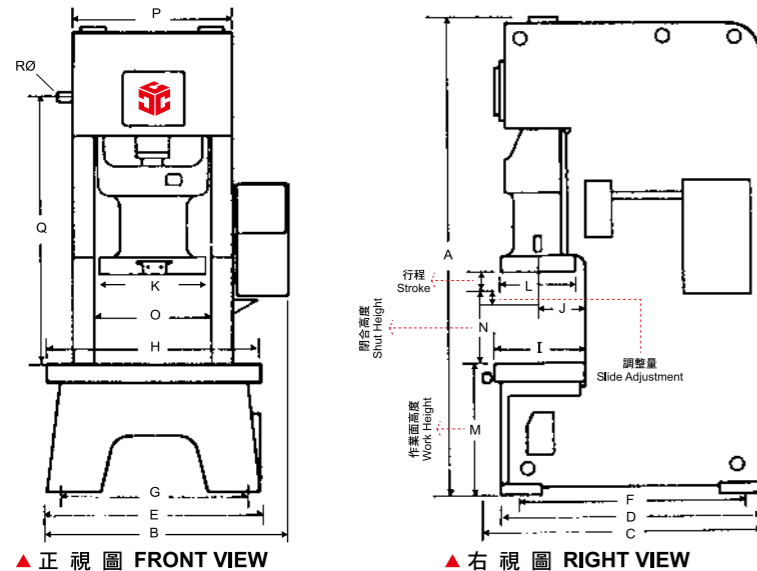
標準型配件 Standard Accessories

- ▶ 選擇開關(切、寸動、單動、安全一行程、連續)
Operation modes ("off", "inching"/"single"/"safe single"/"continuous")
- ▶ 濕式剎車離合器
Wet type clutch brake
- ▶ 滑塊及模具平衡裝置
Counter balancer (Equilibrating cylinders)
- ▶ 電動式滑塊調整裝置
Motorized slide adjuster
- ▶ 數字式模高指示器 -
CSP-25 ~ 60噸 : 以0.01mm 為單位
CSP-80 ~ 260噸 : 以0.1mm 為單位
Die height indicator -
In 0.01mm increments for CSP-25 ~ 60,
In 0.1mm increments for CSP-80 ~ 260.
- ▶ 譯碼器
Encoder
- ▶ 360° 曲軸角度LED顯示器
Crank angle LED display
- ▶ 沖床轉數顯示器
S.P.M. LED display
- ▶ 批量計數器(可預調, 6位數)
Product lot counter (Preset, 6-digit)
- ▶ 總量計數器(可預調, 6位數)
Total counter (Preset, 6-digit)
- ▶ 煞車角度監視裝置
Brake angle monitor device
- ▶ 截斷輸出裝置2組
Cutting outlet: 2-set
- ▶ 備用電子式凸輪4組, 可自由規劃角度功能輸出
Spare electronic rotary cams: 4-set
- ▶ 定期里程保養自動檢知
Mileage maintenance reminder
- ▶ 前一日/前一個月/前一年產量紀錄備查
Pre-date/month/year production performance recorder
- ▶ 變頻器(國外採:無段變速V.S.馬達)
Inverter (or Variable speed V.S. motor -for overseas market)
- ▶ 主馬達正轉/逆轉裝置
"FOR." & "REV." modes for main motor
- ▶ 頂料裝置
Knock out device
- ▶ 手動黃油加油器
Manual grease pump
- ▶ 空氣吹料裝置
Air ejector
- ▶ 空氣源插座
Air source socket
- ▶ 電源插座110V,5A (國外採:220V,5A)
Power socket 220V, 5A (for overseas market)
- ▶ 自動送料軸 (在左側,送料方向:左-->右)
Power take-off feed shaft
(feed direction:left-->right)
- ▶ 移動式按鈕操作箱
Portable push button operation stand
- ▶ 防震腳墊
Rubber mount (shock absorber)
- ▶ 維護工具及工具箱
Maintenance tools with box
- ▶ 操作保養說明書
Operation Manual

安全裝置保護人身或模具 Safety devices for protecting workers or tools :

- ▶ 油壓式超負荷保護裝置
Hydraulic overload protector
- ▶ 誤送檢知迴路3組(A,B)
Mis-feed detective circuit: 3-set (A,B)
- ▶ 二度落防止裝置
Anti-repeat device (overrun detector)
- ▶ 光電護手安全裝置
Safety light curtain

外觀尺寸 MAJOR DIMENSION



選購配件 Optional Accessories

- ▶ 氣壓式模墊
Pneumatic die cushion
- ▶ 油壓式模墊
Hydraulic die cushion
- ▶ 電動黃油加油器
Auto grease pump
- ▶ 空氣送料機
Air feeder
- ▶ 滾輪送料機
Roll feeder
- ▶ 自動材料整平機
Auto material straighter
- ▶ PC板沖孔脫料系統
PC Board punching removal system
- ▶ 快速換模裝置, 如抬模器、移模臂...等
Quick die change system: die lifter, die arm, etc.
- ▶ 腳踏開關
Foot switch

Model	Size	A	B	C	D	E	F	G	H	I	J	K	L	M	N	O	P	Q	R
CSP-25		2015	935	1120	1060	720	900	640	720	340	175	350	260	755	240	400	540	960	Ø30
CSP-35		2130	1015	1210	1120	820	950	720	800	400	210	400	300	780	250	480	620	1050	Ø45
CSP-45		2320	1075	1320	1250	900	1060	800	850	450	230	460	350	780	270	524	680	1175	Ø45
CSP-60		2495	1140	1435	1350	1000	1140	890	880	560	290	490	400	810	300	560	745	1305	Ø50
CSP-80		2760	1235	1650	1560	1100	1360	970	1060	620	315	580	460	820	330	600	840	1470	Ø50
CSP-110		2985	1345	1820	1990	1250	1470	1100	1150	660	340	660	520	860	340	680	950	1590	Ø60
CSP-160		3295	1480	2090	2140	1480	1710	1260	1350	760	385	720	580	860	400	750	1070	1820	Ø60
CSP-200		3580	1680	2270	2140	1680	1740	1480	1500	830	420	860	660	900	450	900	1250	2070	Ø75
CSP-260		3800	1780	2450	2420	1780	2100	1580	1600	900	450	960	760	920	470	980	1360	2600	Ø90

規格表 SPECIFICATION

型號 Model Number	CSP-25	CSP-35	CSP-45	CSP-60	CSP-80	CSP-110	CSP-160	CSP-200	CSP-260											
沖壓能力(噸) Capacity (tons)	25	35	45	60	80	110	160	200	260											
行程 Stroke Length (mm)	80	50	100	50	120	60	130	60	150	100	180	100	200	120	210	120	250	160		
每分鐘沖數 Strokes Per Minute	S.P.M.	定速(標準) Constant Speed(standard)	90	110	80	100	70	95	65	90	60	80	50	70	40	62	35	52	30	47
		變速(特殊) Variable Speed(special)	70 110	80 140	60 100	70 130	50 85	60 120	40 75	55 110	40 75	50 100	35 65	45 90	30 50	35 70	25 45	30 60	22 40	30 50
衝力發生位置 Tonnage Rating Point (mm)	3.2	3.2	3.2	4	5	5	6	6	7											
閉合高度(下死點至平板面距離)*N* Shut Height (S.D.A.U.) (mm)	240	200	250	220	270	240	300	280	330	300	340	330	400	360	450	400	470	420		
滑塊調整量 Slide Adjustment (mm)	50	50	65	75	80	90	100	110	120											
滑塊底面積 *K x L* Slide Bottom Area (mm) L-R x F-B	350 x 260	400 x 300	460 x 350	490 x 400	580 x 460	660 x 520	720 x 580	860 x 660	960 x 760											
滑塊孔徑 Shank hole diameter (mm)	Ø 38.1	Ø 50.8	Ø 50.8	Ø 50.8	Ø 50.8	Ø 50.8	Ø 50.8	Ø 65	Ø 65											
台盤(平板)面積 *H x I* Bolster Area (mm)	720 x 340	800 x 400	850 x 450	880 x 560	1060 x 620	1150 x 660	1350 x 760	1500 x 830	1600 x 900											
台盤(平板)厚度 Bolster Thickness (mm)	85	90	95	105	135	145	155	180	190											
台盤(平板)下料孔(標準) Bolster Hole diameter (mm) (standard)	Ø 120	Ø 120	Ø 130	Ø 150	Ø 160	Ø 200	Ø 300	Ø 300	Ø 300											
作業面高度 *M* Work Height (mm)	755	780	780	810	820	860	860	900	920											
機架內側寬度 *O* Frame Inside Width (mm)	400	480	524	540	600	680	750	900	980											
機器尺寸 *B x C* Overall Size (mm) L-R x F-B	935 x 1120	1015 x 1210	1075 x 1320	1140 x 1435	1235 x 1650	1345 x 1820	1480 x 2090	1680 x 2270	1780 x 2450											
機器總高度 *A* Overall Height (mm)	2015	2130	2320	2495	2760	2985	3295	3580	3800											
主馬達 Main Motor	(KW x P)	定速(標準) Constant Speed(standard)	3.7 x 4	3.7 x 4	3.7 x 4	3.7 x 4	5.5 x 4	7.5 x 4	11 x 4	15 x 4	19 x 4									
		變速(特殊) Variable Speed(special)	3.7 x 4	3.7 x 4	3.7 x 4	5.5 x 4	7.5 x 4	11 x 4	15 x 4	19 x 4	22 x 4									
滑塊調整馬達 (KW x P) Slide Adjust Motor (KW x P)	0.12 x 4	0.4 x 4	0.4 x 4	0.4 x 4	0.5 x 4	0.5 x 4	0.75 x 4	0.75 x 4	1.5 x 4											
使用空氣壓力 Air Pressure (kgf/cm ²)	5	5	5	5	5	5	5	5	5											
模墊(選購配件) Die Cushion - to facilitate drawing (Optional accessory)																				
模墊能力 Cushion Capacity (tonf)	2.2	2.2	2.2	6	6	8	12	13	14											
模墊行程 Cushion Stroke Length (mm)	60	60	60	70	85	95	110	120	130											
頂板面積 (L-R x F-B) Pad Dimensions (mm)(L-R x F-B)	280 x 200	310 x 210	340 x 220	400 x 250	440 x 320	480 x 330	540 x 420	550 x 400	720 x 540											

1. 上列標示之機器總高度, 未包含"防震腳墊"高度。
2. 規格如變更不另通知, 以實際出廠產品規格為主。

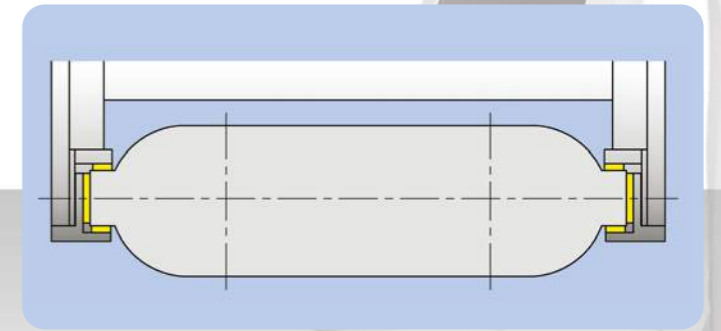
1.The above overall height excludes "rubber mount" height - (CSP-25: 38mm,
CSP-35 ~ 60: 41mm, CSP-80 ~ 160: 47mm, CSP-200 ~ 260: 60mm)
2. Based on main factory production, rights of modification reserved.

C型雙軸式精密沖床 C-FRAME DUBLE CRANK PRECISION POWER PRESS 110~260 tons CDP-110 / 160 / 200 / 260

SCM4合金鋼球螺桿
SCM4 Alloy Steel Ball Screw



六面導軌 Six-face Guide Rail



滑塊及模具平衡裝置
Counter balancer
(Equilibrating cylinders)

沖桿
Connecting rod

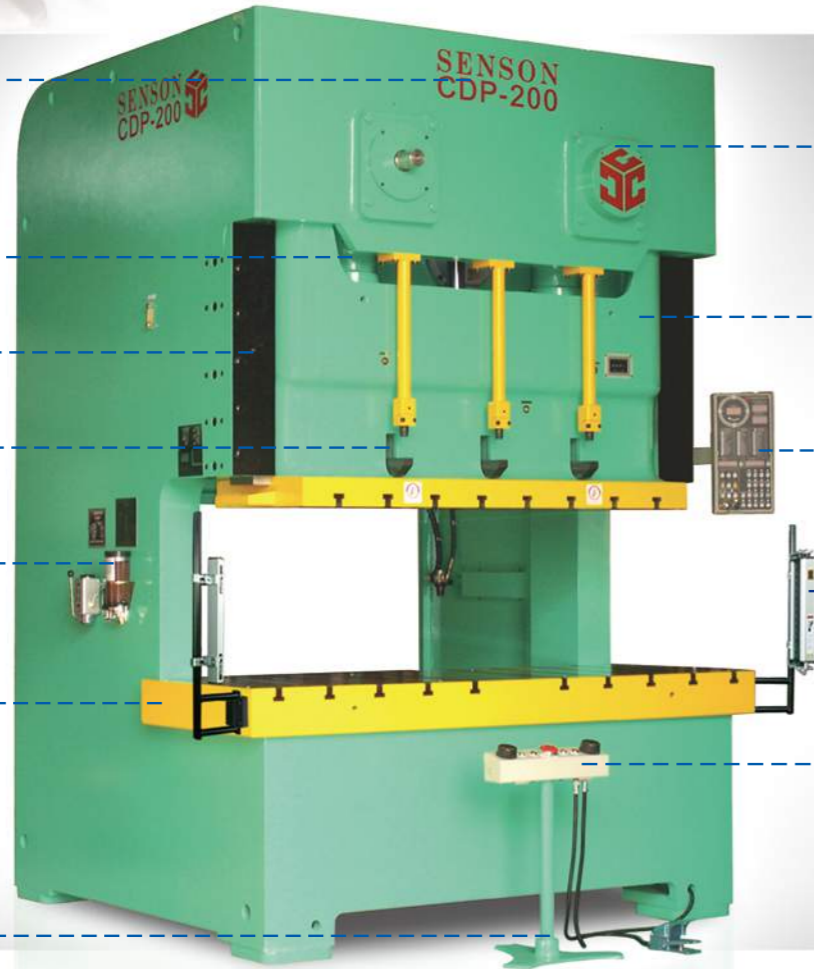
六面寬長型導軌
Six-face wide-and-long
guide rail

頂料裝置
Knock out device

電動黃油加注器
Electric grease pump

平板(台盤)
Bolster

腳踏開關
Foot switch



二度落防止裝置
Anti-repeat
device(Overrun detector)

沖頭滑塊
Slide

曲軸角度LED顯示
Crank angle LED display

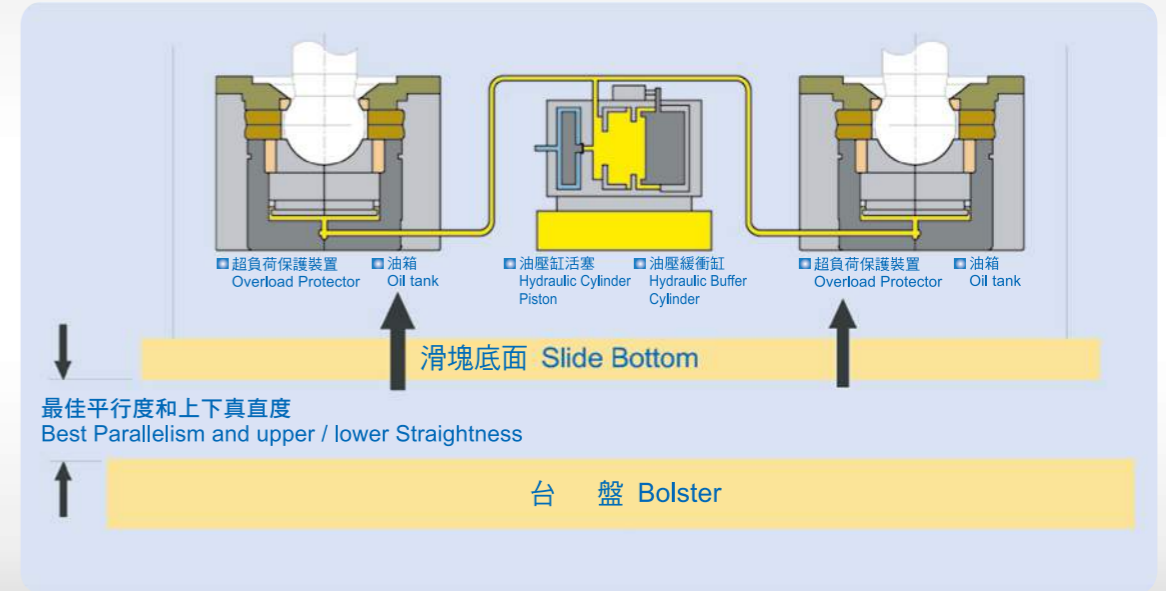
光電護手安全裝置
Safety light curtain

移動式按鈕操作箱
Portable push button
operation stand

油壓式超負荷保護裝置 Hydraulic Overload Protector

沖床滑塊裝有超負荷裝置，用以保護沖床及模具安全，無咬模之顧慮。

When an overload occurs, the press instantly goes into emergency stop mode to protect the die and the press, without concern about die jam.

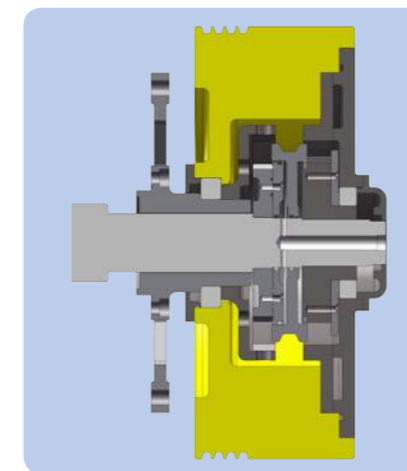


單/雙手按鈕操作台 Single/Two-hand Push Button Operation Stand

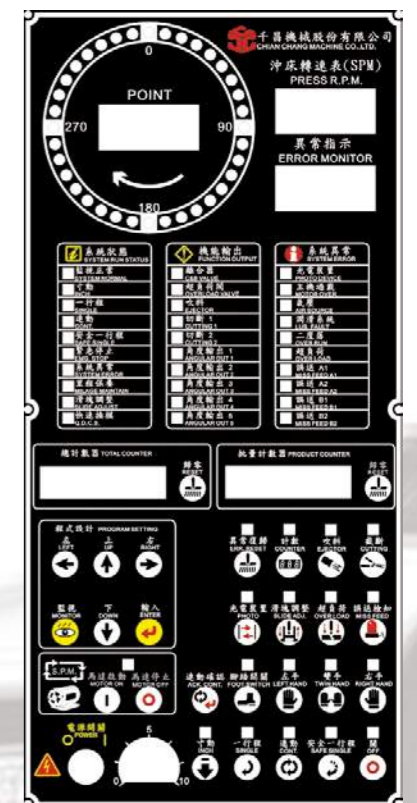


濕式煞車離合器 Wet Type Clutch Brake

使用浸油濕式來令片，煞車敏捷，耐磨損，壽命長。適用於無塵室，無污染低噪音，符合環保。
Use Oiled Wet Type Brake Pad: Quick Brake, Wear Resistance and Long Lifetime. Suitable for Clean Room, Zero Pollution, Low Noise and Environment Protection.



防油汙觸控式控制面板 Touch Screen Control Panel



系列特點說明

- 先進多功能控制器：搭配LED角度顯示器及電子數字顯示幕，衝床運轉狀態易懂易操作。直接於觸控式面板設定欲動作及停止角度，免除傳統。
- 高剛性機架：機架採剛性極佳之鋼板焊接而成後經退火熱處理，承受力及延展性極佳，堅實耐用。
- 六面寬長型導軌：六面寬長型導軌採磷青銅材質，耐磨耗並能確保滑塊平穩且精確運作，不但促進工作效率，生產完美品質，更可延長模具壽命。
- 雙曲軸反方向同步運動，無側向壓力，可容許較大偏心負荷之沖壓工作。
- 適用範圍廣泛：滑塊底面積及平板面積寬廣，適合各種汽機車零件、機械零件、電器及PC零件...等之連續沖壓作業。

Features of CDP Series

- Advanced Multifunctional Controller: An advanced multifunctional controller with LED crank angle display and digital screen, easy-to-see and easy-to-operate. Direct input of the desired movement and stop angles on the touch screen control panel, without the trouble of adjusting angles from the cam box for conventional PLC and relay loop.
- High Rigidity Frame: the machine frame is welded with steels of excellent rigidity and treated by annealing, it is very tough, ductile, strong and durable.
- Six-face wide-and-long Guide Rail: The guide rail is made of phosphor bronze, which is excellent resistance and endures smooth and accurate slide movement. Not only improves work efficiency with perfect production quality but also extends die life.
- Double crank simultaneous motion the opposite direction, which is on side pressure and allows to work for larger eccentric load.
- Extensive Scope of Application: Broad slide bottom and bolster are suitable for punching operations with progressive dies for various automotive, motorcycle and machine components, appliance and computer parts.

配件一覽表 ACCESSORIES

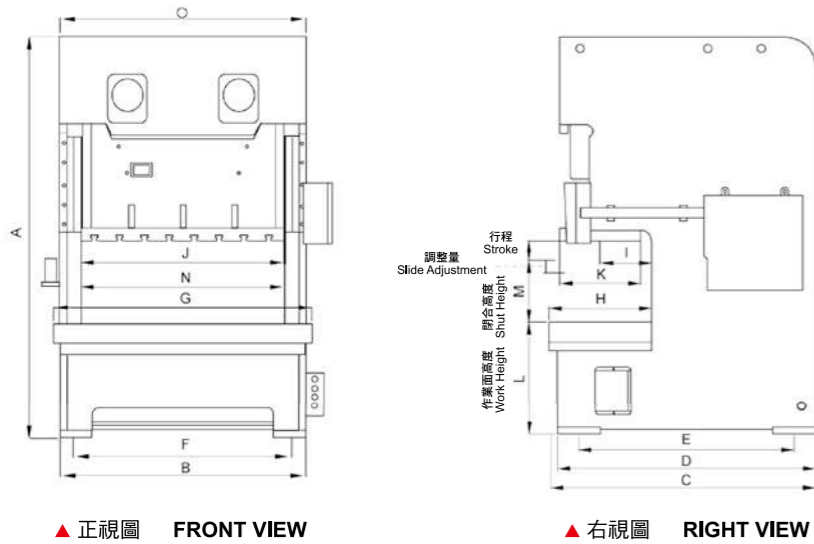
標準型配件 Standard Accessories

- 選擇開關(切、寸動、單動、安全一行程、連續)
Operation mode ("off", "inch"/"single"/"safe single"/"continuous")
- 濕式剎車離合器
Wet type clutch brake
- 滑塊及模具平衡裝置
Counter balancer (Equilibrating cylinders)
- 電動式滑塊調整裝置
Motorized slide adjuster
- 數字式模高指示器
Die height indicator
- 譯碼器
Encoder
- 360° 曲軸角度LED顯示器
Crank angle LED display
- 沖床轉數顯示器
S.P.M. display
- 批量計數器
(可預調,6位數)
Product lot counter (Preset,6-digit)
- 總量計數器
(可預調,6位數)
Total counter (Preset,6-digit)
- 剎車角度監視裝置
Brake angle monitor device
- 截斷輸出裝置2組
Cutting outlet:2-set
- 備用電子式凸輪4組
可自由規劃角度功能輸出
Spare electronic rotary cams:4-set
- 定期里程保養自動檢知
Mileage maintenance reminder
- 前一日/前一個月/前一年
產量記錄備查
Pre-date/month/year production performance recorder
- 變頻器 (國外採: 無段變速V.S.馬達)
Inverter (or Variable speed V.S. motor for overseas market)
- 主馬達正轉/逆轉裝置
"FOR." & "REV" modes for main motor
- 頂料裝置
Knock out device
- 電動黃油加油器
Auto grease pump
- 空氣吹料裝置
Air ejector
- 空氣源插座
Air source socket
- 電源插座110V,5A (國外採:220V,5A)
Power socket 220V,5A (for overseas market)
- 自動送料軸 (在前方, 送料方向:左->右)
Power take-off feed shaft (feed direction:left->right)
- 移動式按鈕操作箱
Portable push button operation stand
- 防震腳墊
Rubber mount (Shock absorber)
- 維護工具及工具箱
Maintenance tools with box
- 操作保養說明書
Operation Manual

安全裝置保護人身或模具: Safety devices for protecting workers or tools:

- 油壓式超負荷保護裝置
Hydraulic overload protector
- 誤送檢知迴路3組(A,B)
Mis-feed detective circuit 3-set (A,B)
- 二度落防止裝置
Anti-repeat device (Overrun detector)
- 光電護手安全裝置
Safety light curtain

外觀尺寸 MAJOR DIMENSION



選購配件 Optional Accessories

- 氣壓式模墊
Pneumatic die cushion
- 油壓式模墊
Hydraulic die cushion
- 空氣送料機
Air feeder
- 滾輪送料機
Roll feeder
- 自動材料整平機或材料架
Auto material straighter
- 快速換模裝置, 如移模臂、抬模器...等
Quick die change system: die lifter, die arm, etc
- 腳踏開關
Foot switch

Model	Size	A	B	C	D	E	F	G	H	I	J	K	L	M	N	O
CDP-110		2930	2160	1825	1805	1545	1960	1900	680	345	1460	560	880	400	1530	1830
CDP-160		3180	2230	1980	1930	1610	2030	2040	760	390	1600	600	900	450	1620	1940
CDP-200		3520	2250	2230	2180	1820	1950	2250	815	435	1860	660	970	500	1890	2250
CDP-260		3920	2900	2520	2480	2120	2660	2720	920	465	2120	720	1060	550	2200	2580

規格表 SPECIFICATION

型號 Model Number	CDP-110	CDP-160	CDP-200	CDP-260
沖壓能力(噸) Capacity(tons)	110	160	200	260
行程(mm) Slide Stroke Length	180	200	220	240
每分鐘沖數(Variable Speed) Strokes Per Minute	30-65	30-50	25-47	20-41
能力發生位置 Tonnage Rating Point(mm)	5	6	6	7
閉合高度(下死點至平板距離) Shut Height (S.D.A.U)(mm)*M*	400	450	500	550
滑塊調整量 Slide Adjustment(mm)	100	110	120	130
滑塊底面積 *J × K* Slide Bottom Area *J×K*(mm)	1460x560	1600x600	1860x660	2120x820
台盤(平板)面積 *G × H* Bolster Area *G×H*(mm)	1900x680	2040x760	2420x860	2720x920
台盤(平板)厚度 Bolster Thickness (mm)	150	160	170	180
作業面高度 *L* Work Height *L*(mm)	880	900	970	1030
機架內側寬度 *N* Frame Inside Width *N*(mm)	1530	1620	1890	2190
機器尺寸 *B × D* Overall Size *B×D*(mm)	2160x1825	2230x1980	2250x2230	2900x2520
機器總高度 *A* Overall Height *A*(mm)	2930	3180	3520	3860
主馬達(變速)(KW×P) Main Motor(Variable Speed)(KW×P)	11x4	15x4	19x4	22x4
滑塊調整馬達(KW×P) Slide Adjust Motor(KW×P)	0.75x4	0.75x4	1.5x4	2.2x4
使用空氣壓力 Air Pressure (kgf/cm ²)	5	5	5	5

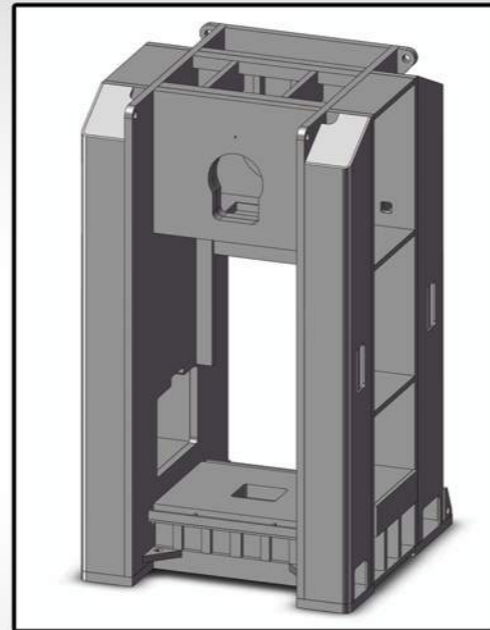
附註: 規格如變更不另通知, 以實際出廠產品規格為主。
PS: Based on the main factory production, rights of modification reserved.

門型直軸精密沖床 H-FRAME SINGLE CRANK PRECISION POWER PRESS

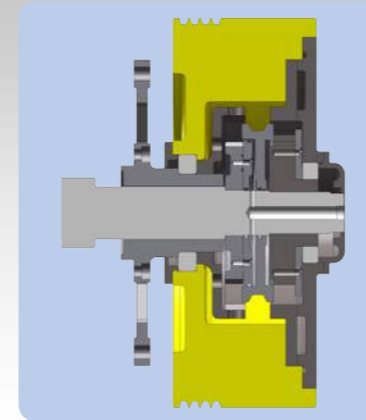
HS1P-35 / 45 / 60 / 80 / 110 / 160 / 200 / 300 / 400~1000
35~1000 tons (500 tons 以上客製化 Customized 500 tons and up)



高剛性機架
High Rigidity Frame



濕式煞車離合器
Wet Type Clutch Brake



防油污觸控式控制面板
Touch Screen Control Panel



單/雙手按鈕操作台
Single/Two-hand Push Button Operation Stand



HS1P系列特點說明：

- 先進多功能控制器：本系列沖床採用專為工業控制所設計之可程式控制器(PLC)作為控制核心，沖床動作更為穩定且安全。控制方式已完全數位化，經由譯碼器同步監控系統狀態，自操作面板上的燈號及電子數字顯示幕即可得知動作狀態，而直接在操作面板上輸入想要動作的角度即可改變輸出結果，免除了傳統PLC及繼電器迴路須自凸輪箱調整角度之不便。
- 高品質，使用年限長：機架採剛性極佳之鋼板焊接而成，並經退火熱處理，承受力及延展性極佳，堅實耐用。寬長型導軌採耐磨性極佳之磷青銅製造而成，能確保滑塊精準運作、保護模具完整及延長模具使用年限。
- 精度準確：經由電子式模高指示器裝置可精確地讀取模具高度及深度。HS1P-80~400噸沖床指示精度可達0.1MM單位。
- 超負荷安全裝置：沖床沖頭裝有沖壓式超負荷安全保護裝置，用以保護沖床及模具之安全，無咬模之顧慮。
- 適用範圍廣泛：本系列沖床滑塊底面面積及平板面積寬廣，工作範圍大。沖壓作業安全、迅速、完美，適合各種汽機車零件、電腦零件、電器五金及機械零件等之抽拉、沖壓作業。

Features for HS1P Series:

- Advanced Multifunctional Controller: The machine control is completely digitized and can simultaneously monitor the system status by an encoder. The lights and the digital screens on the operation panel can indicate the state of any movement. Direct input of the desired movement angles on the operation panel can change the output results, which avoids the inconvenience with the angle adjustment from the cam box for conventional PLC and relay loop.
- High Quality, Long Service Life: The machine frame is welded with steels of excellent rigidity and treated by annealing, so it is very tough, ductile, strong and durable. Its wide and long guide rails are made of phosphor bronze with very good wearability, so they can ensure the precise movement for the slide, protect the integrity of the dies and extend the life of dies.
- High Precision: Electronic die height indicators can precisely read die height. It is indicated digitally in 0.1MM units for presses HS1P-80 ~ 400 tons.
- Hydraulic Overload Protector: When an overload occurs, the press is stopped instantly to protect the die and the press, without the concerns about die jam.
- Extensive Scope of Application: The series of presses have broad area for slide bottoms and bolster, so the working range is large and punching operation is safe, fast and flawless. The presses are suitable for the drawing and punching operation with various automotive and motorcycle components, computer parts, appliance parts, hardware and machine components.



門型直軸式精密沖床 H-FRAME SINGLE CRANK PRECISION POWER PRESS

HS1P-35 / 45 / 60 / 80 / 110 / 160 / 200 / 300 / 400~1000
35~1000 tons (500 tons 以上客製化 Customized 500 tons and up)

配件一覽表 ACCESSORIES

標準型配件 Standard Accessories

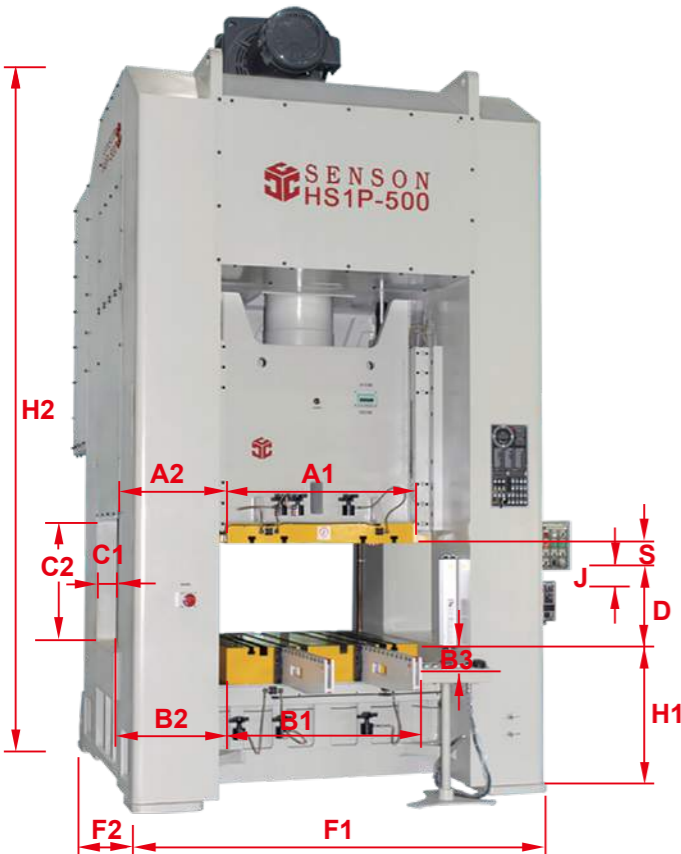
- ▶ 選擇開關(切、寸動、單動、安全行程、連續)
Operation mode ("off", "inching"/"single"/"safe single"/"continuous")
- ▶ 濕式剎車離合器
Wet type clutch brake
- ▶ 滑塊及模具平衡裝置
Counter balancer(Equilibrating cylinders)
- ▶ 電動式滑塊調整裝置
Motorized slide adjuster
- ▶ 數字式模高指示器
Die height indicator
- ▶ 前一日/前一個月/前一年產量紀錄備查
Pre-date/month/year production performance recorder
- ▶ 譯碼器
Encoder
- ▶ 360° 曲軸角度LED指示器
Crank angle LED display
- ▶ 沖床轉數顯示器
S.P.M. display
- ▶ 批量計數器(可預調, 6位數)
Product lot counter (Preset,6-digit)
- ▶ 總量計數器(可預調, 6位數)
Total counter(Preset,6-digit)
- ▶ 剎車角度監視裝置
Brake angle monitor device
- ▶ 截斷輸出裝置2組
Cutting outlet:2-set
- ▶ 備用電子式凸輪4組
可自由規劃角度功能輸出
Spare electronic rotary cams:4-set
- ▶ 定期里程保養自動檢知
Mileage maintenance reminder
- ▶ 電動黃油加油器
Auto grease pump
- ▶ 變頻器(國外採:無段變速V.S.馬達)
Inverter(or Variable speed V.S. motor -for overseas market)
- ▶ 主馬達正轉/逆轉裝置
"FOR." & "REV." modes for main motor
- ▶ 自動送料軸(在左側, 送料方向:左→右)
Power take-off feed shaft (feed direction:left→right)
- ▶ 空氣源插座
Air source socket
- ▶ 電源插座110V, 5A (國外採:220V, 5A)
Power socket 220V,5A(for overseas market)
- ▶ 移動式按鈕操作箱
Portable push button operation stand
- ▶ 空氣吹料裝置
Air ejector
- ▶ 防震腳墊
Rubber mount (Shock absorber)
- ▶ 維護工具及工具箱
Maintenance tools with box
- ▶ 操作保養說明書
Operation Manual

安全裝置保護人身或模具: Safety devices for protecting workers or tools:

- 油壓式超負荷保護裝置
Hydraulic overload protector
- 誤送檢知迴路3組(A,B)
Mis-feed detective circuit: 3-set (A,B)
- 二度落防止裝置
Anti-repeat device (Overrun detector)
- 光電護手安全裝置
Safety light curtain

選購配件 Optional Accessories

- ▶ 腳踏開關
Foot switch
- ▶ 氣壓式模墊
Pneumatic die cushion
- ▶ 油壓式模墊
Hydraulic die cushion
- ▶ 空氣送料機
Air feeder
- ▶ 滾輪送料機
Roll feeder
- ▶ 自動材料整平機或材料架
Auto material straighter
- ▶ 快速換模裝置, 如移模臂、抬模器...等
Quick die change system: die lifter, die arm, etc



規格表 (500 tons以上客製化規格) SPECIFICATION (Specifications of customized 500 tons and up)

型號 Model Number	HS1P-35	HS1P-45	HS1P-60	HS1P-80	HS1P-110	HS1P-160	HS1P-200	HS1P-300	HS1P-400									
沖壓能力(噸) Capacity(tons)	35	45	60	80	110	160	200	300	400									
行程(mm) * S * Slide Stroke Length *S*	80 40	100 50	120 60	130 70	160 80	180 100	200 100	250 140	300 160									
每分鐘沖數 Strokes Per Minute (Variable Speed)	70 110	80 140	60 100	70 130	50 85	60 120	40 75	55 110	40 75	50 100	35 65	45 80	30 50	35 70	25 45	30 55	22 40	30 50
能力發生位置 Tonnage Rating Point(mm)	3.2	3.5	4	5	6	6	7	7	8									
閉合高度(下死點至平板距離) Shut Height (S.D.A.U)(mm) *D*	250	270	300	320	350	360	400	500	650									
滑塊調整量 *J * Slide Adjustment(mm) *J*	50	60	75	80	90	100	110	130	160									
滑塊底面積 *A1×A2 * Slide Bottom Area(mm)*A1A2*	700×400	760×420	900×480	1020×560	1120×600	1200×620	1260×700	1300×860	1400×1000									
台盤(平板)面積 *B1×B2 * Bolster Area(mm)*B1B2*	780×400	820×460	1000×580	1120×620	1220×680	1300×700	1360×780	1400×980	1560×1200									
台盤(平板)厚度 *B3 * Bolster Thickness(mm)*B3*	90	100	115	130	150	165	180	200	220									
作業面高度 *H1 * Work Heigh(mm)*H1*	780	780	790	820	860	880	960	980	1100									
機架側孔面積 *C1×C2 * Frame Side Hole Area(mm)*C1C2*	300×400	360×430	400×420	460×460	480×500	560×580	620×640	680×700	780×780									
機器尺寸 *F1×F2 * Overall Size(mm)*F1F2*	1100×1120	1200×1160	1300×1300	1420×1400	1600×1600	1700×1680	1800×1780	1880×1860	1980×1960									
機器總高度 *H2 * Overall Height(mm)*H2*	2450	2600	2700	2960	3080	3300	3500	4000	4500									
主馬達(變速)(KW×P) Main Motor(Variable Speed)(KW×P)	3.7×4	3.7×4	5.5×4	7.5×4	11×4	15×4	19×4	30×4	37×4									
滑塊調整馬達(KW×P) Slide Adjust Motor(KW×P)	0.4×4	0.4×4	0.4×4	0.75×4	0.75×4	0.75×4	1.5×4	2.2×4	3.7×4									
使用空氣壓力 Air Pressure(kgf/cm ²)	5	5	5	5	5	5	5	5	5									

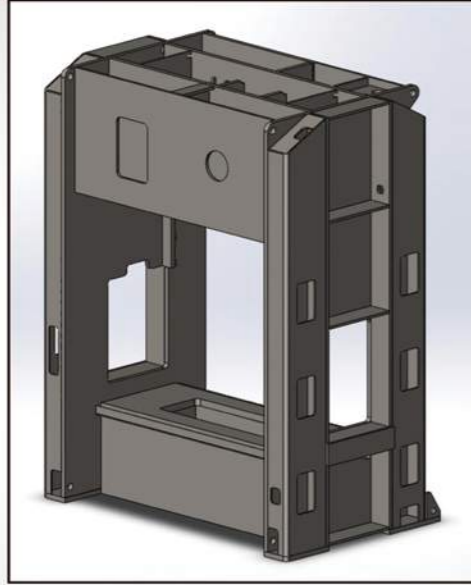
PS: 規格如變更不另通知, 以實際出廠產品規格為主。(依據客戶需要, 製造所需規格。)
PS: Based on the main factory production, rights of modification reserved. (Based on consumer requirement, make a specification.)

門型雙軸連桿式精密沖床 H-FRAME DOUBLE CRANK LINK MOTION PRECISION POWER PRESS

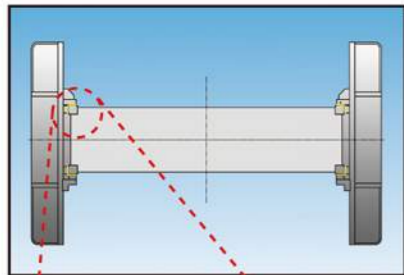
HL2P-200 / 300 / 400 / 600 / 800~1200

200~1200 tons (800 tons 以上客製化 Customized 800 tons and up)

高剛性機架
High Rigidity Frame



八面寬長型導軌
Eight-face (wide and long) Guide Rail



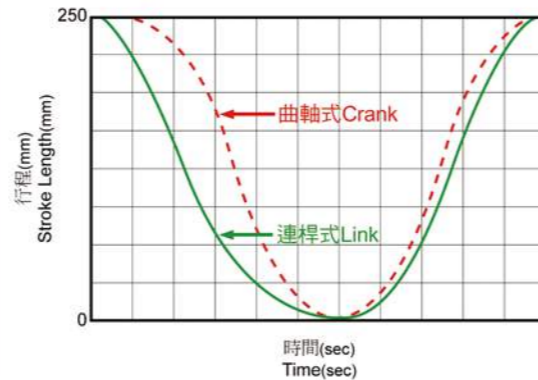
防油污觸控式控制面板
Touch Screen Control Panel



單/雙手按鈕操作台
Single/Two-hand Push Button Operation Stand



沖壓時間曲線比較圖
Stamping Time Curve Comparison Chart



HL2P系列特點說明：

- 先進多功能控制器
搭配LED角度顯示器及電子數字顯示幕，衝床運轉狀態易易懂易操作。
直接於觸控式面板設定欲動作及停止角度，免除傳統。
- 高剛性機架
機架採剛性極佳之鋼板焊接後經退火熱處理，承受力及延展性極佳，堅實耐用。
- 八面寬長型導軌
八面寬長型導軌採磷青銅材質，耐磨耗並能確保滑塊平穩且精確運作。
- 連桿式傳動和加工特點
滑塊高速落下到加工區變緩慢低速加工，離開加工區後，再高速回昇。
低速加工成形時間長，讓成形更穩更佳，提高工件的良率。
低速加工更能減低模具衝擊，提高模具壽命。
- 濕式煞車離合器
使用浸油濕式來令片，煞車敏捷耐磨損，無污染低噪音，壽命長。

Features for HL2P Series:

- **Advanced Multifunctional Controller**
An advanced multifunctional controller with LED crank angle display and digital screen, easy-to-see and easy-to-operate. Direct input of the desired movement and stop angles on the touch screen control panel, without the trouble of adjusting angles from the cam box for conventional PLC and relay loop.
- **High Rigidity Frame**
The machine frame is welded with steels of excellent rigidity and treated by annealing, it is very tough, ductile, strong and durable.
- **Eight-face wide-and-long Guide Rail**
The guide rail is made of phosphor bronze, which is excellent resistance andures smooth and accurate slide movement.
- **Link Motion and processing characteristics**
The slide falling with high speed and reduced touch speed to improve processing time. Increased metal flow time, improved the product quality and increased productivity. Lower impact, shock and vibration improves die life.
- **Wet Type Clutch Brake**
Use oiled wet type brake pad, quick brake, wear resistance, zero pollution, low noise and long lifetime.

門型雙軸連桿式精密沖床 H-FRAME DOUBLE CRANK LINK MOTION PRECISION POWER PRESS

HL2P-200 / 300 / 400 / 600 / 800~1200
200~1200 tons (800 tons 以上客製化 Customized 800 tons and up)

配件一覽表 ACCESSORIES

標準型配件 Standard Accessories

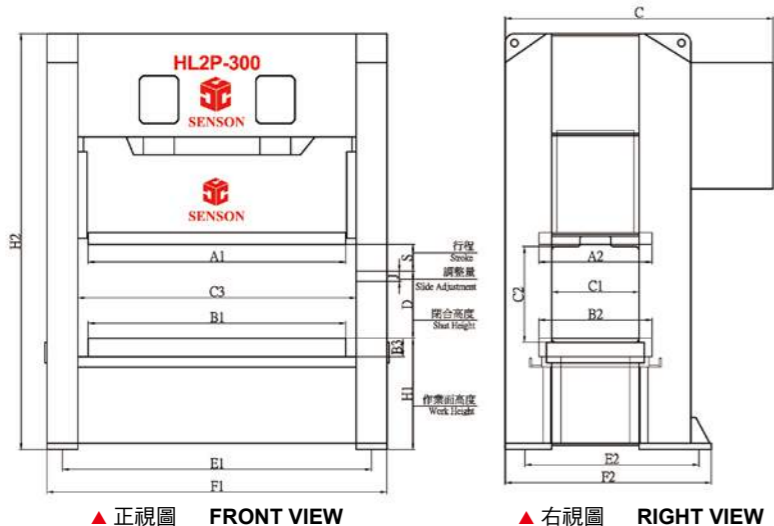
- ▶ 選擇開關(切、寸動、單動、安全一行程、連續)
Operation mode ("off", "inching"/"single"/"safe single"/"continuous")
- ▶ 濕式剎車離合器
Wet type clutch brake
- ▶ 滑塊及模具平衡裝置
Counter balancer(Equilibrating cylinders)
- ▶ 電動式滑塊調整裝置
Motorized slide adjuster
- ▶ 數字式模高指示器
Die height indicator
- ▶ 前一日/前一個月/前一年產量紀錄備查
Pre-date/month/year production performance recorder
- ▶ 譯碼器
Encoder
- ▶ 360° 曲軸角度LED指示器
Crank angle LED display
- ▶ 沖床轉數顯示器
S.P.M. display
- ▶ 批量計數器(可預調, 6位數)
Product lot counter (Preset,6-digit)
- ▶ 總量計數器(可預調, 6位數)
Total counter(Preset,6-digit)
- ▶ 剎車角度監視裝置
Brake angle monitor device
- ▶ 截斷輸出裝置2組
Cutting outlet:2-set
- ▶ 備用電子式凸輪5組
可自由規劃角度功能輸出
Spare electronic rotary cams:5-set
- ▶ 定期里程保養自動檢知
Mileage maintenance reminder
- ▶ 強制循環油潤滑系統
Forced-circulation oil-lubrication systems
- ▶ 變頻器
Inverter(or Variable speed V.S. motor -for overseas market)
- ▶ 主馬達正轉/逆轉裝置
"FOR." & "REV." modes for main motor
- ▶ 自動送料軸(在左側, 送料方向:左→右)
Power take-off feed shaft (feed direction:left→right)
- ▶ 空氣源插座
Air source socket
- ▶ 電源插座110V, 5A(國外採:220V, 5A)
Power socket 220V,5A(for overseas market)

- ▶ 移動式按鈕操作箱
Portable push button operation stand
- ▶ 空氣吹料裝置
Air ejector
- ▶ 防震腳墊
Rubber mount (Shock absorber)
- ▶ 維護工具及工具箱
Maintenance tools with box
- ▶ 操作保養說明書
Operation Manual

安全裝置保護人身或模具： Safety devices for protecting workers or tools:

- 油壓式超負荷保護裝置
Hydraulic overload protector
- 誤送檢知迴路4組(2A, 2B)
Mis-feed detective circuit: 4-set (2A, 2B)
- 二度落防止裝置
Anti-repeat device (Overrun detector)
- 光電護手安全裝置
Safety light curtain

外觀尺寸 MAJOR DIMENSION



選購配件 Optional Accessories

- ▶ 氣壓式模墊
Pneumatic die cushion
- ▶ 油壓式模墊
Hydraulic die cushion
- ▶ 空氣送料機
Air feeder
- ▶ 滾輪送料機
Roll feeder
- ▶ 自動材料整平機或材料架
Auto material straighter
- ▶ 快速換模裝置, 如移模臂、抬模器...等
Quick die change system: die lifter, die arm, etc
- ▶ 腳踏開關
Foot switch

Model	Size	A1	A2	B1	B2	C	C1	C2	C3	D	E1	E2	F1	F2	H1	H2
HL2P-200		1920	900	2100	900	1600	660	780	2200	500	2500	1570	2800	1880	1000	3850
HL2P-300		2500	1100	2600	1200	2810	820	1030	2700	650	3000	1800	3300	2110	1080	4310
HL2P-400		2600	1200	2600	1200	2985	1060	1140	2840	700	3260	2200	3680	2610	1200	5070
HL2P-600		3200	1800	3200	1800	3565	1430	1160	3460	800	4100	2500	4580	2900	1860	6000

規格表 SPECIFICATION

型號 Model Number	HL2P-200	HL2P-300	HL2P-400	HL2P-600
沖壓能力(噸) Capacity (tons)	200	300	400	600
行程(mm) * S * Slide Stroke Length (mm)	160	250	250	250
每分鐘沖數 (Variable Speed) Strokes Per Minute	30-70	20-50	20-60	20-60
能力發生位置 Tonnage Rating Point (mm)	6	7	8	10
閉合高度(下死點至平板面距離) Shut Height (S.D.A.U.) (mm) * D *	500	650	700	800
滑塊調整量 * J * Slide Adjustment (mm)	120	150	200	250
滑塊底面積 * A1×A2 * Slide Bottom Area (mm)	1900×900	2500×1100	2600×1200	3200×1800
台盤(平板)面積 * B1×B2 * Bolster Area (mm)	2100×900	2600×1200	2600×1200	3200×1800
台盤(平板)厚度 * B3 * Bolster Thickness (mm)	170	180	200	580
作業面高度 * H1 * Work Height (mm)	1000	1080	1200	1860
機架內側寬度 * C * Frame Inside Width (mm)	2200	2700	2840	3460
機器尺寸 * F1×F2 * Overall Size (mm)	2800×1880	3300×2110	3680×2630	4580×2900
機器總高度 * H2 * Overall Height (mm)	3850	4310	5070	6000
主馬達(變速)【HP(KW)×P】 Main Motor(Variable Speed)	25(19KW)×4	40(30KW)×4	60(45KW)×4	75(56KW)×4
滑塊調整馬達【HP(KW)×P】 Slide Adjust Motor	2(1.5KW)×4	5(3.75KW)×4	5(3.75KW)×4	7.5(5.6KW)×4
使用空氣壓力 Air Pressure (kgf/cm ²)	5	5	5	5

PS: 規格如變更不另通知, 以實際出廠產品規格為主。

Based on the main factory production, rights of modification reserved.

門型雙軸式精密沖床 H-FRAME DOUBLE CRANK PRECISION POWER PRESS

200~1600 tones

HD2P 系列特點說明 Features of HD2P Series

- 衝力集中，衝頭無側向壓力，運動平穩、精確。
- 微電腦控制系統，配合譯碼器同步監控，隨時掌握沖壓過程之狀況。
- 適合各種單動，連續抽拉之作業。
- 接受訂製移動式平板，提高生產效率。
- Force is concentrated on the down stroke with no lateral force, resulting in smooth and accurate pressing.
- Micro computer and encoder synchronous controls give a true readout of pressing operations at all times.
- Using for single punch, progressive die or drawing operations.
- Expanding productivity, customized moving bolster design accepted.



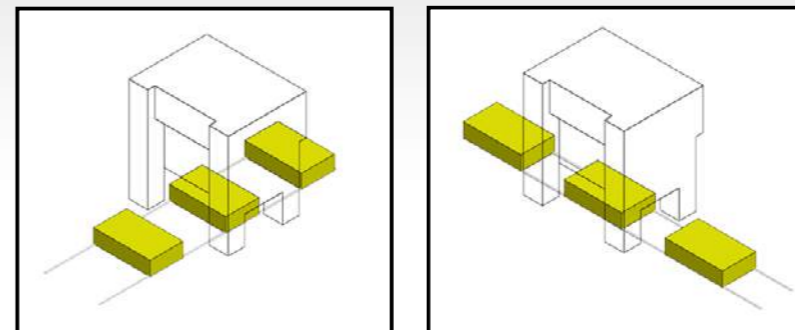
移動式平板 Moving Bolster

移動式平板的設計，能讓換模作業時省力。
搭配快速換模裝置，如移模臂、抬模器...等，換模作業更有效率。
移動式平板的規格可依客製要求調整。

The moving bolster design expects to save time and labor in changing molds.

Coupled with the fast changing mold facilities such as moving arms and lifters, this device makes the mold changing operations more efficient.

Specifications of moving type table are adjustable according to customer requirements.



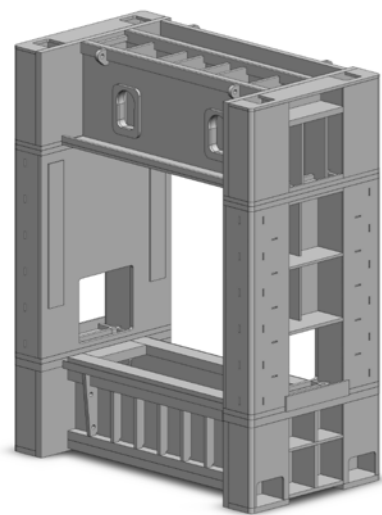
防油污觸控式控制面板 High Touch Screen Control Panel



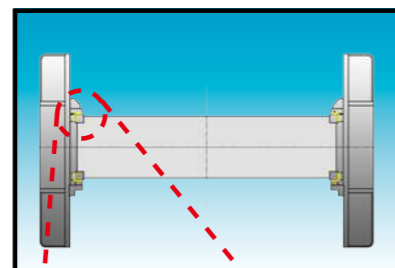
落地式控制箱 Floor Type Control Box



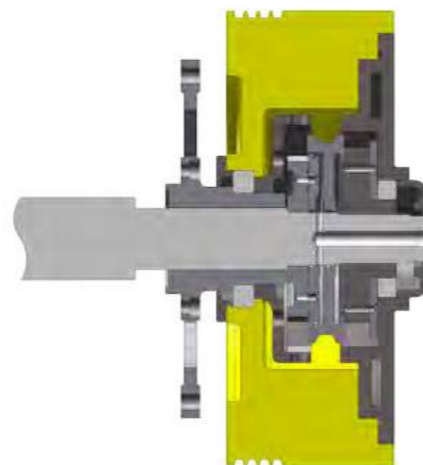
高剛性機架 High Rigid Frame



八面寬長型導軌 Eight-face wide-and-long Guide Rail



濕式煞車離合器 Wet Type Clutch Brake



配件一覽表 ACCESSORIES

標準型配件 Standard Accessories

- ▶ 選擇開關(切、寸動、單動、安全 — 行程、連續)
Operation mode ("off", "inching"/"single"/"safe single"/"continuous")
- ▶ 濕式剎車離合器
Wet type clutch brake
- ▶ 滑塊及模具平衡裝置
Counter balancer (Equilibrating cylinders)
- ▶ 電動式滑塊調整裝置
Motorized slide adjuster
- ▶ 數字式模高指示器
Die height indicator
- ▶ 前一日/前一個月/前一年產量紀錄備查
Pre-date/month/year production performance recorder
- ▶ 譯碼器
Encoder
- ▶ 360°曲軸角度 LED指示器
Crank angle LED display
- ▶ 沖床轉數顯示器
S.P.M. display
- ▶ 批量計數器(可預調,6位數)
Product lot counter (Preset,6-digit)
- ▶ 總量計數器(可預調,6位數)
Total counter (Preset,6-digit)
- ▶ 剎車角度監視裝置
Brake angle monitor device
- ▶ 截斷輸出裝置2組
Cutting outlet:2-set
- ▶ 備用電子式凸輪4組
可自由規劃角度功能輸出
Spare electronic rotary cams: 4-set
- ▶ 定期里程保養自動檢知
Mileage maintenance reminder
- ▶ 強制循環油潤滑系統
Forced-circulation oil-lubrication systems
- ▶ 變頻器
Inverter(or variable speed V.S. motor -for overseas market)
- ▶ 主馬達正轉/逆轉裝置
"FOR." & "REV." modes for main motor
- ▶ 自動送料軸(在左側,送料方向:左→右)
Power take-off feed shaft (feed direction:left→right)
- ▶ 空氣源插座
Air source socket
- ▶ 電源插座110V,5A(國外採: 220V,5A)
Power socket 220 V,5A (for overseas market)
- ▶ 移動式按鈕操作箱
Portable push button operation stand
- ▶ 空氣吹料裝置
Air ejector
- ▶ 防震腳墊
Rubber mount (Shock absorber)
- ▶ 維護工具及工具箱
Maintenance tools with box
- ▶ 操作保養說明書
Operation manual

安全裝置保護人身或模具：
Safety devices for protecting workers or tools:

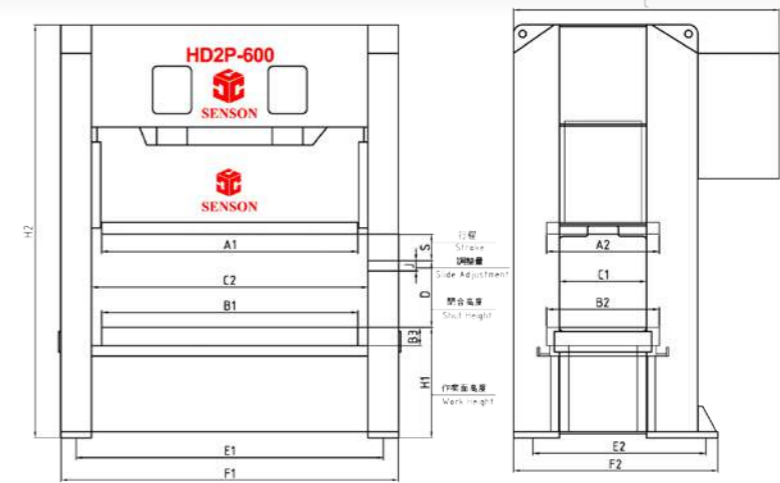
油壓式超負荷保護裝置
Hydraulic overload protector

誤送檢知迴路3組 (2A,2B)
Mis-feed detective circuit: 3-set (2A,2B)

二度落防止裝置
Anti-repeat device (Overrun detector)

光電護手安全裝置
Safety light curtain

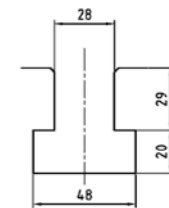
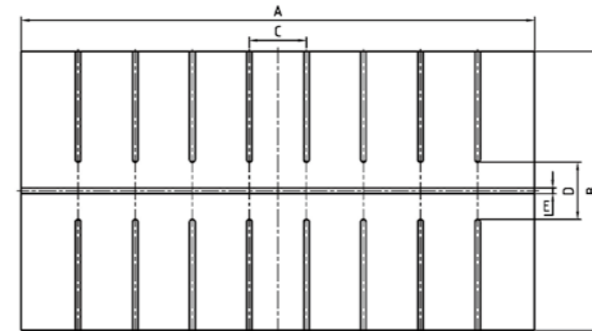
機器外觀尺寸 Major Dimension



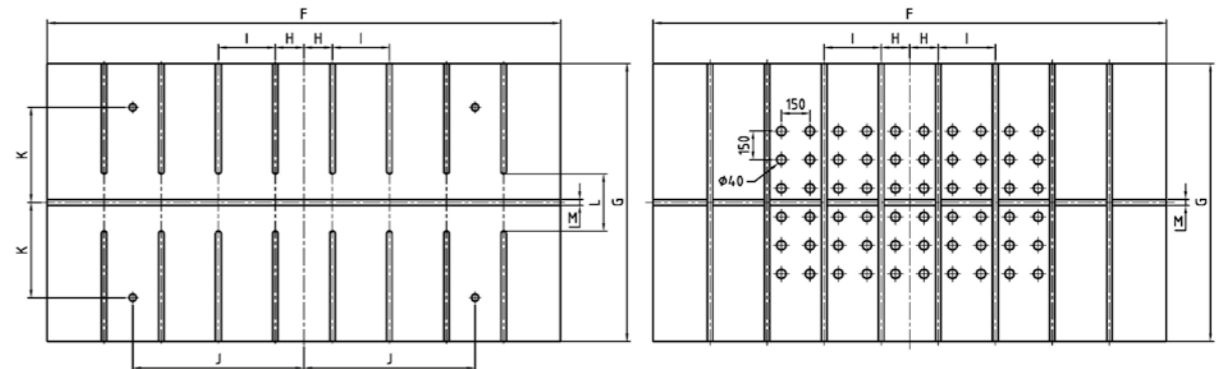
Model	Size	H2	F1	F2	C	C1	C2	E1	E2	B1	B2	A1	A2	H1	D
HD2P-200		3840	2800	1840	2540	660	2200	2500	1530	2100	1100	1900	1000	960	500
HD2P-300		4085	3510	1810	2410	660	2910	3210	1575	2800	1200	2600	1100	1080	700
HD2P-400		4880	3910	2480	2890	820	3070	3450	2230	2800	1460	2700	1460	1100	800
HD2P-600		5800	4480	2260	2760	1020	3360	4020	1800	3100	1500	3060	1500	1370	800
HD2P-800		6600	5300	2400	2880	1100	4800	5000	2100	3400	1500	3200	1500	1600	1000
HD2P-1000		7000	6200	2600	3000	1200		5800	2200	3800	1600	3400	1600	1800	1200
HD2P-1200		8300	6900	2800	3200	1200		6500	2500	4000	1800	3800	1800	1900	1200

滑塊底面尺寸 Slide Bottom Dimension

T型槽尺寸 T-Slot Dimension

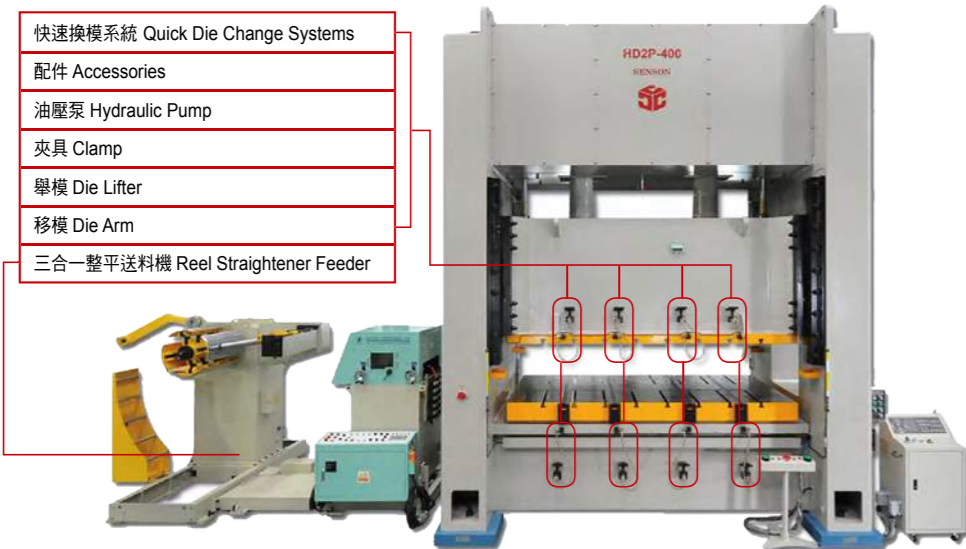


平板尺寸 Bolster Dimension



Model	Size	A	B	C	D	E	F	G	H	I	J	K	L	M
HD2P-200		1900	1000	300	200	-	2100	1100	150	300				
HD2P-300		2600	1100	300	200	-	2800	1200	150	300	900	320		
HD2P-400		2700	1460	300	300	-	2800	1460	150	300	900	500		30
HD2P-600		3060	1500	300	300	-	3100	1500	150	300	1150	550		30
HD2P-800		3200	1500	300	300	-	3400	1500	150	300	1150	550		30
HD2P-1000		3400	1600	300	300	-	3600	1600	150	300	1250	650		30
HD2P-1200		3800	1800	300	300	-	4000	1800	150	300	1450	750		30

實用的選購配件
Optional Accessories



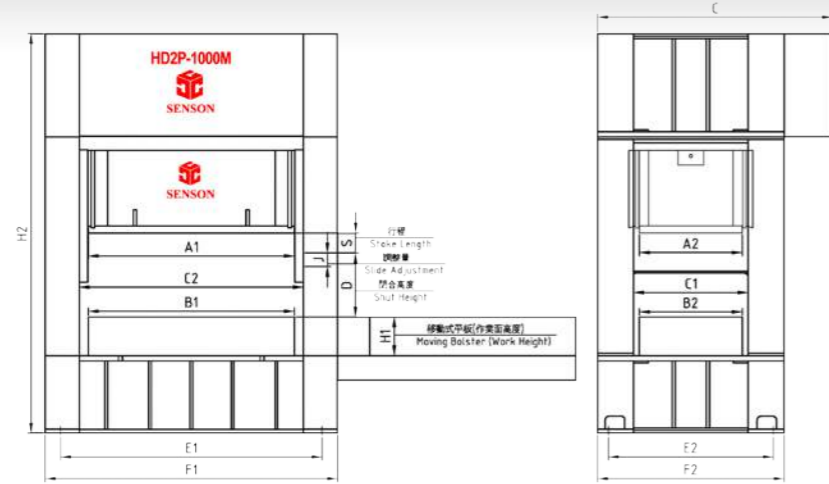
選購配件
Optional Accessories

- ▶ 腳踏開關
Foot switch
- ▶ 氣壓式模墊
Pneumatic die cushion
- ▶ 油壓式模墊
Hydraulic die cushion
- ▶ 空氣送料機
Air feeder
- ▶ 滾輪送料機
Roll feeder
- ▶ 自動材料整平機或材料架
Auto material straighter
- ▶ 快速換模裝置, 如移模臂、抬模器...等
Quick die change system: die lifter, die arm, etc

門型雙軸移動式平板系列 HD2P-400M~1600M H-FRAME DOUBLE CRANK MOVING BOLSTER SERIES

門型雙軸式標準系列 HD2P-200~1200 H-FRAME DOUBLE CRANK STANDARD SERIES

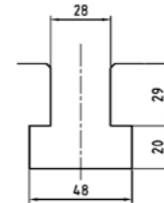
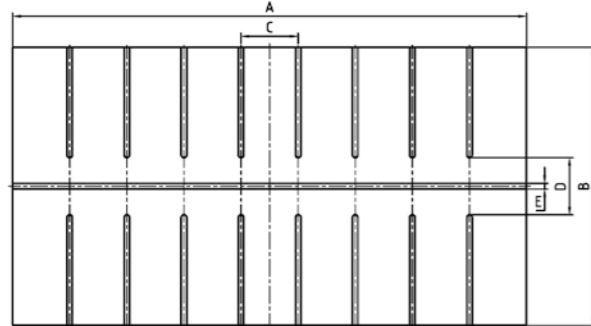
機器外觀尺寸 Major Dimension



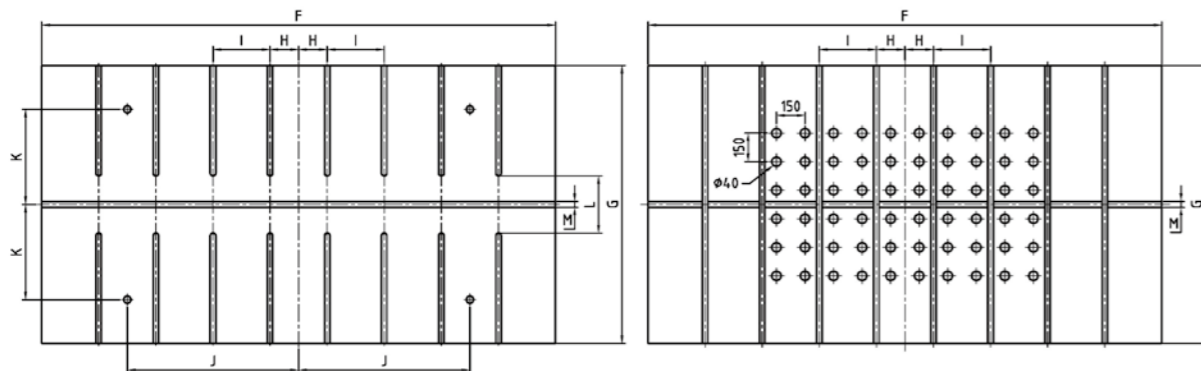
Model	Size	H2	F1	F2	C	C1	C2	E1	E2	B1	B2	A1	A2	H1	D
HD2P-400M		6140	4540	2900	3360	1780	3480	4060	2560	3200	1600	3200	1600	600	900
HD2P-600M		6750	5140	3100	3520	1780	3880	4560	2700	3600	1600	3600	1600	600	1000
HD2P-800M		7820	6160	3380	3680	1980	4800	5500	1980	4500	1800	4500	1800	600	1200
HD2P-1000M		8200	6260	3460	3820	2080	4960	5600	2180	4600	1800	4600	1800	660	1200
HD2P-1600M		9000	6880	3600	4500	2880	5600	6600	3000	5200	2600	5200	2600	660	1200

滑塊底面尺寸 Slide Bottom Dimension

T型槽尺寸 T-Slot Dimension



平板尺寸 Bolster Dimension



Model	Size	A	B	C	D	E	F	G	H	I	J	K	L	M
HD2P-400M		3200	1600	300	300	-	3200	1600	150	300	-	-	-	30
HD2P-600M		3600	1600	300	300	-	3600	1600	150	300	-	-	-	30
HD2P-800M		4500	1800	300	300	-	4500	1800	150	300	-	-	-	30
HD2P-1000M		4600	1800	300	300	-	4600	1800	150	300	-	-	-	30
HD2P-1600M		5200	2600	300	300	-	5200	2600	150	300	-	-	-	30

規格表 SPECIFICATION

型號 Model Number	HD2P-200	HD2P-300	HD2P-400	HD2P-600	HD2P-800	HD2P-1000	HD2P-1200
沖壓能力(噸) Capacity (tons)	200	300	400	600	800	1000	1200
行程(mm) Slide Stroke Length (mm)	200	260	260	400	400	450	450
每分鐘沖數(Variable Speed) Strokes Per Minute	30-60	20-45	15-35	12-26	10-26	8-20	8-20
能力發生位置 Tonnage Rating Point (mm)	6	6.5	6.5	12	12	12	12
閉合高度(下死點至平板面距離) Shut Height (S.D.A.U.) (mm)	500	700	800	700	1000	1200	1200
滑塊調整量 Slide Adjustment (mm)	150	150	250	300	300	300	300
滑塊底面積 Slide Bottom Area (mm)	1900×1000	2600×1100	2700×1460	3060×1500	3200×1500	3400×1600	3800×1800
台盤(平板)面積 Bolster Area (mm)	2100×1100	2800×1200	2800×1460	3100×1500	3400×1500	3800×1600	4000×1800
台盤(平板)厚度 Bolster Thickness (mm)	170	180	200	210	250	250	300
作業面高度 Work Height (mm)	960	1080	1100	1370	1600	1800	1900
機架內側寬度 Frame Inside Width (mm)	2200	2910	3070	3360	4800		
機器尺寸 Overall Size (mm)	2800×1840	3510×1810	3910×2480	4480×2260	5300×2400	6200×2600	6900×2800
機器總高度 Overall Height (mm)	3840	4080	4880	5340	6600	7000	8300
主馬達(變速)【HP(KW)×P】 Main Motor(Variable Speed)	25(19KW)×4	40(30KW)×4	50(37KW)×4	75(56KW)×4	100(75KW)×4	125(90KW)×4	150(110KW)×4
滑塊調整馬達【HP(KW)×P】 Slide Adjust Motor	3(2.2KW)×4	5(3.75KW)×4	5(3.75KW)×4	7.5(5.6KW)×4	10(7.5KW)×4	15(11KW)×4	20(15KW)×4
使用空氣壓力 Air Pressure (kg/cm ²)	5	5	5	5	5	5	5

PS: 規格如變更不另通知, 以實際出廠產品規格為主。大小可客製化。
Based on the main factory production, rights of modification reserved. Size can be customized.

規格表 SPECIFICA

型號 Model Number	HD2P-400M	HD2P-600M	HD2P-800M	HD2P-1000M	HD2P-1600M
沖壓能力 (噸) Capacity (tons)	400	600	800	1000	1600
行程 (mm) Slide Stroke Length (mm)	400	500	600	600	800
每分鐘沖數 (Variable Speed) Strokes Per Minute	15-30	10-22	10-20	10-18	10-17
能力發生位置 Tonnage Rating Point (mm)	13	13	13	13	14
閉合高度(下死點至平板面距離) Shut Height (S.D.A.U.) (mm)	900	1000	1200	1200	1200
滑塊調整量 Slide Adjustment (mm)	250	300	400	400	450
滑塊底面積 Slide Bottom Area (mm)	3200×1600	3600×1600	4500×1800	4600×1800	5200×2600
移動台盤(平板)面積 Moving Bolster Area(mm)	3200×1600	3600×1600	4500×1800	4600×1800	5200×2600
移動台盤(平板)厚度 Moving Bolster Thickness(mm)	600	600	600	660	660
作業面高度 Work Height (mm)	600	600	600	660	660
機架內側寬度 Frame Inside Width (mm)	3480	3880	4800	4960	5600
機器尺寸 Overall Size (mm)	4540×2900	5140×3100	6160×3380	6260×3460	6880×3600
機器總高度 Overall Height (mm)	6140	6750	7820	8200	9000
主馬達(變速)【HP(KW)×P】 Main Motor(Variable Speed)	50(37KW)×4	75(56KW)×4	100(75KW)×4	125(90KW)×4	175(132KW)×4
滑塊調整馬達【HP(KW)×P】 Slide Adjust Motor	5(3.75KW)×4	7.5(5.6KW)×4	10(7.5KW)×4	15(11KW)×4	20(15KW)×4
使用空氣壓力 Air Pressure (kgf/cm ²)	5	5	5	5	5

PS: 規格如變更不另通知，以實際出廠產品規格為主。大小可客製化。
Based on the main factory production, rights of modification reserved. Size can be customized.



◀ 門型直軸200噸高精密沖床(作業面加大)
H-FRAME SINGLE CRANK PRECISION POWER
PRESS-200TONS
(Enlarge Work Area)

門型直軸500噸高精密沖床 ▶
H-FRAME SINGLE CRANK PRECISION POWER
PRESS-500TONS



◀ 門型直軸1000噸高精密沖床
H-FRAME SINGLE CRANK PRECISION POWER
PRESS-1000TONS



客製化沖床
CUSTOMER-MADE PRESSES

專業 Professional 精密 Precision

門型雙軸式600噸高精密沖床 ▶
H-FRAME DOUBLE CRANK PRECISION
POWER PRESS-600TONS



門型雙軸連桿式600噸精密沖床(移動式平板) ▶
H-FRAME DOUBLE CRANK LINK MOTION
POWER PRESS-600TONS(Moving Bolster)



各式客製化沖床，可接受的噸數範圍：
C型直軸式CSP系列：8T ~ 300T
C型雙軸式CDP系列：110T ~ 300T
門型直軸式HS1P系列：120T ~ 1000T
門型雙軸式HD2P系列：200T ~ 1600T
門型雙軸連桿式HL2P系列：200T ~ 1200T

Customized presses are available in tonnage ranges:
C-frame Single Crank CSP Series: 8T ~ 300T
C-frame Double Crank CDP Series: 110T ~ 300T
H-frame Single Crank HS1P Series: 120T ~ 1000T
H-frame Double Crank HD2P Series: 200T ~ 1600T
H-frame Double Crank HL2P Series: 200T ~ 1200T

如需各式客製化沖床，歡迎來電洽詢。 We welcome your enquiries for customized precision power presses.

