

ASHUN

Modular Version Pressure Filters



Jan. 2017

油順精密股份有限公司
ASHUN FLUID POWER CO., LTD.

www.ashun.com

A WORLD-CLASS MANUFACTURER

of Modular Version-High Pressure Filters

油順精密成立於1984年，以液壓動力系統設計為企業基礎，多年來致力研發、生產各式油壓、氣壓產品與客製化產品，產品包含：油壓缸、氣壓缸、油壓閥、蓄壓器、油壓動力系統等。

油順精密為客戶在流體傳動產業的第一選擇且透過高性能的解決方式創造價值，以誠信正直、專注創新與責任為宗旨，作為流體傳動產業中，長期且值得信賴的技術及產能提供者。

油順精密致力於培育人才進修，不斷研究開發新產品，更為提升品質穩定性與生產技術，陸續引進德日自動化設備，提升良好的生產管理與品質管制程序，產品品質更加完美。

油順精密產品成功外銷遍及全球，更獲得歐、美、日等工業大國品質認可。展望未來，油順精密將更積極研發新產品，期望邁向國際化，根留台灣，永續經營。

ASHUN was established in 1984. ASHUN is based on fluid power systems, makes efforts to research, develop and manufacture various hydraulic, pneumatic products and customized products. ASHUN products include hydraulic cylinders, pneumatic cylinders, hydraulic valves, accumulators, hydraulic power systems, etc.

ASHUN shall be the customers' first choice in the fluid power industry, creating value through high-performance solutions. The core values are integrity, customer focus, innovation and responsibility. Our mission is to be the trusted technology and capacity provider of the fluid power industry for years to come.

ASHUN exerts to train excellent talent, research and develop new products constantly, in order to promote the stability of quality and manufacturing technology, ASHUN has been replenishing automation equipment from Germany and Japan, improved the good manufacturing management and quality control procedures, the quality of products will be more perfect.

ASHUN products are exported worldwide successfully, and access to quality recognition from industrial countries, such as Europe, USA and Japan. Prospect of the future, ASHUN will be more positive to research and develop new products, look forward to moving toward internationalization, the root keeps Taiwan and permanent management.

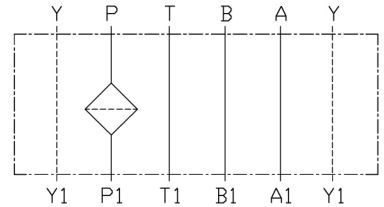
MFP-01 High Pressure Filters

高壓過濾器

Modular Version
Max. Pressure 320 bar

疊加式

最高工作壓力 320 bar



OPERATING PRINCIPLE / 工作原理

- The MFP filters are designed for the modular mounting directly under proportional valves or servo valves with ISO 4401-AB-03-4-A interfaces.
- MFP filters are designed for working pressure up to 320 bar. The filter elements are made of high efficiency filtering materials and are available with three different filtration degrees and with a collapsing differential pressure= 210 bar.

05 = 5 μm

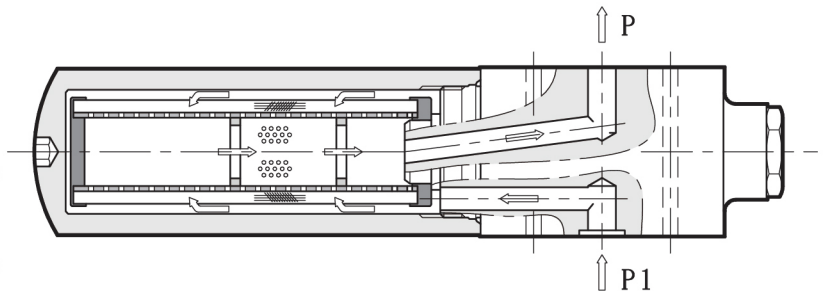
($\beta_{5 > 100}$ -ISO 4406:1999 class 17/15/12)

10 = 10 μm

($\beta_{10 > 100}$ -ISO 4406:1999 class 18/16/13)

25 = 25 μm

($\beta_{25 > 100}$ -ISO 4406:1999 class 19/17/14)



- MFP型過濾器是一種疊加式過濾器，可直接安裝在安裝面符合 ISO 4401-AB-03-4-A 標準的比例閥或伺服閥下。
- MFP型過濾器工作壓力可達 320 bar，其濾心由高效過濾材料製成，濾心破壞壓差為 210 bar，可提供三種不同的過濾精度：

05 = 5 μm

($\beta_{5 > 100}$ -ISO 4406:1999 等級 17/15/12)

10 = 10 μm

($\beta_{10 > 100}$ -ISO 4406:1999 等級 18/16/13)

25 = 25 μm

($\beta_{25 > 100}$ -ISO 4406:1999 等級 19/17/14)

PERFORMANCES / 技術參數

Filter Code 過濾器型號	Dimension 尺寸 (mm)	Weight 重量 (kg)
MFP-01	84 x 48 x 320	3.2

- Max. Operating Pressure (最大工作壓力) : 320 bar
- Collapsing Differential Pressure of The Filter Elements (濾心破壞壓差) : 210 bar
- Ambient Temperature Range (環境溫度範圍) : -25 / +50 °C
- Fluid Temperature Range (油液溫度範圍) : -25 / +110 °C
- Fluid Viscosity Rang (油液黏度範圍) : 10 / 400 cSt



IDENTIFICATION CODE / 規格型號

M F P - 01 - A - 05

Modular Version (疊加式)

High Pressure Filter (高壓過濾器)

1/4" Valve (1/4"閥)

Filter Material (濾網材質)

A = Glass Fiber (玻璃纖維)

M = Stainless (白鐵網)

Filtration Degree (過濾精度)

05 = 5 μm

($\beta_5 > 100$ -ISO 4406:1999 class 17/15/12)

10 = 10 μm

($\beta_{10} > 100$ -ISO 4406:1999 class 18/16/13)

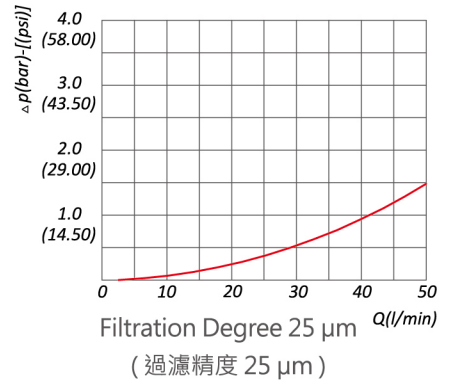
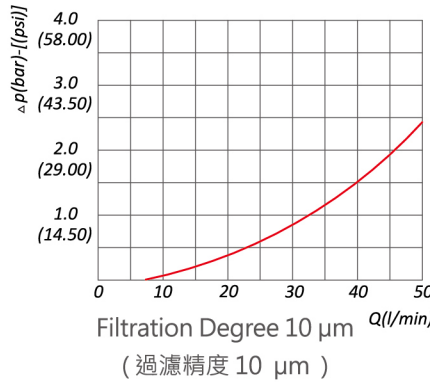
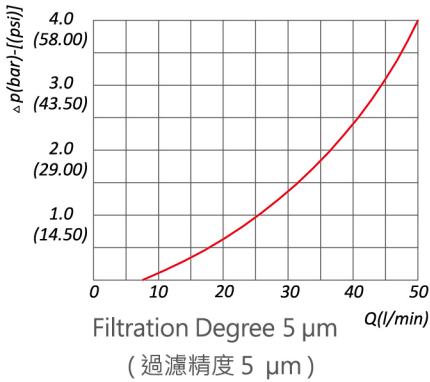
25 = 25 μm

($\beta_{25} > 100$ -ISO 4406:1999 class 19/17/14)

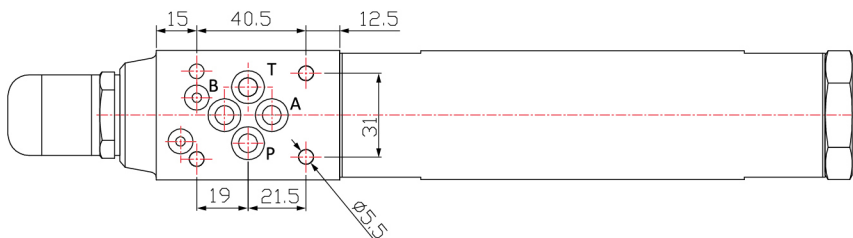
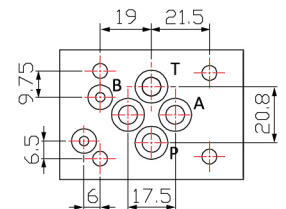
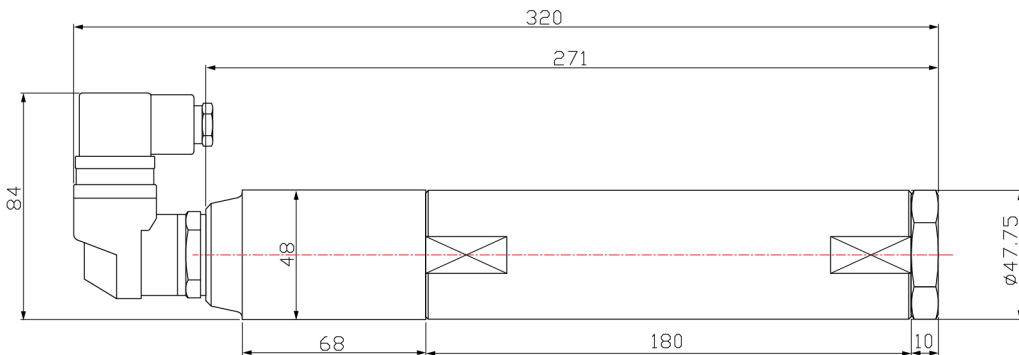
※ **NOTE** : M Type (Stainless) without Filtration Degree 5 μm (白鐵網無過濾精度 5 μm)

CHARACTERISTIC CURVES / 特性曲線

Pressure Drops through MFP Filter Body (通過MFP型過濾器的壓差曲線)



OVERALL AND MOUNTING DIMENSIONS / 外型及安裝尺寸



1 Clogging Indicator (壓差指示器接口)

Port : 1/2 PF

2 Mounting Surface with Sealing Rings (安裝用油封)

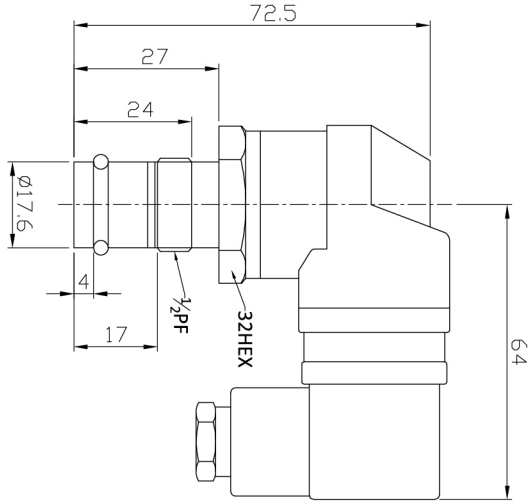
2pcs AP-32 (31.7 x 3.5)

2pcs AP-36 (35.7 x 3.5)

2pcs TP-32 (32 x 38 x 1.25)

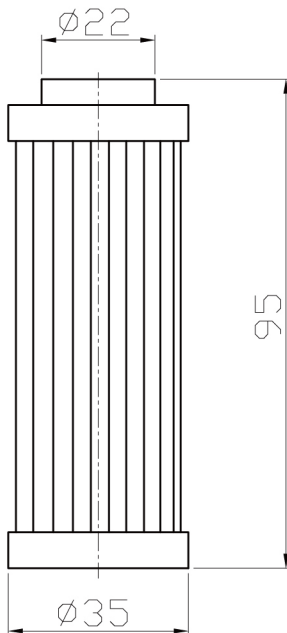
CLOGGING INDICATORS / 阻塞指示器

Electronic Clogging Indicators for Modular Filters (疊加式過濾器 - 電子式阻塞指示器)



- React to Pressure Differential (工作壓差) : **5 bar**
- AC power Supply (交流電源)
Max. Operating Voltage (最大工作電壓) : **AC 250V**
Max. Load on the Contacts / 電器觸點最大負荷 : **3A**
- DC Power Supply (直流電源)
Max. Operating Voltage (最大工作電壓) : **DC 30V**
Max. Load on the Contacts (電器觸點最大負荷) : **0.5A**

FILTER ELEMENTS / 濾芯



Filter Material 濾網材質	Filtration Degree 過濾精度 (μm)
A : Glass Fiber (玻璃纖維)	5
	10
	25
M : Stainless (白鐵網)	10
	25

ASHUN

ASHUN FLUID POWER CO., LTD.

No. 18, Jingke S. Rd., Nantun Dist., Taichung City 40852, Taiwan

TEL: +886-4-23505599

FAX: +886-4-23505511

E-mail: info@ashun.com



www.ashun.com