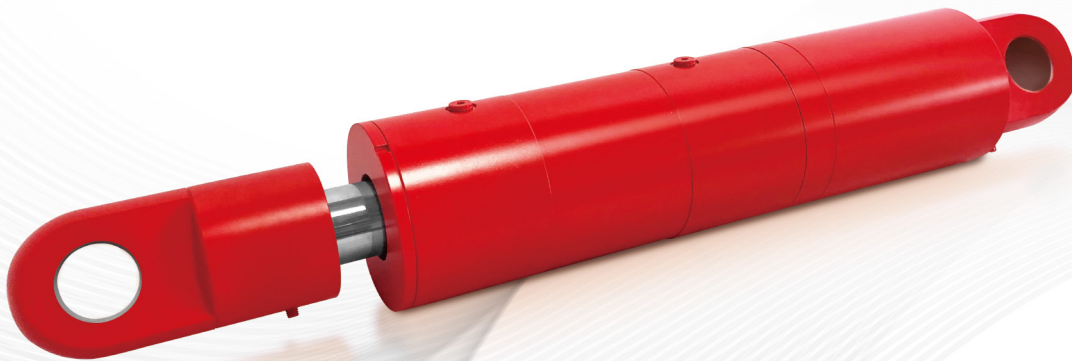


ASHUN

Dampers 阻尼器 |



台灣精品 2019
TAIWAN EXCELLENCE



July, 2019

油順精密股份有限公司
ASHUN FLUID POWER CO., LTD.

www.ashun.com

在二十世紀，特別是近二、三十年來人們對提高建築物的抗震動能力做了巨大的努力且已取得顯著的成果，其中最引以為傲的是「結構的保護系統」。人們跳脫傳統增強樑、柱、牆來提高抗震動能力的觀念，結合結構的動力性能，巧妙的避免或減少了地震及風力的破壞。黏滯型阻尼器是屬於制震設備的一環，在建築中不僅能減緩地震波所造成的震幅，也可以使結構中的金屬較不易因疲勞現象而迅速斷裂，並可以在建築倒下時減緩其速度，利於逃生與救援，更是具備無需破壞建築物結構即可安裝的特性。

In the 20th century, especially in the past two or three decades, people have made great efforts to improve the anti-vibration capability of buildings and achieved remarkable results. One of them is "structural protection system". People combine the performance of the structure instead of increasing beams, columns and walls to improve their ability to resist vibration, which ingeniously avoid or reduce the damage of earthquakes and wind. The viscous dampers belong to a part of the vibration control equipment. The dampers in buildings not only slow down the vibration caused by the earthquakes, but also make the metal in the structure not easily fatigued and quickly broken. They can slow down the rate of the collapsing buildings, which is good for escaping and rescuing. In addition, the viscous dampers are equipped with the features that can be installed easily without destroying the structure of the buildings.

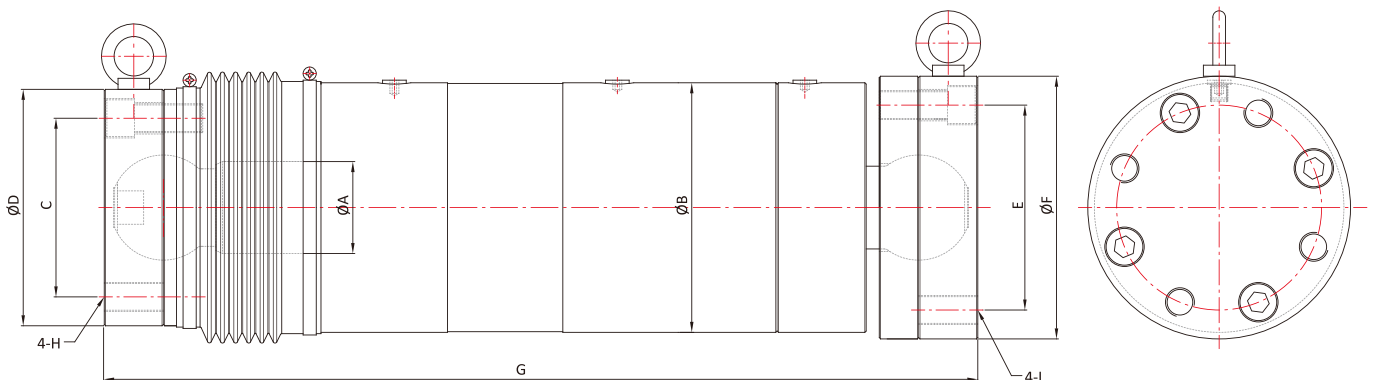
- ◆ 阻尼特性不受溫度影響。
- ◆ 從微小變位到大變位時，阻尼特性安定。
- ◆ 反覆作動性能安定。
- ◆ 大地震過後可以再使用。
- ◆ 產品可以客製化。
- ◆ 阻尼力可變控制。
- ◆ Not affected by temperatures.
- ◆ Stable from a tiny change position to a large change position.
- ◆ Stable performance under repeated action.
- ◆ Reusable after big earthquakes.
- ◆ Customized.
- ◆ Variable control of damping force.

標準型阻尼器規格 Specification of Standard Dampers

阻尼器 Damper	型號 Model	特性 Feature	阻尼力 Damping Force (KN)	外徑 OD (φB)	行程 Stroke (± mm)	聯結方式 Connect
DP	S (標準型) Standard Type A (自動補油型) Auto-oil Filling	S (非線性) Non-linearity	300	152	50	FA : 法蘭式 Flange Type MI : 固定插銷式 Fixed Pin Type PH : 關節軸承式 Radial Spherical Plain Bearing Type
			400			
			500			
			600	178		
			700	190		
			900	216		

法蘭式 (FA)

Flange Type

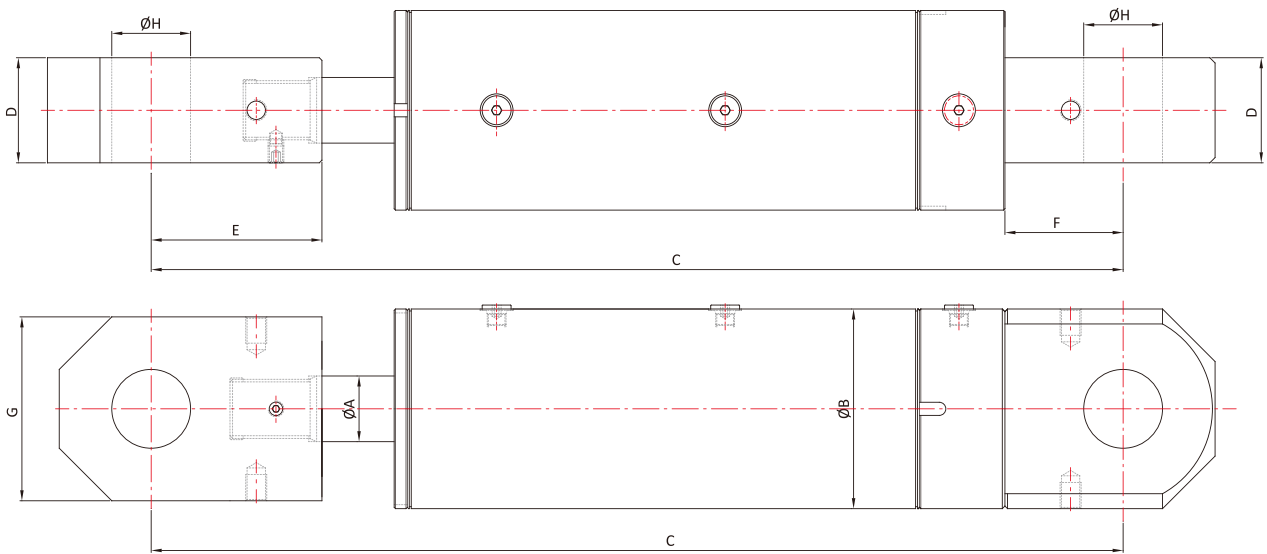


尺寸 Dimension

最大阻尼力 Max. Damping Force (KN)	行程 Stroke (mm)	ϕA (mm)	ϕB (mm)	C (mm)	ϕD (mm)	E (mm)	ϕF (mm)	G (mm)	H	I
300	± 50	∅ 50	∅ 152	110	∅ 150	120	∅ 160	680	M16 x 2.0	M16 x 2.0
400	± 50	∅ 50	∅ 152	110	∅ 150	120	∅ 160	690	M16 x 2.0	M16 x 2.0
500	± 50	∅ 50	∅ 152	110	∅ 150	120	∅ 160	705	M16 x 2.0	M16 x 2.0
600	± 50	∅ 70	∅ 178	126	∅ 170	146	∅ 190	755	M20 x 2.5	M20 x 2.5
700	± 50	∅ 70	∅ 190	136	∅ 180	156	∅ 200	755	M22 x 2.5	M22 x 2.5
900	± 50	∅ 80	∅ 216	156	∅ 210	166	∅ 230	820	M24 x 3.0	M24 x 3.0

固定插銷式 (MI)

Fixed Pin Type

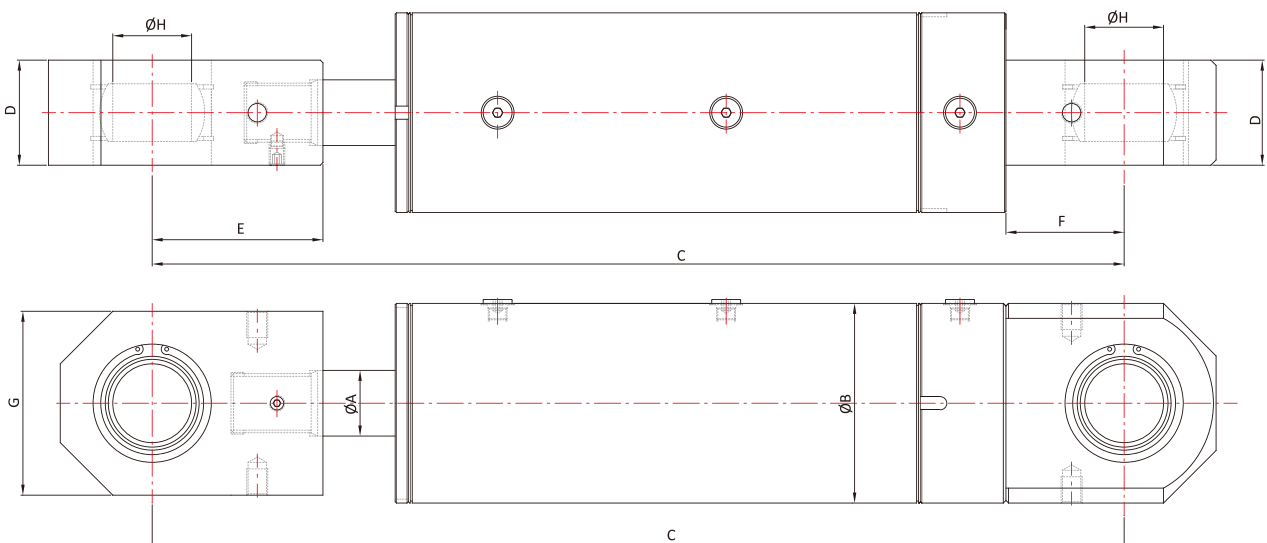


尺寸 Dimension

最大阻尼力 Max. Damping Force (kN)	行程 Stroke (mm)	Ø A (mm)	Ø B (mm)	C (mm)	D (mm)	E (mm)	F (mm)	G (mm)	Ø H (mm)
300	± 50	Ø 50	Ø 152	740	80	130	90	140	Ø 60
400	± 50	Ø 50	Ø 152	750	80	130	90	140	Ø 60
500	± 50	Ø 50	Ø 152	765	80	130	90	140	Ø 60
600	± 50	Ø 70	Ø 178	780	100	130	90	165	Ø 60
700	± 50	Ø 70	Ø 190	780	100	130	90	165	Ø 60
900	± 50	Ø 80	Ø 216	865	120	160	110	190	Ø 70

關節軸承式 (PH)

Radial Spherical Plain Bearing Type



尺寸 Dimension

最大阻尼力 Max. Damping Force (kN)	行程 Stroke (mm)	Ø A (mm)	Ø B (mm)	C (mm)	D (mm)	E (mm)	F (mm)	G (mm)	Ø H (mm)
300	± 50	Ø 50	Ø 152	740	80	130	90	140	Ø 60
400	± 50	Ø 50	Ø 152	750	80	130	90	140	Ø 60
500	± 50	Ø 50	Ø 152	765	80	130	90	140	Ø 60
600	± 50	Ø 70	Ø 178	780	100	130	90	165	Ø 60
700	± 50	Ø 70	Ø 190	780	100	130	90	165	Ø 60
900	± 50	Ø 80	Ø 216	865	120	160	110	190	Ø 70

ASHUN

ASHUN FLUID POWER CO., LTD.

40852台中市南屯區精科南路18號

No. 18, Jingke S. Rd., Nantun Dist., Taichung City 40852, Taiwan

TEL: +886-4-23505599

FAX: +886-4-23505511

E-mail: info@ashun.com



www.ashun.com