



Gamela

Enterprise Co., Ltd.



AUTO AIR CONDITIONING PARTS

CONDENSER

CONDENSER



[AUDI](#) / [BENZ](#) / [BMW](#) / [BUICK](#) / [CHEYSLER](#) / [DAEWOO](#) /

[FORD](#) / [GM](#) / [GMC](#) / [HONDA](#) / [HYUNDAI](#) / [LEXUS](#) /

[MAZDA](#) / [MITSUBISHI](#) / [NISSAN](#) / [SUBARU](#) / [TOYOTA](#) /

[VOLVO](#) / [VW](#) / [OTHER](#)

GAMELA ENTERPRISE CO., LTD.

5F., No.657-1, Zhongzheng Rd.,
Xinzhuan Dist., New Taipei City 242, Taiwan

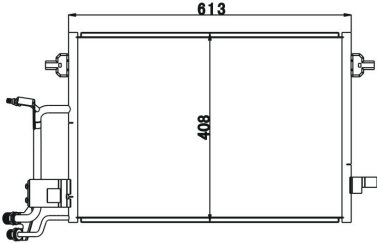
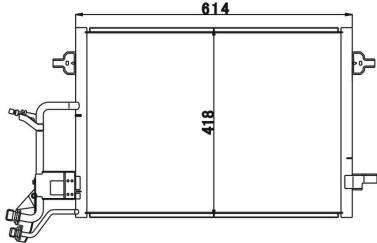
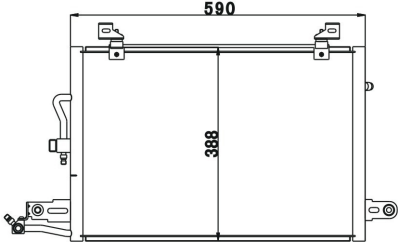
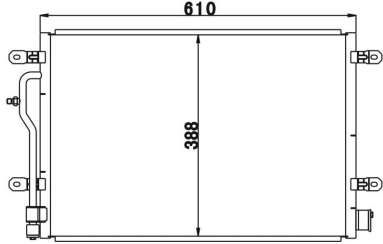
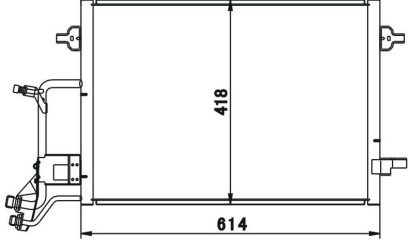
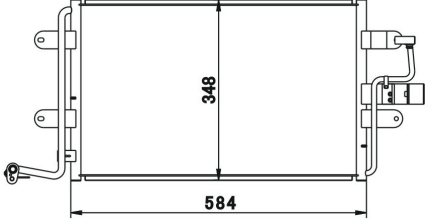
TEL: 886-2-29013211 FAX: 886-2-29042386

E-mail : gamela@ms2.hinet.net

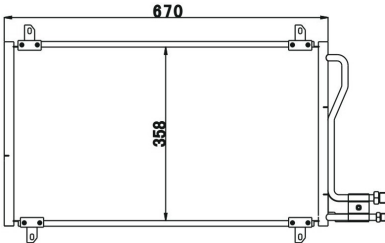
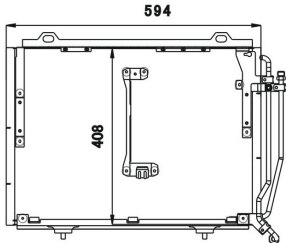
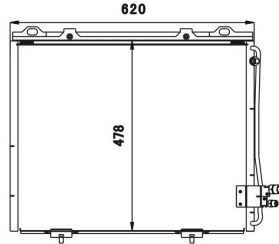
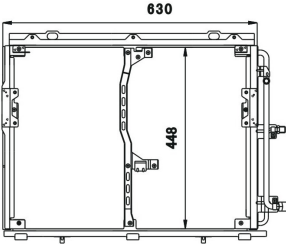
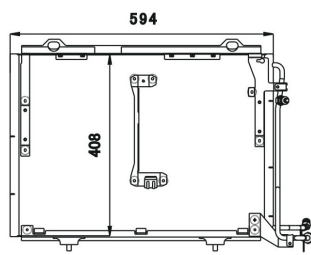
Website: <http://www.gamela.com.tw>

Copyright 2013 Gamela Enterprise Co., Ltd.

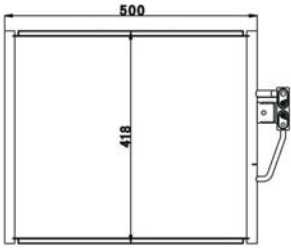
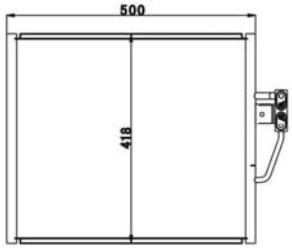
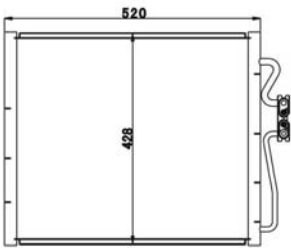
AUDI

6392001 Condenser		6392002 Condenser	
CARTYPE: AUDI A4/S4 '94- CARTYPE: AUDI A6/S6 '97- CORE SIZE: 613x408x16 OEM: 8D0.260.403H/4B0.260.403T DPI: TANK SIZE (L): $\Phi 20 \times 411$ TANK SIZE (R): $\Phi 20 \times 411$ CARTON:		CARTYPE: AUDI A4/S4 '94- CORE SIZE: 614x418x20 OEM: 8D0.260.403H DPI: TANK SIZE (L): $\Phi 25 \times 420$ TANK SIZE (R): $\Phi 25 \times 420$ CARTON:	
6392003 Condenser		6392004 Condenser	
CARTYPE: AUDI A6/S6 CORE SIZE: 590x388x20 OEM: DPI: TANK SIZE (L): $\Phi 25 \times 388$ TANK SIZE (R): $\Phi 25 \times 388$ CARTON:		CARTYPE: AUDI A4/S4 '00- CORE SIZE: 610x388x16 OEM: 8E0.260.403D DPI: TANK SIZE (L): $\Phi 20 \times 396$ TANK SIZE (R): $\Phi 20 \times 396$ CARTON:	
6393001 Condenser		6393003 Condenser	
CARTYPE: VW PASSAT B5 CARTYPE: AUDI A4/S4 '94- CORE SIZE: 614x418x20 OEM: 8D0.260.403E/8D0.260.403H DPI: TANK SIZE (L): $\Phi 25 \times 420$ TANK SIZE (R): $\Phi 25 \times 420$ CARTON:		CARTYPE: VW BORA (16) CARTYPE: AUDI A3/S3 '96- CORE SIZE: 584x348x16 OEM: 1J0.820.413L/1J0.820.413A/N DPI: TANK SIZE (L): $\Phi 20 \times 358$ TANK SIZE (R): $\Phi 20 \times 358$ CARTON:	

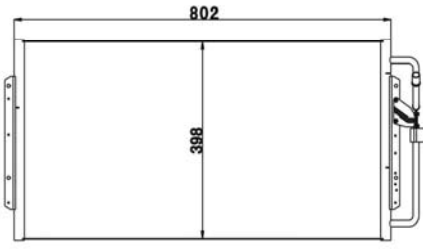
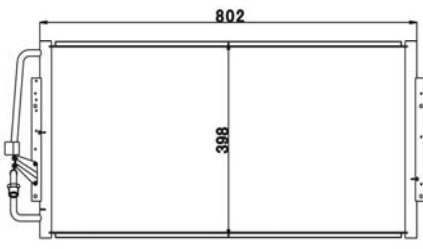
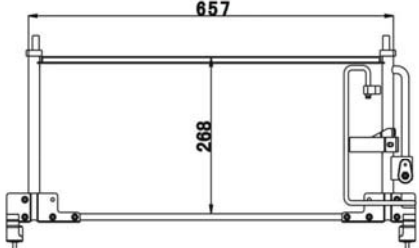
BENZ

<p>6387001 Condenser</p>		<p>6387002 Condenser</p>	
<p>CARTYPE: BENZ SPRINTER '95-03 CORE SIZE: 670x358x16 OEM: 5104114AA DPI: TANK SIZE (L): Φ20x380 TANK SIZE (R): Φ20x380 CARTON:</p>		<p>CARTYPE: BENZ C-CLASS W202 '93- CARTYPE: BENZ CLK-CLASS W208 '97- CORE SIZE: 594x408x16 OEM: 202 830 0770 DPI: TANK SIZE (L): Φ20x412 TANK SIZE (R): Φ20x412 CARTON:</p>	
<p>6387003 Condenser</p>		<p>6387004 Condenser</p>	
<p>CARTYPE: BENZ E-CLASS W210 '95- CORE SIZE: 620x478x16 OEM: 2108300270 DPI: TANK SIZE (L): Φ20x482 TANK SIZE (R): Φ20x482 CARTON:</p>		<p>CARTYPE: BENZ S-CLASS W140 '91- CORE SIZE: 630x448x16 OEM: 1408300070 DPI: TANK SIZE (L): Φ20x452 TANK SIZE (R): Φ20x452 CARTON:</p>	
<p>6387005 Condenser</p>			
<p>CARTYPE: BENZ C-CLASS W202/C180/C200 '93- CORE SIZE: 594x408x16 OEM: 2028300870 DPI: TANK SIZE (L): Φ20x412 TANK SIZE (R): Φ20x412 CARTON:</p>			

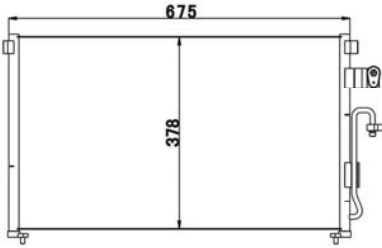
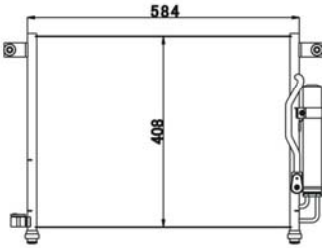
BMW

6388001 Condenser		6388002 Condenser	
CARTYPE: BMW 5E39/520i '95- (R12) CORE SIZE: 500x418x16 OEM: 64538391647 DPI: TANK SIZE (L): Φ20x420 TANK SIZE (R): Φ20x420 CARTON:		CARTYPE: BMW 5E39/520i '95- (R134a) CORE SIZE: 500x418x16 OEM: 64538378438 DPI: TANK SIZE (L): Φ20x420 TANK SIZE (R): Φ20x420 CARTON:	
6388003 Condenser			
CARTYPE: BMW 7E38/730i/740i/750i '94- CORE SIZE: 520x428x16 OEM: 64538373924 DPI: TANK SIZE (L): Φ20x434 TANK SIZE (R): Φ20x434 CARTON:			


BUICK

6394001 Condenser		6394002 Condenser	
CARTYPE: GMC BUICK LACROSSE CORE SIZE: 802x398x18 OEM: DPI: TANK SIZE (L): Φ22x406 TANK SIZE (R): Φ22x406 CARTON:		CARTYPE: GMC BUICK REGAL CORE SIZE: 802x398x18 OEM: DPI: TANK SIZE (L): Φ22x406 TANK SIZE (R): Φ22x406 CARTON:	
6394004 Condenser			
CARTYPE: GMC BUICK SAIL '03- CORE SIZE: 657x268x16 OEM: DPI: TANK SIZE (L): Φ20x283 TANK SIZE (R): Φ20x283 CARTON:			

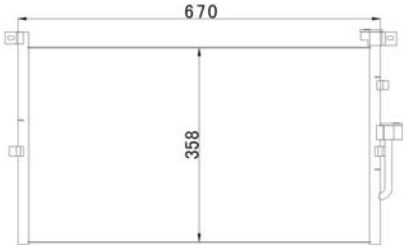
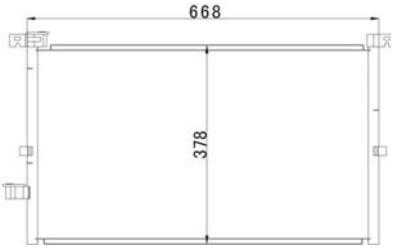
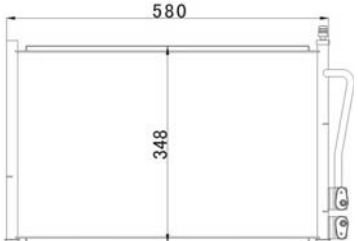
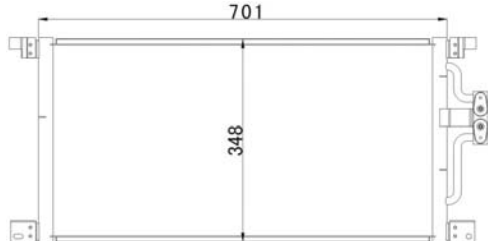
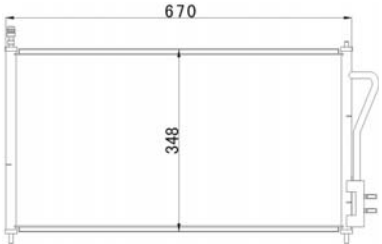
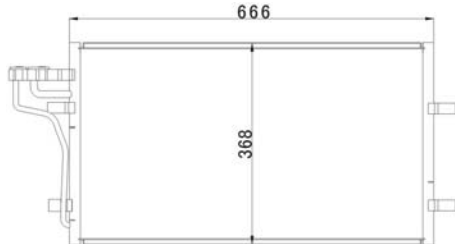
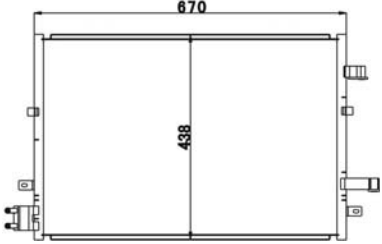
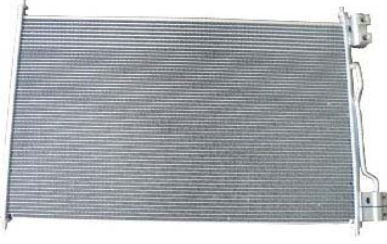
DAEWOO

6394005 Condenser		6394006 Condenser	
CARTYPE: (GMC) CHEVROLET EVANDA '02- CARTYPE: (GMC) DAEWOO MAGNUS '02- CORE SIZE: 675x378x16 OEM: 96327357 DPI: TANK SIZE (L): Φ20x401 TANK SIZE (R): Φ20x401 CARTON:		CARTYPE: (GMC) CHEVROLET AVEO '05- CARTYPE: (GMC) DAEWOO KALOS '02- CORE SIZE: 584x408x16 OEM: 96469289 DPI: TANK SIZE (L): Φ20x428 TANK SIZE (R): Φ20x428 CARTON:	

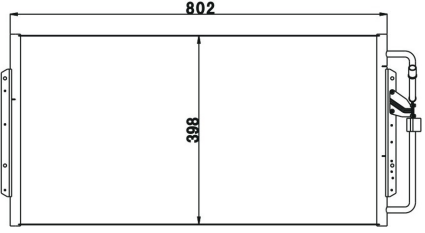
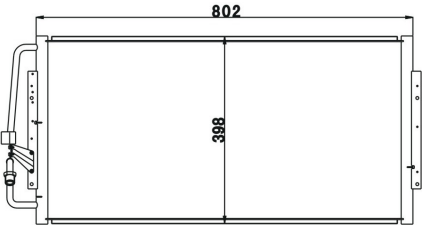
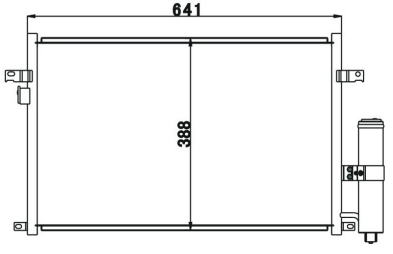
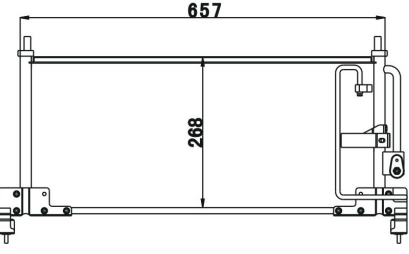
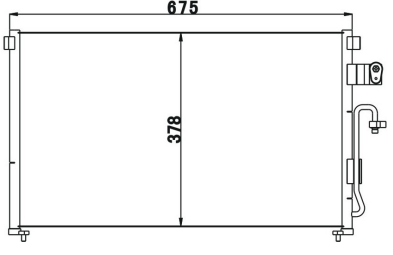
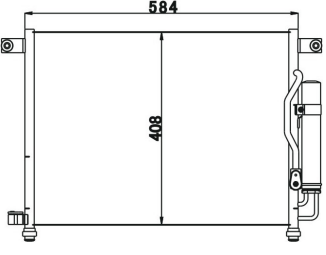
CHRYSLER

633237 Hybrid Condenser			
CARTYPE: Chrysler 300 05-10 CORE SIZE: OEM: DPI: TANK SIZE (L): TANK SIZE (R): CARTON:			

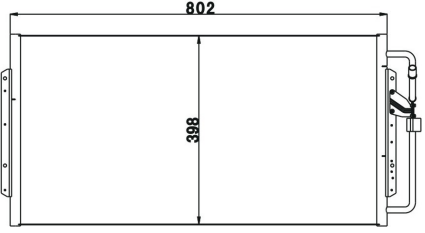
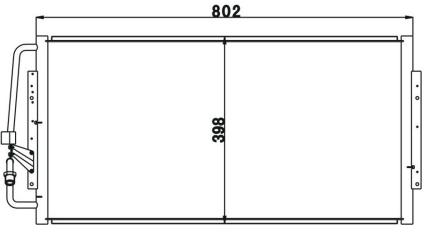
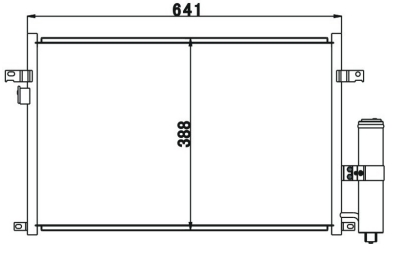
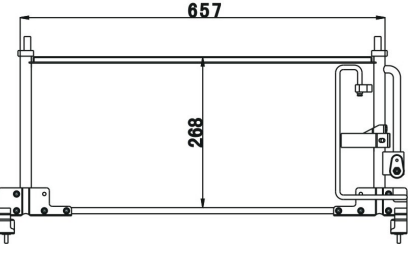
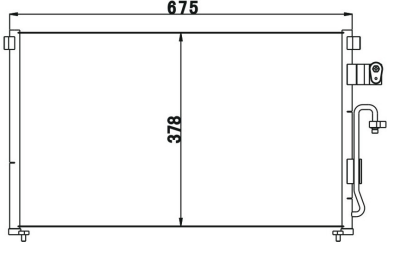
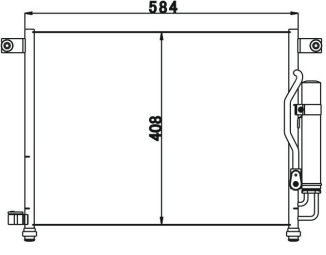
FORD

<p>6391001 Condenser</p>		<p>6391002 Condenser</p>	
<p>CARTYPE: FORD MONDEO 1.8i/2.0i '00- CORE SIZE: 670x358x16 OEM: 1116809 DPI: TANK SIZE (L): Φ20x393 TANK SIZE (R): Φ20x393 CARTON:</p>		<p>CARTYPE: FORD MONDEO 1.8i/2.0i '00- CORE SIZE: 668x378x16 OEM: 1232915 DPI: TANK SIZE (L): Φ20x380 TANK SIZE (R): Φ20x380 CARTON:</p>	
<p>6391003 Condenser</p>		<p>6391004 Condenser</p>	
<p>CARTYPE: FORD FIESTA '01- CORE SIZE: 580x348x16 OEM: 13848591 DPI: TANK SIZE (L): Φ20x362 TANK SIZE (R): Φ20x362 CARTON:</p>		<p>CARTYPE: FORD TRANSIT CORE SIZE: 701x348x18 OEM: DPI: TANK SIZE (L): Φ22x354 TANK SIZE (R): Φ22x354 CARTON:</p>	
<p>6391005 Condenser</p>		<p>6391006 Condenser</p>	
<p>CARTYPE: FORD FOCUS 1.4/1.6/1.8/2.0 '98- CORE SIZE: 670x348x16 OEM: 1106888 DPI: TANK SIZE (L): Φ20x360 TANK SIZE (R): Φ20x360 CARTON:</p>		<p>CARTYPE: FORD FOCUS '04- CORE SIZE: 666x368x16 OEM: 1516838 DPI: TANK SIZE (L): Φ20x371 TANK SIZE (R): Φ20x371 CARTON:</p>	
<p>6391007 Condenser</p>		<p>633557 Hybrid Condenser</p>	
<p>CARTYPE: FORD MONDEO 2.0/2.2 TDCi '00- CORE SIZE: 670x438x16 OEM: 1222758 DPI: TANK SIZE (L): Φ20x441 TANK SIZE (R): Φ20x441 CARTON:</p>		<p>CARTYPE: FORD CROWN VICTORIA 06-09 CORE SIZE: OEM: DPI: TANK SIZE (L): TANK SIZE (R): CARTON:</p>	

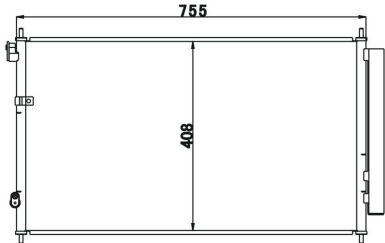
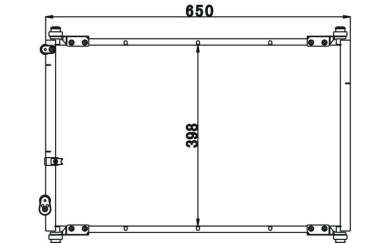
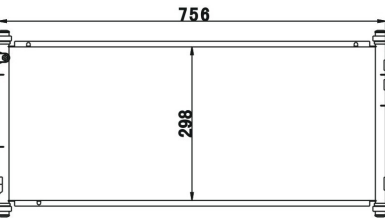
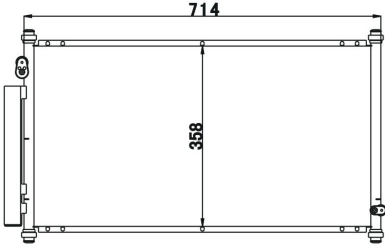
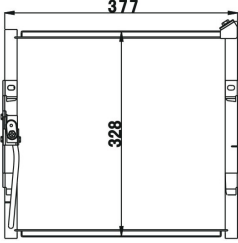
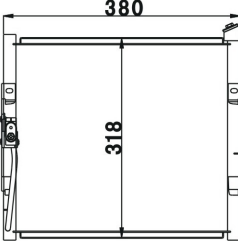
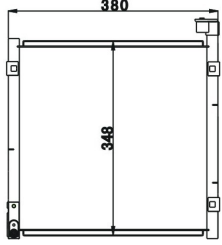
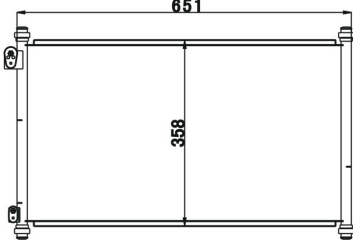
GM

6394001 Condenser		6394002 Condenser	
CARTYPE: GMC BUICK LACROSSE CORE SIZE: 802x398x18 OEM: DPI: TANK SIZE (L): $\Phi 22 \times 406$ TANK SIZE (R): $\Phi 22 \times 406$ CARTON:		CARTYPE: GMC BUICK REGAL CORE SIZE: 802x398x18 OEM: DPI: TANK SIZE (L): $\Phi 22 \times 406$ TANK SIZE (R): $\Phi 22 \times 406$ CARTON:	
6394003 Condenser		6394004 Condenser	
CARTYPE: GMC NUBIRA '03- CARTYPE: GMC LACETTI/EXCELLE '04- CORE SIZE: 641x388x16 OEM: 96484931 DPI: TANK SIZE (L): $\Phi 20 \times 408$ TANK SIZE (R): $\Phi 20 \times 408$ CARTON:		CARTYPE: GMC BUICK SAIL '03- CORE SIZE: 657x268x16 OEM: DPI: TANK SIZE (L): $\Phi 20 \times 283$ TANK SIZE (R): $\Phi 20 \times 283$ CARTON:	
6394005 Condenser		6394006 Condenser	
CARTYPE: (GMC) CHEVROLET EVANDA '02- CARTYPE: (GMC) DAEWOO MAGNUS '02- CORE SIZE: 675x378x16 OEM: 96327357 DPI: TANK SIZE (L): $\Phi 20 \times 401$ TANK SIZE (R): $\Phi 20 \times 401$ CARTON:		CARTYPE: (GMC) CHEVROLET AVEO '05- CARTYPE: (GMC) DAEWOO KALOS '02- CORE SIZE: 584x408x16 OEM: 96469289 DPI: TANK SIZE (L): $\Phi 20 \times 428$ TANK SIZE (R): $\Phi 20 \times 428$ CARTON:	

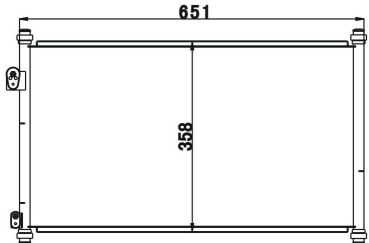
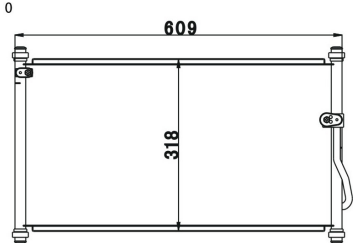
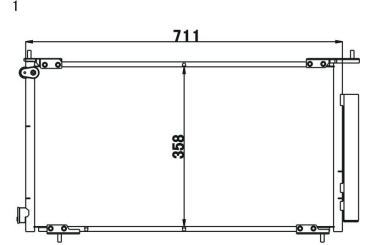
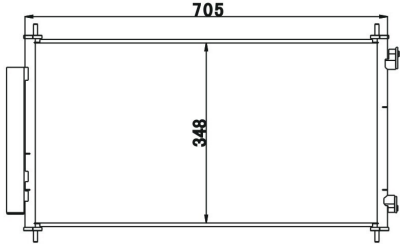
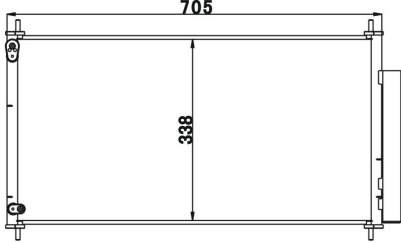
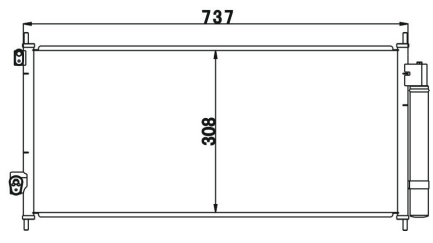
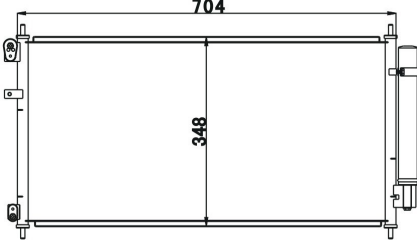
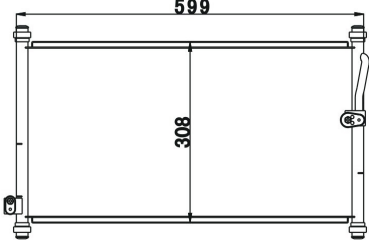
GMC

6394001 Condenser		6394002 Condenser	
CARTYPE: GMC BUICK LACROSSE CORE SIZE: 802x398x18 OEM: DPI: TANK SIZE (L): Φ 22x406 TANK SIZE (R): Φ 22x406 CARTON:		CARTYPE: GMC BUICK REGAL CORE SIZE: 802x398x18 OEM: DPI: TANK SIZE (L): Φ 22x406 TANK SIZE (R): Φ 22x406 CARTON:	
6394003 Condenser		6394004 Condenser	
CARTYPE: GMC NUBIRA '03- CARTYPE: GMC LACETTI/EXCELLE '04- CORE SIZE: 641x388x16 OEM: 96484931 DPI: TANK SIZE (L): Φ 20x408 TANK SIZE (R): Φ 20x408 CARTON:		CARTYPE: GMC BUICK SAIL '03- CORE SIZE: 657x268x16 OEM: DPI: TANK SIZE (L): Φ 20x283 TANK SIZE (R): Φ 20x283 CARTON:	
6394005 Condenser		6394006 Condenser	
CARTYPE: (GMC) CHEVROLET EVANDA '02- CARTYPE: (GMC) DAEWOO MAGNUS '02- CORE SIZE: 675x378x16 OEM: 96327357 DPI: TANK SIZE (L): Φ 20x401 TANK SIZE (R): Φ 20x401 CARTON:		CARTYPE: (GMC) CHEVROLET AVEO '05- CARTYPE: (GMC) DAEWOO KALOS '02- CORE SIZE: 584x408x16 OEM: 96469289 DPI: TANK SIZE (L): Φ 20x428 TANK SIZE (R): Φ 20x428 CARTON:	

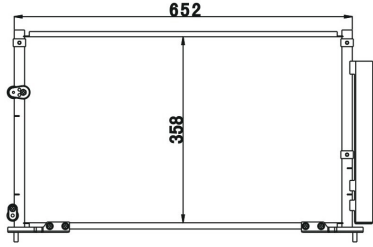
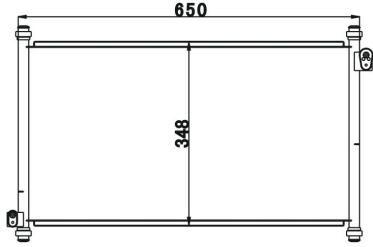
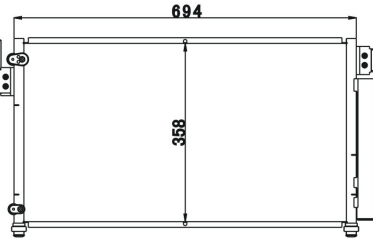
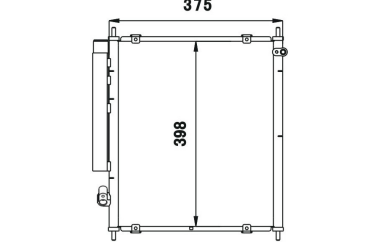
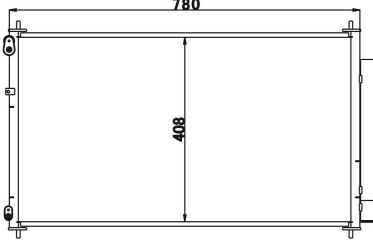
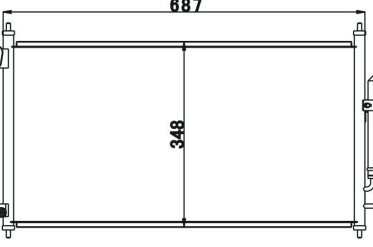
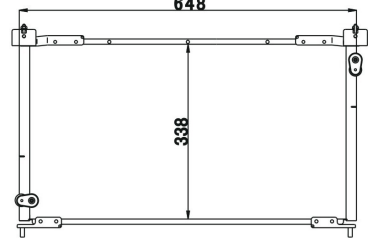
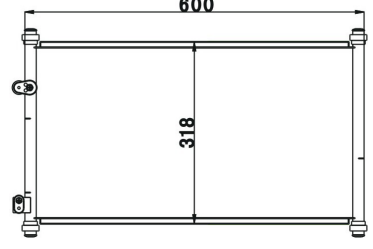
HONDA

6381001 Condenser		6381002 Condenser	
CARTYPE: HONDA ODYSSEY '05 RB1 CORE SIZE: 755x408x16 OEM: 80110-SFJ-W01 DPI: TANK SIZE (L): $\Phi 20 \times 421$ TANK SIZE (R): $\Phi 20 \times 421$ CARTON:		CARTYPE: HONDA ODYSSEY '03 RA6 CORE SIZE: 650x398x18 OEM: 80110-SCC-W01 DPI: TANK SIZE (L): $\Phi 22 \times 420$ TANK SIZE (R): $\Phi 22 \times 420$ CARTON:	
6381003 Condenser		6381004 Condenser	
CARTYPE: HONDA FIT '03 GD1 (Coupe) CORE SIZE: 756x298x16 OEM: 80110-SAA-013 DPI: TANK SIZE (L): $\Phi 20 \times 317$ TANK SIZE (R): $\Phi 20 \times 317$ CARTON:		CARTYPE: HONDA FIT '03 GD6 (Hatchback) CORE SIZE: 714x358x16 OEM: 80110-SEM-M02 DPI: TANK SIZE (L): $\Phi 20 \times 378$ TANK SIZE (R): $\Phi 20 \times 378$ CARTON:	
6381005 Condenser		6381006 Condenser	
CARTYPE: HONDA CIVIC '92 EG8/R12 CORE SIZE: 377x328x16 OEM: 80110-SR1-A13/80110-SR1-A23 DPI: TANK SIZE (L): $\Phi 20 \times 336$ TANK SIZE (R): $\Phi 20 \times 349$ CARTON:		CARTYPE: HONDA CIVIC '92 EG8/R134a CORE SIZE: 380x318x16 OEM: 80110-SR3-023 DPI: TANK SIZE (L): $\Phi 20 \times 329$ TANK SIZE (R): $\Phi 20 \times 341$ CARTON:	
6381007 Condenser		6381008 Condenser	
CARTYPE: HONDA CIVIC '92 EK3 CORE SIZE: 380x348x16 OEM: 80110-S01-A11/80110-S04-K81/80110-S04-003 DPI: TANK SIZE (L): $\Phi 20 \times 360$ TANK SIZE (R): $\Phi 20 \times 371$ CARTON:		CARTYPE: HONDA ACCORD '98-02 CG1/UA4/5 CORE SIZE: 651x358x16 OEM: 80110-SDG-W01 DPI: TANK SIZE (L): $\Phi 20 \times 365$ TANK SIZE (R): $\Phi 20 \times 365$ CARTON:	

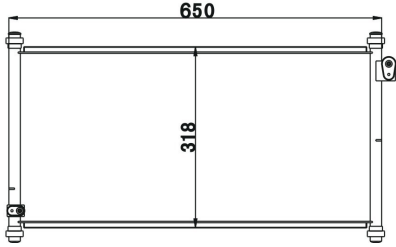
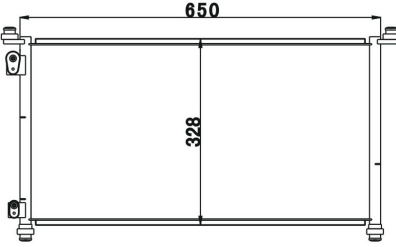
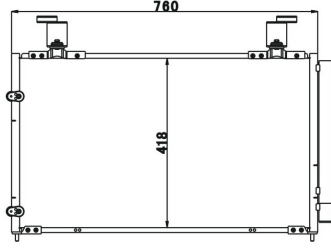
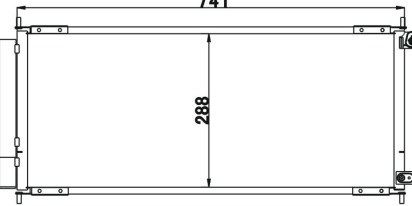
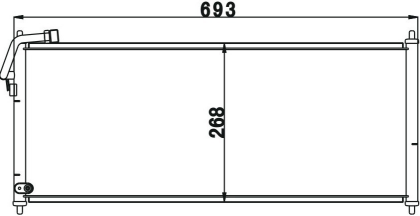
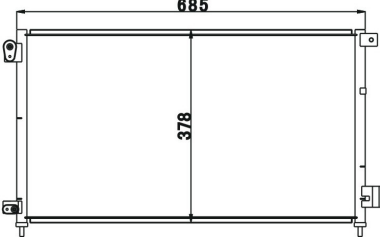
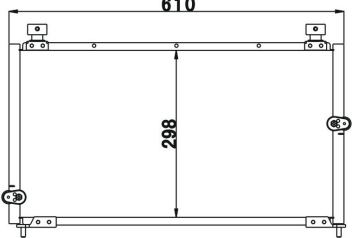
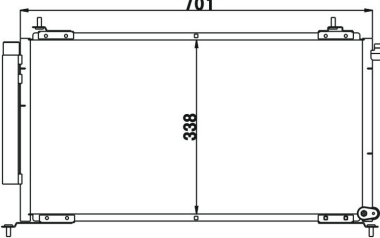
HONDA

6381009 Condenser		6381010 Condenser	
CARTYPE: HONDA CIVIC '2000 ES7/ES8 CORE SIZE: 651x358x16 OEM: 80100-S87-A00/80110-S6D-G01/80110-S87-A10 DPI: TANK SIZE (L): $\Phi 20 \times 360$ TANK SIZE (R): $\Phi 20 \times 360$ CARTON:		CARTYPE: HONDA CRV '97/RD1 CORE SIZE: 609x318x16 OEM: 80110-S10-003/80110-ST7-003/80110-ST7-A21 DPI: TANK SIZE (L): $\Phi 20 \times 320$ TANK SIZE (R): $\Phi 20 \times 320$ CARTON:	
6381011 Condenser		6381012 Condenser	
CARTYPE: HONDA CRV '01- RD5 CORE SIZE: 711x358x16 OEM: 80101-SCA-A01/80110-S9A-003/80110-SPA-W01/80110-S9A-013 DPI: TANK SIZE (L): $\Phi 20 \times 379$ TANK SIZE (R): $\Phi 20 \times 379$ CARTON:		CARTYPE: HONDA CRV '07/RE4 CORE SIZE: 705x348x16 OEM: 80110-SWN-W01 TANK SIZE (L): $\Phi 20 \times 373$ TANK SIZE (R): $\Phi 20 \times 373$ CARTON:	
6381013 Condenser		6381014 Condenser	
CARTYPE: HONDA ACCORD '08 CP1 CORE SIZE: 705x338x16 OEM: 80110-TBD-003 DPI: TANK SIZE (L): $\Phi 200 \times 362$ TANK SIZE (R): $\Phi 20 \times 362$ CARTON:		CARTYPE: HONDA FIT '08- CORE SIZE: 737x308x16 OEM: 19010-TF0-G01 DPI: TANK SIZE (L): $\Phi 20 \times 330$ TANK SIZE (R): $\Phi 20 \times 330$ CARTON:	
6381015 Condenser		6381016 Condenser	
CARTYPE: HONDA CIVIC/CITY '08- CORE SIZE: 704x348x16 OEM: 19010-PM5-H01 DPI: TANK SIZE (L): $\Phi 20 \times 352$ TANK SIZE (R): $\Phi 20 \times 352$ CARTON: 810x85x435		CARTYPE: HONDA ACCORD '94-96 CORE SIZE: 599x308x16 OEM: 80110-SV1-A11/80110-SV1-A21 DPI: TANK SIZE (L): $\Phi 20 \times 320$ TANK SIZE (R): $\Phi 20 \times 320$ CARTON:	

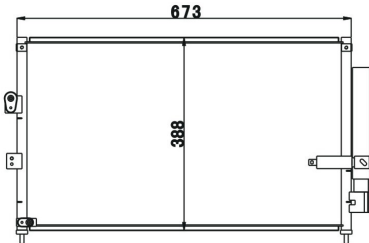
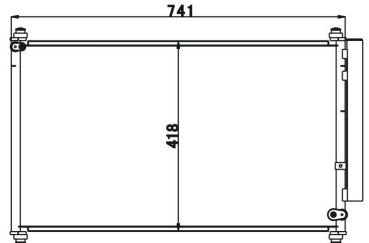
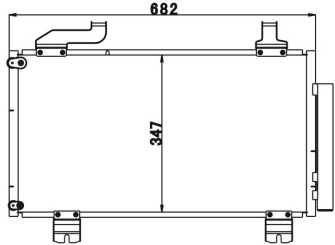
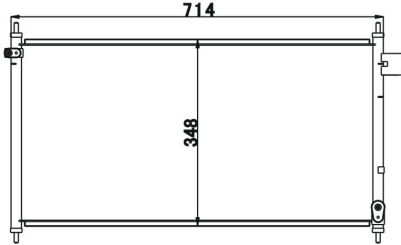
HONDA

6381017 Condenser		6381018 Condenser	
CARTYPE: HONDA CIVIC '06- FA1 CORE SIZE: 652x358x16 OEM: 80110-SNA-A01 DPI: TANK SIZE (L): Φ20x381 TANK SIZE (R): Φ20x381 CARTON:		CARTYPE: HONDA ACCORD CF9/CG5 '98- CORE SIZE: 650x348x16 OEM: 80110-S84-A00 DPI: TANK SIZE (L): Φ20x365 TANK SIZE (R): Φ20x365 CARTON:	
6381019 Condenser		6381020 Condenser	
CARTYPE: HONDA ACCORD 2.4 '03 CM5 CORE SIZE: 694x358x16 OEM: 80100-SDG-W01 DPI: TANK SIZE (L): Φ20x376 TANK SIZE (R): Φ20x376 CARTON:		CARTYPE: HONDA FIT CARTYPE: HONDA JAZZ '02- CORE SIZE: 375x398x16 OEM: 80110-SAA-003 DPI: TANK SIZE (L): Φ20x414 TANK SIZE (R): Φ20x414 CARTON:	
6381021 Condenser		6381022 Condenser	
CARTYPE: HONDA ODYSSEY CORE SIZE: 780x408x16 OEM: DPI: TANK SIZE (L): Φ20x440 TANK SIZE (R): Φ20x440 CARTON:		CARTYPE: HONDA ACURA TL CARTYPE: HONDA ACCORD 2.0i/2.4i'03- CORE SIZE: 687x348x16 OEM: 80110-SEA-003 DPI: TANK SIZE (L): Φ20x371 TANK SIZE (R): Φ20x371 CARTON:	
6381023 Condenser		6381024 Condenser	
CARTYPE: HONDA ACCORD CG5 '98- CORE SIZE: 648x338x16 OEM: 80100-S84-A00 DPI: TANK SIZE (L): Φ20x344 TANK SIZE (R): Φ20x344 CARTON:		CARTYPE: HONDA ACCORD V6 CORE SIZE: 600x318x16 OEM: 80110-SV7-A21 DPI: TANK SIZE (L): Φ20x321 TANK SIZE (R): Φ20x321 CARTON:	

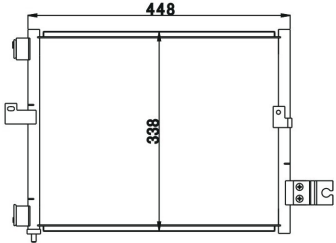
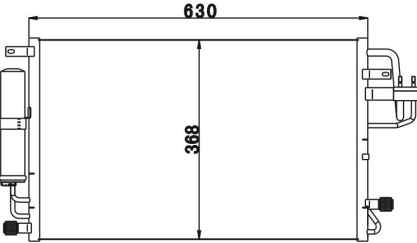
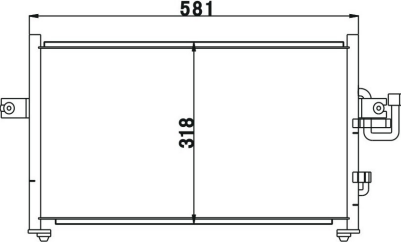
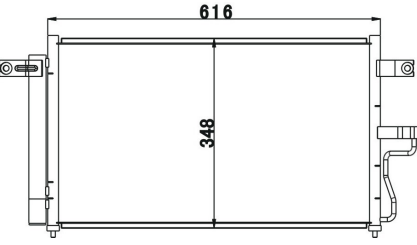
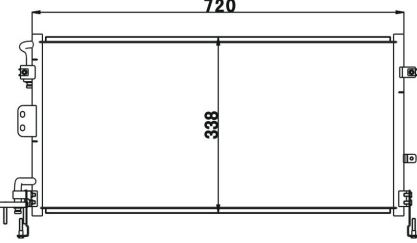
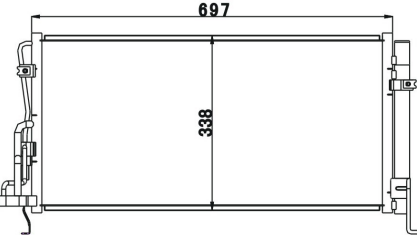
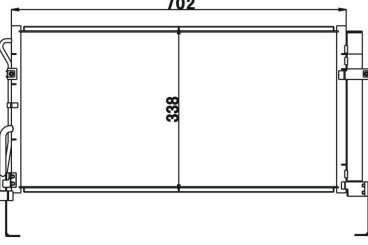
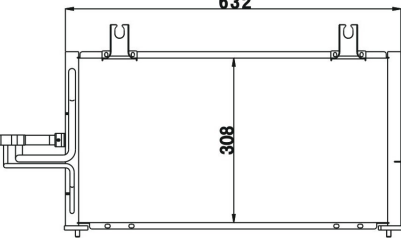
HONDA

<p>6381025 Condenser</p>		<p>6381026 Condenser</p>	
<p>CARTYPE: HONDA S2000 CORE SIZE: 650x318x16 OEM: DPI: TANK SIZE (L): Φ20x331 TANK SIZE (R): Φ20x331 CARTON:</p>		<p>CARTYPE: HONDA CIVIC SI CORE SIZE: 650x328x16 OEM: DPI: TANK SIZE (L): Φ20x343 TANK SIZE (R): Φ20x343 CARTON:</p>	
<p>6381028 Condenser</p>		<p>6381029 Condenser</p>	
<p>CARTYPE: HONDA ODYSSEY CORE SIZE: 760x418x16 OEM: DPI: TANK SIZE (L): Φ20x442 TANK SIZE (R): Φ20x442 CARTON:</p>		<p>CARTYPE: HONDA FIT CORE SIZE: 741x288x16 OEM: DPI: TANK SIZE (L): Φ20x302 TANK SIZE (R): Φ20x30: CARTON:</p>	
<p>6381030 Condenser</p>		<p>6381031 Condenser</p>	
<p>CARTYPE: HONDA CITY CORE SIZE: 693x268x16 OEM: DPI: TANK SIZE (L): Φ20x281 TANK SIZE (R): Φ20x281 CARTON:</p>		<p>CARTYPE: HONDA ACCORD V6 CORE SIZE: 685x378x16 OEM: 80110-SDA-A01 DPI: TANK SIZE (L): Φ20x383 TANK SIZE (R): Φ20x383 CARTON:</p>	
<p>6381032 Condenser</p>		<p>6381033 Condenser</p>	
<p>CARTYPE: HONDA ACCORD CORE SIZE: 610x298x16 OEM: DPI: TANK SIZE (L): Φ20x325 TANK SIZE (R): Φ20x325 CARTON:</p>		<p>CARTYPE: HONDA CRV 2.0i/2.4i '02- CORE SIZE: 801x338x16 OEM: 80110-S9A-003 DPI: TANK SIZE (L): Φ20x361 TANK SIZE (R): Φ20x361 CARTON:</p>	

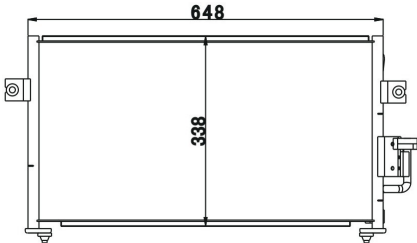
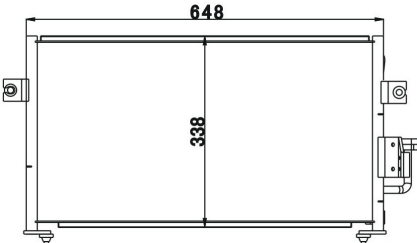
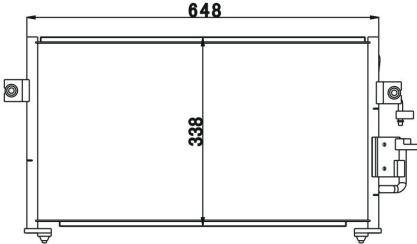
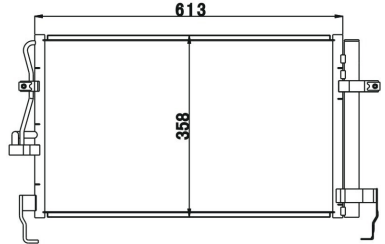
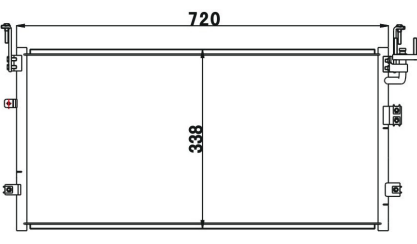
HONDA

<p>6381034 Condenser</p>		<p>6381035 Condenser</p>	
<p>CARTYPE: HONDA CRV CORE SIZE: 673x388x16 OEM: 80110-SNA-A01 DPI: TANK SIZE (L): Φ20x393 TANK SIZE (R): Φ20x393 CARTON:</p>		<p>CARTYPE: HONDA RB3 '09 ODYSSEY CORE SIZE: 741x418x16 OEM: DPI: TANK SIZE (L): Φ20x430 TANK SIZE (R): Φ20x430 CARTON:</p>	
<p>6381036 Condenser</p>		<p>6381037 Condenser</p>	
<p>CARTYPE: HONDA SPIRIOR SR-9 '09- CORE SIZE: 682x347x16 OEM: DPI: TANK SIZE (L): Φ20x366 TANK SIZE (R): Φ20x366 CARTON:</p>		<p>CARTYPE: HONDA CORE SIZE: 714x348x16 OEM: DPI: TANK SIZE (L): Φ20x368 TANK SIZE (R): Φ20x368 CARTON:</p>	

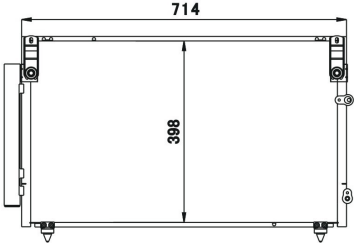
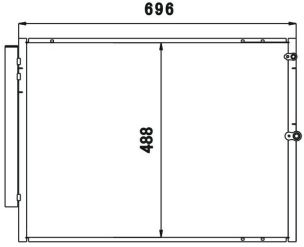
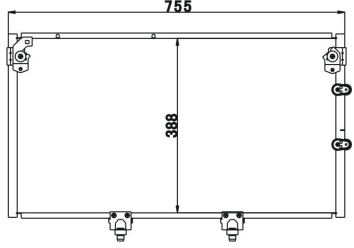
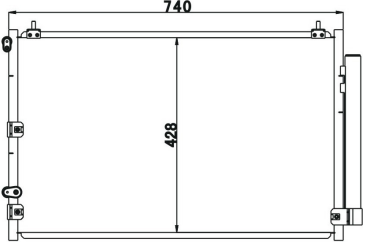
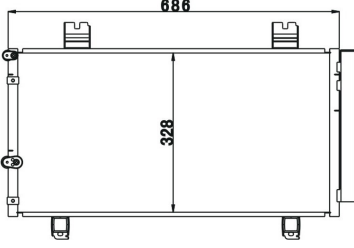
HYUNDAI

6386001 Condenser		6386002 Condenser	
CARTYPE: HYUNDAI ATOS 1.0i '98- CORE SIZE: 448x338x16 OEM: 97606-02000 DPI: TANK SIZE (L): Φ20x347 TANK SIZE (R): Φ20x347 CARTON:		CARTYPE: HYUNDAI TUCSON '04- CARTYPE: KIA SPORTAGE '04- CORE SIZE: 630x368x16 OEM: 97606-2E000 DPI: TANK SIZE (L): Φ20x375 TANK SIZE (R): Φ20x375 CARTON:	
6386003 Condenser		6386004 Condenser	
CARTYPE: HYUNDAI ACCENT '94- CARTYPE: HYUNDAI EXCEL 1.3i '95- CORE SIZE: 581x318x16 OEM: 97606-22000 DPI: TANK SIZE (L): Φ20x346 TANK SIZE (R): Φ20x346 CARTON:		CARTYPE: HYUNDAI ACCENT 1.5i/1.6i '99- CORE SIZE: 616x348x18 OEM: 97606-25500 DPI: TANK SIZE (L): Φ22x358 TANK SIZE (R): Φ22x358 CARTON:	
6386005 Condenser		6386006 Condenser	
CARTYPE: HYUNDAI SONATA '98- CORE SIZE: 720x338x16 OEM: 97606-38003 DPI: TANK SIZE (L): Φ20x350 TANK SIZE (R): Φ20x350 CARTON:		CARTYPE: HYUNDAI SONATA '04- CORE SIZE: 697x338x16 OEM: DPI: TANK SIZE (L): Φ20x350 TANK SIZE (R): Φ20x350 CARTON:	
6386007 Condenser		6386008 Condenser	
CARTYPE: HYUNDAI SANTA FE '00- CORE SIZE: 702x338x16 OEM: 97606-26000 DPI: TANK SIZE (L): Φ20x350 TANK SIZE (R): Φ20x350 CARTON:		CARTYPE: HYUNDAI KIA SHUMA 1.5i/1.6i '98- CORE SIZE: 632x308x18 OEM: 1K2B1-61-480C DPI: TANK SIZE (L): Φ22x332 TANK SIZE (R): Φ22x332 CARTON:	

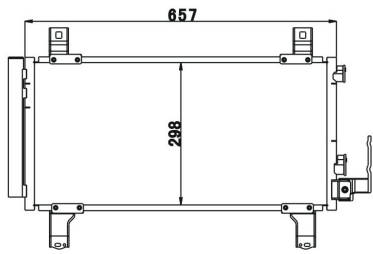
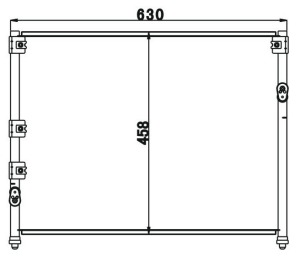
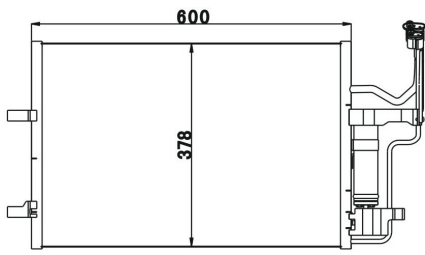
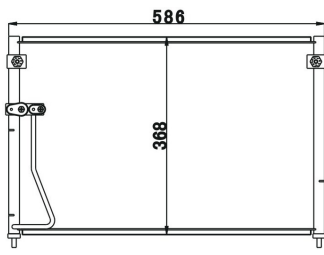
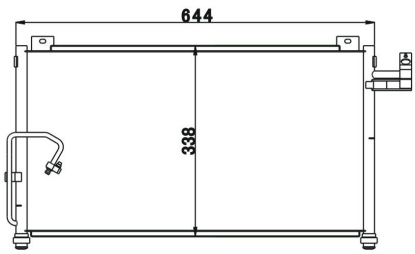
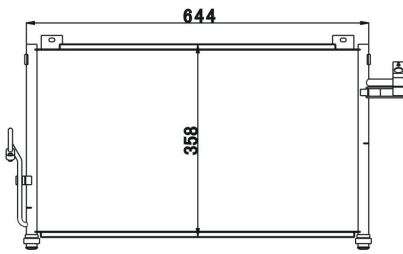
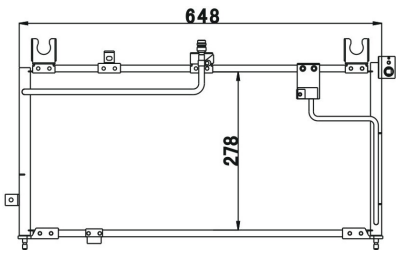
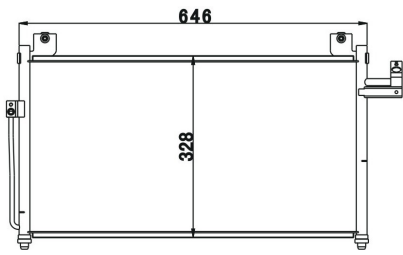
HYUNDAI

<p>6386009 Condenser</p>		<p>6386010 Condenser</p>	
<p>CARTYPE: HYUNDAI ELANTRA J-1 CORE SIZE: 648x338x16 OEM: DPI: TANK SIZE (L): Φ20x355 TANK SIZE (R): Φ20x355 CARTON:</p>		<p>CARTYPE: HYUNDAI ELANTRA J-2 CORE SIZE: 648x338x16 OEM: DPI: TANK SIZE (L): Φ20x355 TANK SIZE (R): Φ20x355 CARTON:</p>	
<p>6386011 Condenser</p>		<p>6386012 Condenser</p>	
<p>CARTYPE: HYUNDAI ELANTRA '95- CORE SIZE: 648x338x16 OEM: 97606-29000/29100 DPI: TANK SIZE (L): Φ20x355 TANK SIZE (R): Φ20x355 CARTON:</p>		<p>CARTYPE: HYUNDAI ELANTRA '00- CARTYPE: HYUNDAI COUPE '02- CORE SIZE: 613x358x16 OEM: 97606-2D000/2D500 DPI: TANK SIZE (L): Φ20x370 TANK SIZE (R): Φ20x370 CARTON:</p>	
<p>6386013 Condenser</p>			
<p>CARTYPE: HYUNDAI SONATA '98- CARTYPE: KIA MAGENTIS'O1- CORE SIZE: 720x338x16 OEM: 97606-38001/38002 DPI: TANK SIZE (L): Φ20x353 TANK SIZE (R): Φ20x353 CARTON:</p>			

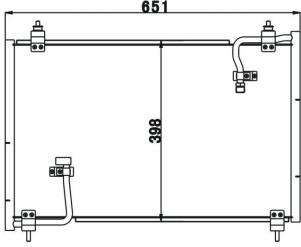
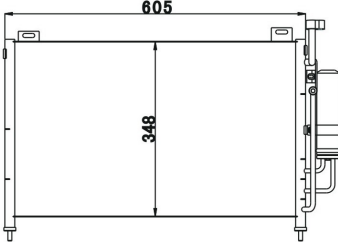
LEXUS

<p>6380009 Condenser</p>		<p>6380020 Condenser</p>	
<p>CARTYPE: TOYOTA LEXUS GS300/JZS160 CORE SIZE: 714x398x16 OEM: 88460-30800 DPI: TANK SIZE (L): Φ20x417 TANK SIZE (R): Φ20x417 CARTON:</p>		<p>CARTYPE: TOYOTA LEXUS RX300 CORE SIZE: 696x488x16 OEM: 88450-48010 DPI: TANK SIZE (L): Φ20x510 TANK SIZE (R): Φ20x510 CARTON:</p>	
<p>6380026 Condenser</p>		<p>6380051 Condenser</p>	
<p>CARTYPE: TOYOTA LEXUS LS400/UCF20 '95-98 CORE SIZE: 755x388x16 OEM: DPI: TANK SIZE (L): Φ20x408 TANK SIZE (R): Φ20x408 CARTON:</p>		<p>CARTYPE: TOYOTA LEXUS LS430/UCF30 '00- CORE SIZE: 740x428x16 OEM: 16400-50230 DPI: TANK SIZE (L): Φ20x463 TANK SIZE (R): Φ20x463 CARTON:</p>	
<p>6380052 Condenser</p>			
<p>CARTYPE: TOYOTA LEXUS IS350 CORE SIZE: 686x328x16 OEM: DPI: TANK SIZE (L): Φ20x346 TANK SIZE (R): Φ20x346 CARTON:</p>			

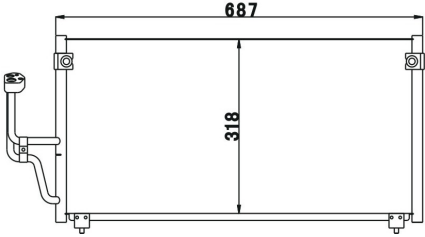
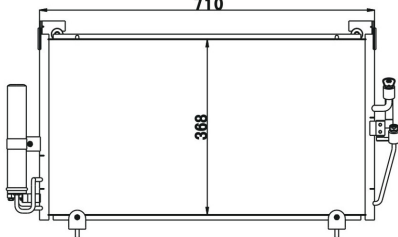
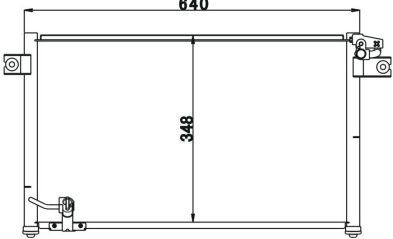
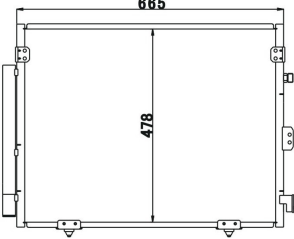
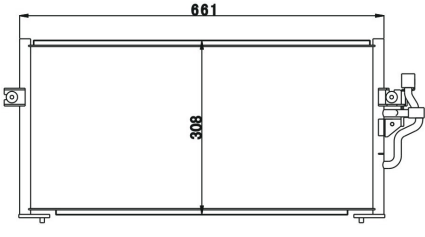
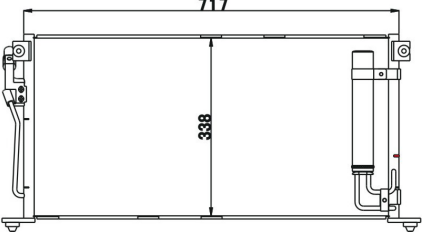
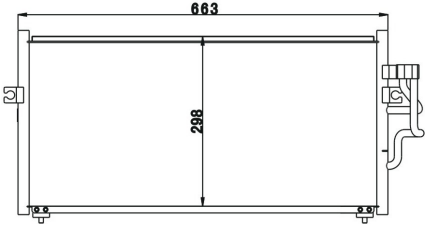
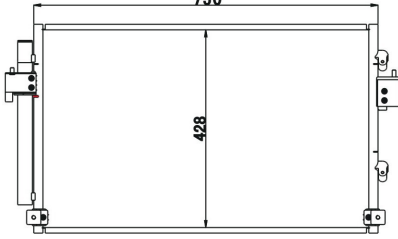
MAZDA

6384001 Condenser		6384002 Condenser	
CARTYPE: MAZDA M6 '02- CORE SIZE: 657x298x16 OEM: GJYA-61-48ZA/GJ6A-61-480B/GJYA-61-48Z DPI: TANK SIZE (L): Φ20x320 TANK SIZE (R): Φ20x320 CARTON:		CARTYPE: MAZDA MPV CORE SIZE: 630x458x16 OEM: DPI: TANK SIZE (L): Φ20x471 TANK SIZE (R): Φ20x471 CARTON:	
6384003 Condenser		6384004 Condenser	
CARTYPE: MAZDA 3 '03- CORE SIZE: 600x378x16 OEM: BPYK-61-480ZA/BPYK-61-48Z/BP4K-61-480C DPI: TANK SIZE (L): Φ20x388 TANK SIZE (R): Φ20x388 CARTON:		CARTYPE: MAZDA 626 GF '97- CORE SIZE: 586x368x16 OEM: GE4T-61-480A/B OEM: GE9E-61-480A/B DPI: TANK SIZE (L): Φ20x382 TANK SIZE (R): Φ20x382 CARTON:	
6384005 Condenser		6384006 Condenser	
CARTYPE: MAZDA 323 '98- CARTYPE: MAZDA PROTEGE '98- CORE SIZE: 644x388x16 OEM: B25F-61-480/B25H-61-480 DPI: TANK SIZE (L): Φ20x340 TANK SIZE (R): Φ20x340 CARTON:		CARTYPE: MAZDA PREMACY '99- CORE SIZE: 644x358x16 OEM: C100-61-480/C100-61-480A/B DPI: TANK SIZE (L): Φ20x360 TANK SIZE (R): Φ20x360 CARTON:	
6384007 Condenser		6384008 Condenser	
CARTYPE: MAZDA 323 '94- CARTYPE: PROTEGE '94- CORE SIZE: 648x278x16 OEM: B02H-61-480B/B02H-61-480C DPI: TANK SIZE (L): Φ20x298 TANK SIZE (R): Φ20x298 CARTON:		CARTYPE: MAZDA 323 '98- CARTYPE: PROTEGE '98- CORE SIZE: 646x328x16 OEM: BK2J-61-480 DPI: TANK SIZE (L): Φ20x355 TANK SIZE (R): Φ20x355 CARTON:	

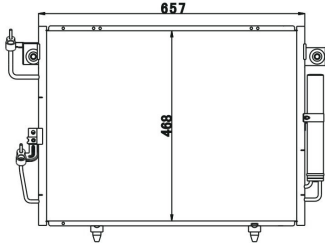
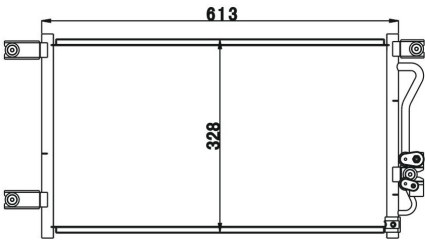
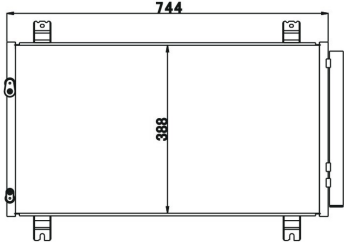
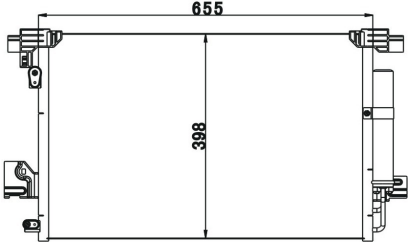
MAZDA

<p>6384009 Condenser</p>		<p>6384010 Condenser</p>	
<p>CARTYPE: MAZDA 929 CORE SIZE: 651x398x16 OEM: DPI: TANK SIZE (L): $\Phi 20 \times 417$ TANK SIZE (R): $\Phi 20 \times 417$ CARTON:</p>		<p>CARTYPE: MAZDA 2 '07- CORE SIZE: 605x348x16 OEM: DFY1-61-48Z DPI: TANK SIZE (L): $\Phi 20 \times 381$ TANK SIZE (R): $\Phi 20 \times 381$ CARTON:</p>	

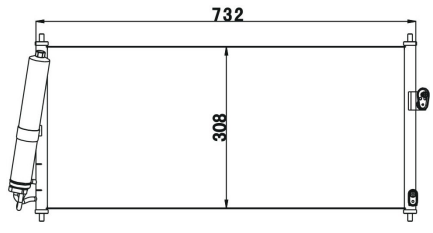
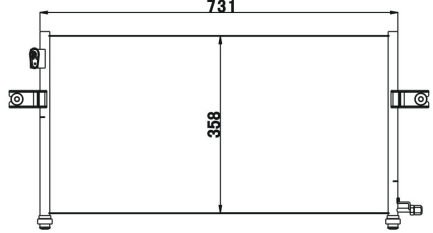
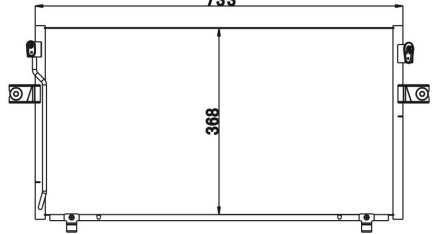
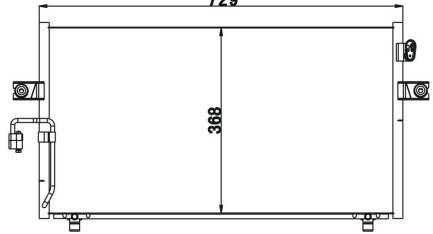
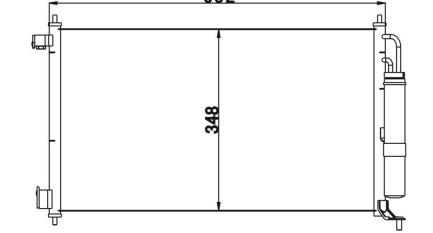
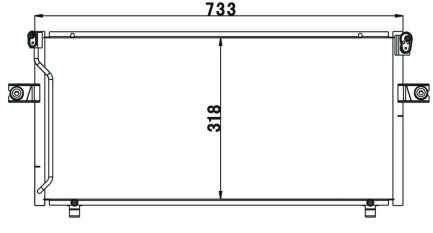
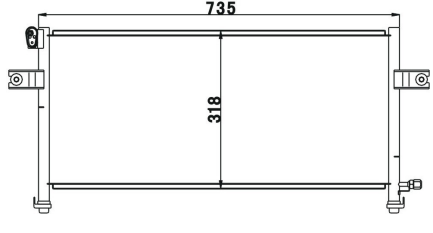
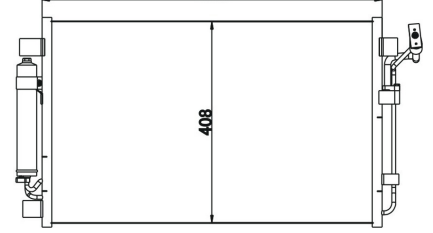
MITSUBISHI

<p>6383001 Condenser</p>		<p>6383002 Condenser</p>	
<p>CARTYPE: MITSUBISHI GALANT '96- CORE SIZE: 687x318x16 OEM: MR216132 DPI: TANK SIZE (L): Φ20x347 TANK SIZE (R): Φ20x347 CARTON:</p>		<p>CARTYPE: MITSUBISHI OUTLANDER 2.0i/2.4i '03- CORE SIZE: 713x368x16 OEM: MR958462 DPI: TANK SIZE (L): Φ20x391 TANK SIZE (R): Φ20x391 CARTON:</p>	
<p>6383003 Condenser</p>		<p>6383004 Condenser</p>	
<p>CARTYPE: MITSUBISHI PAJERO V33 '92-96 CORE SIZE: 640x348x18 OEM: MB918439 DPI: TANK SIZE (L): Φ22x374 TANK SIZE (R): Φ22x374 CARTON:</p>		<p>CARTYPE: MITSUBISHI PAJERO V73 '02- CORE SIZE: 665x478x16 OEM: DPI: TANK SIZE (L): Φ20x505 TANK SIZE (R): Φ20x505 CARTON:</p>	
<p>6383005 Condenser</p>		<p>6383006 Condenser</p>	
<p>CARTYPE: MITSUBISHI LANCER '96- CARTYPE: MITSUBISHI COLT '96- CORE SIZE: 661x308x16 OEM: MR218428 DPI: TANK SIZE (L): Φ20x320 TANK SIZE (R): Φ20x320 CARTON:</p>		<p>CARTYPE: MITSUBISHI LANCER '96- CARTYPE: MITSUBISHI LANCER '03- CORE SIZE: 717x388x16 OEM: MN151100 DPI: TANK SIZE (L): Φ20x356 TANK SIZE (R): Φ20x356 CARTON:</p>	
<p>6383007 Condenser</p>		<p>6383008 Condenser</p>	
<p>CARTYPE: MITSUBISHI SOUEAST LIONCEL CORE SIZE: 663x298x16 OEM: MR360274 DPI: TANK SIZE (L): Φ20x328 TANK SIZE (R): Φ20x328 CARTON:</p>		<p>CARTYPE: MITSUBISHI SOUEAST SOVERAN CORE SIZE: 750x428x16 OEM: DPI: TANK SIZE (L): Φ20x452 TANK SIZE (R): Φ20x452 CARTON:</p>	

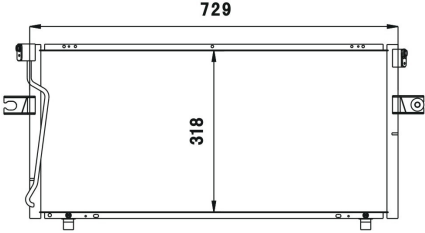
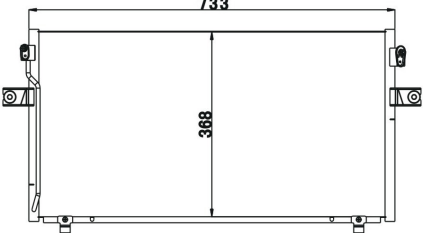
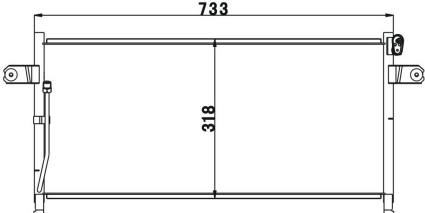
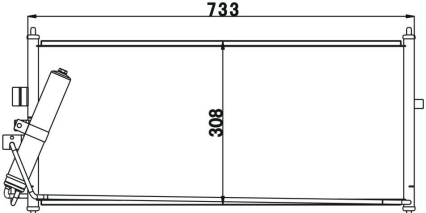
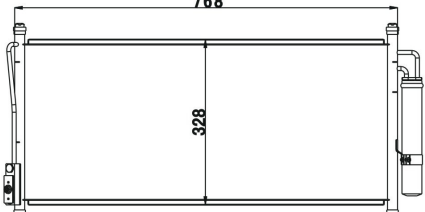
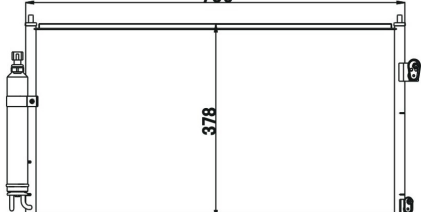
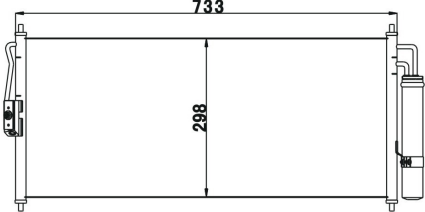
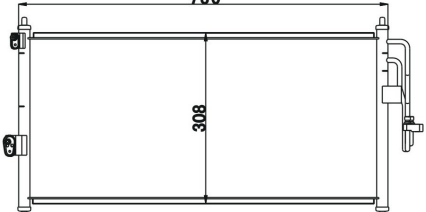
MITSUBISHI

<p>6383009 Condenser</p>		<p>6383010 Condenser</p>	
<p>CARTYPE: MITSUBISHI MONTERO '00- CARTYPE: MITSUBISHI PAJERO '00- CORE SIZE: 657x468x16 OEM: MN123332 DPI: TANK SIZE (L): $\Phi 20 \times 490$ TANK SIZE (R): $\Phi 20 \times 490$ CARTON:</p>		<p>CARTYPE: MITSUBISHI MONTERO SPORT '98- CORE SIZE: 614x328x16 OEM: MR360415 DPI: TANK SIZE (L): $\Phi 20 \times 348$ TANK SIZE (R): $\Phi 20 \times 348$ CARTON:</p>	
<p>6383011 Condenser</p>		<p>6383012 Condenser</p>	
<p>CARTYPE: MITSUBISHI GRANDIS '04-08 CORE SIZE: 744x388x16 OEM: DPI: TANK SIZE (L): $\Phi 20 \times 403$ TANK SIZE (R): $\Phi 20 \times 403$ CARTON:</p>		<p>CARTYPE: MITSUBISHI LANCER '07- CORE SIZE: 655x398x16 OEM: 7812A030 DPI: TANK SIZE (L): $\Phi 20 \times 410$ TANK SIZE (R): $\Phi 20 \times 410$ CARTON:</p>	

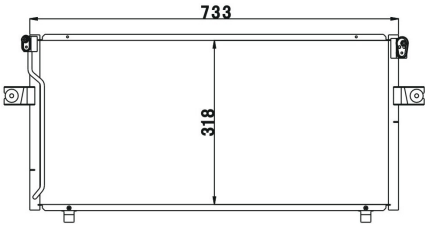
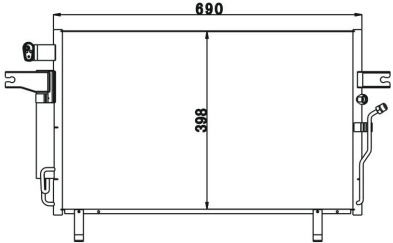
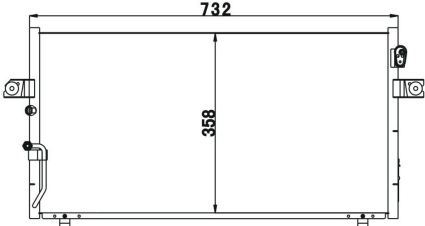
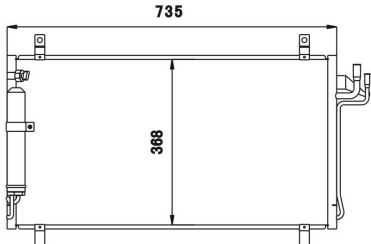
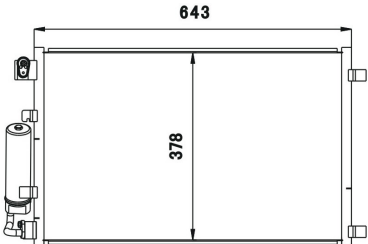
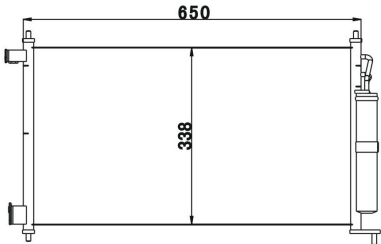
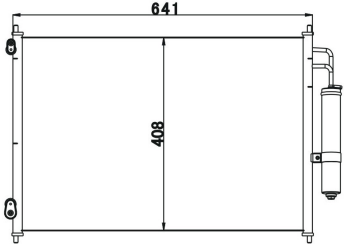
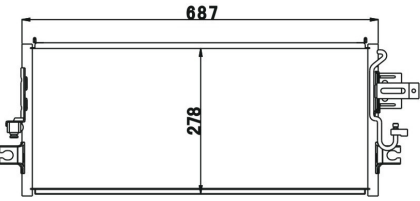
NISSAN

6382001 Condenser		6382002 Condenser	
CARTYPE: NISSAN N16 '03/EQ7202B CORE SIZE: 732x308x18 OEM: 92110-5M000 DPI: TANK SIZE (L): $\Phi 22 \times 325$ TANK SIZE (R): $\Phi 22 \times 325$ CARTON:		CARTYPE: NISSAN PALADIN CORE SIZE: 731x358x16 OEM: 92110-9S600 DPI: TANK SIZE (L): $\Phi 20 \times 378$ TANK SIZE (R): $\Phi 20 \times 378$ CARTON:	
6382003 Condenser		6382004 Condenser	
CARTYPE: NISSAN CEFIRO A32 '95- (R134a) CORE SIZE: 733x368x16 OEM: 92110-31U10 DPI: TANK SIZE (L): $\Phi 20 \times 383$ TANK SIZE (R): $\Phi 20 \times 383$ CARTON:		CARTYPE: NISSAN CEFIRO A32 '98- CORE SIZE: 729x368x16 OEM: 92110-4L005 DPI: TANK SIZE (L): $\Phi 20 \times 390$ TANK SIZE (R): $\Phi 20 \times 390$ CARTON:	
6382005 Condenser		6382006 Condenser	
CARTYPE: NISSAN TIIDA/G12 '04-06 CORE SIZE: 652x348x18 OEM: 92110-AX800 DPI: TANK SIZE (L): $\Phi 22 \times 370$ TANK SIZE (R): $\Phi 22 \times 370$ CARTON:		CARTYPE: NISSAN ALTIMA 1.8/U13 '93-98 CORE SIZE: 733x318x16 OEM: 92110-2B000 DPI: TANK SIZE (L): $\Phi 20 \times 343$ TANK SIZE (R): $\Phi 20 \times 343$ CARTON:	
6382007 Condenser		6382008 Condenser	
CARTYPE: NISSAN PICKUP D22 '98- CORE SIZE: 735x318x18 OEM: 92110-3S401/VJ200 DPI: TANK SIZE (L): $\Phi 22 \times 355$ TANK SIZE (R): $\Phi 22 \times 355$ CARTON:		CARTYPE: NISSAN TEANA '08- CORE SIZE: 696x408x16 OEM: 92100-9W200 DPI: TANK SIZE (L): $\Phi 20 \times 426$ TANK SIZE (R): $\Phi 20 \times 426$ CARTON:	

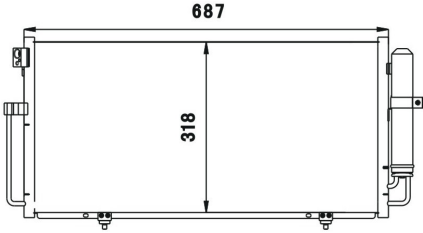
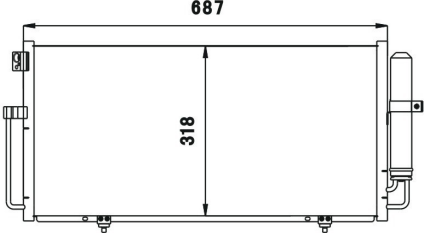
NISSAN

6382009 Condenser		6382010 Condenser	
CARTYPE: NISSAN MAXIMA QX '94- / EQ7200-3 CORE SIZE: 729x318x18 OEM: 92110-0L710 DPI: TANK SIZE (L): Φ 22x343 TANK SIZE (R): Φ 22x343 CARTON:		CARTYPE: NISSAN CEFIRO A32 '95- (R12) CORE SIZE: 733x368x16 OEM: DPI: TANK SIZE (L): Φ 20x383 TANK SIZE (R): Φ 20x383 CARTON:	
6382011 Condenser		6382012 Condenser	
CARTYPE: NISSAN PATROL '97-99 Y61 CORE SIZE: 733x318x16 OEM: DPI: TANK SIZE (L): Φ 20x345 TANK SIZE (R): Φ 20x345 CARTON:		CARTYPE: NISSAN ALMERA N16 '00- CARTYPE: NISSAN PRIMERA P12 '02- CORE SIZE: 733x308x16 OEM: 92100-BN900 DPI: TANK SIZE (L): Φ 20x328 TANK SIZE (R): Φ 20x328 CARTON:	
6382013 Condenser		6382014 Condenser	
CARTYPE: NISSAN TEANA '04- CORE SIZE: 768x328x16 OEM: 92110-CA000 DPI: TANK SIZE (L): Φ 20x358 TANK SIZE (R): Φ 20x358 CARTON:		CARTYPE: NISSAN X-TRAIL T30 '01- CORE SIZE: 735x368x16 OEM: 92100-8H300 DPI: TANK SIZE (L): Φ 20x377 TANK SIZE (R): Φ 20x377 CARTON:	
6382015 Condenser		6382016 Condenser	
CARTYPE: NISSAN SENTRA '02-06 CORE SIZE: 733x298x16 OEM: 92110-4Z010 DPI: TANK SIZE (L): Φ 20x323 TANK SIZE (R): Φ 20x323 CARTON:		CARTYPE: NISSAN SENTRA '00-01 CORE SIZE: 730x308x16 OEM: 82110-4Z001 DPI: TANK SIZE (L): Φ 20x325 TANK SIZE (R): Φ 20x325 CARTON:	

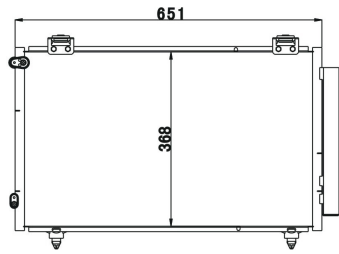
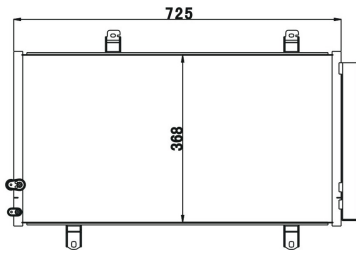
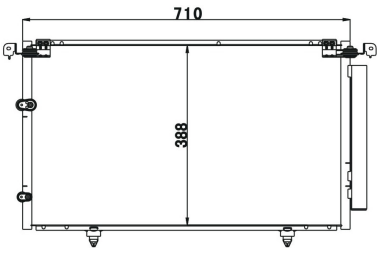
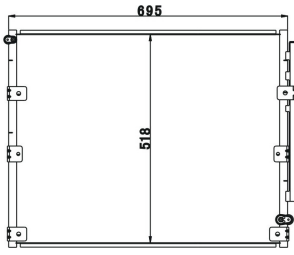
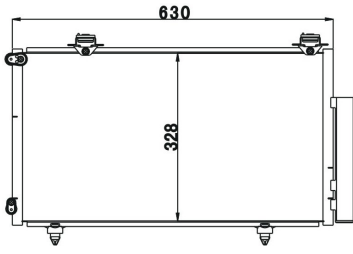
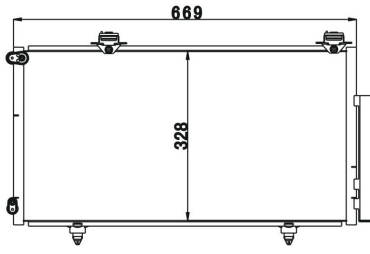
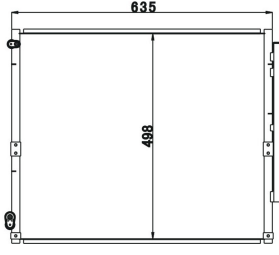
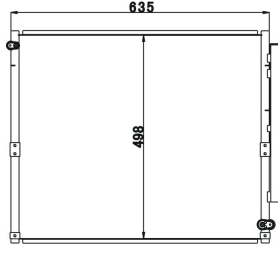
NISSAN

6382017 Condenser		6382018 Condenser	
CARTYPE: NISSAN FOISON CORE SIZE: 733x318x16 OEM: DPI: TANK SIZE (L): Φ20x345 TANK SIZE (R): Φ20x345 CARTON:		CARTYPE: INFINITI QX4 '97- CARTYPE: NISSAN PATHFINDER '97- CORE SIZE: 690x398x16 OEM: 92100-4W000 DPI: TANK SIZE (L): Φ20x414 TANK SIZE (R): Φ20x414 CARTON:	
6382019 Condenser		6382020 Condenser	
CARTYPE: NISSAN MAXIMA QX '94-00 CORE SIZE: 732x358x16 OEM: 92110-2Y910 DPI: TANK SIZE (L): Φ20x377 TANK SIZE (R): Φ20x377 CARTON:		CARTYPE: NISSAN INFINITI CORE SIZE: 735x368x16 OEM: 92100-AM600 DPI: TANK SIZE (L): Φ20x386 TANK SIZE (R): Φ20x386 CARTON:	
6382021 Condenser		6382022 Condenser	
CARTYPE: NISSAN QASHQAI '07- CORE SIZE: 732x358x16 OEM: 92100-JD00A DPI: TANK SIZE (L): Φ20x400 TANK SIZE (R): Φ20x400 CARTON:		CARTYPE: NISSAN LIVINA CORE SIZE: 650x338x16 OEM: DPI: TANK SIZE (L): Φ20x368 TANK SIZE (R): Φ20x368 CARTON:	
6382023 Condenser		6382024 Condenser	
CARTYPE: NISSAN X-TRALL T31 '07- CORE SIZE: 641x408x16 OEM: 92100-JG000 DPI: TANK SIZE (L): Φ20x428 TANK SIZE (R): Φ20x428 CARTON:		CARTYPE: NISSAN SUNNY B14 '94-96 CORE SIZE: 687x278x16 OEM: 92111-65Y00 DPI: TANK SIZE (L): Φ20x291 TANK SIZE (R): Φ20x291 CARTON:	

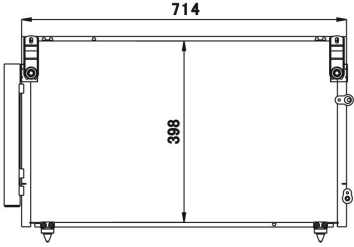
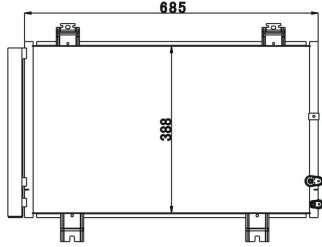
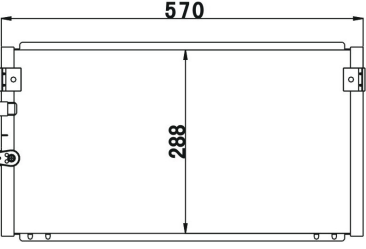
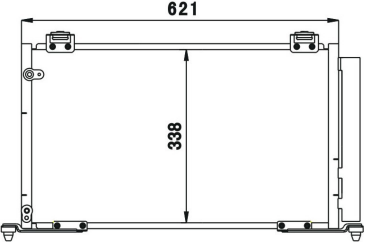
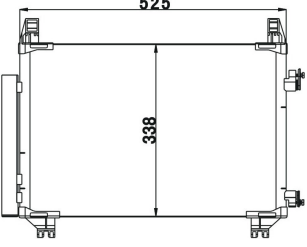
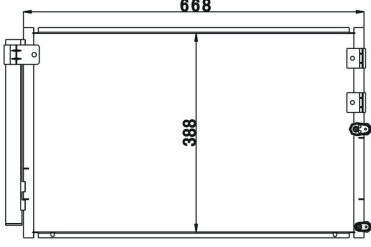
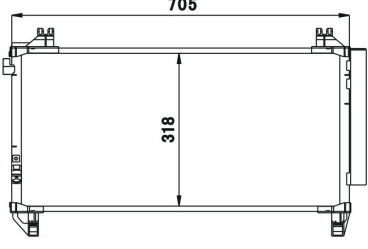
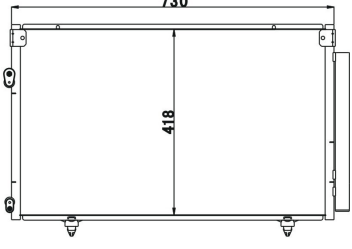
SUBARU

<p>6385001 Condenser</p>		<p>6385002 Condenser</p>	
<p>CARTYPE: SUBARU IMPREZA '00- CORE SIZE: 687x318x16 OEM: 73210-FE010 DPI: TANK SIZE (L): $\Phi 20 \times 337$ TANK SIZE (R): $\Phi 20 \times 337$ CARTON:</p>		<p>CARTYPE: SUBARU IMPREZA '02- CORE SIZE: 687x318x16 OEM: DPI: TANK SIZE (L): $\Phi 20 \times 337$ TANK SIZE (R): $\Phi 20 \times 337$ CARTON:</p>	

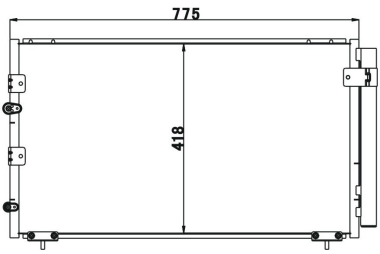
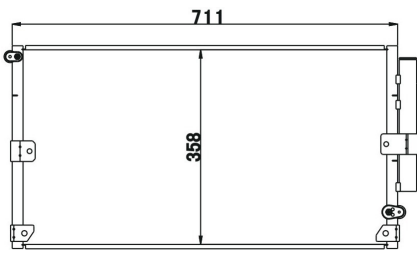
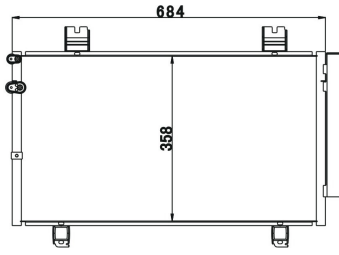
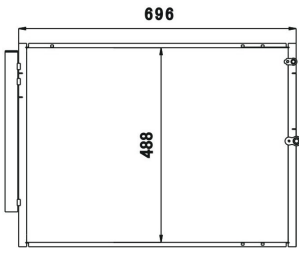
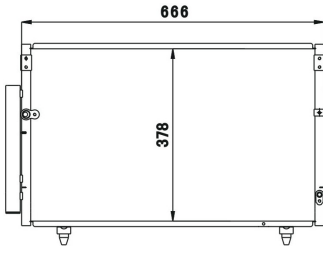
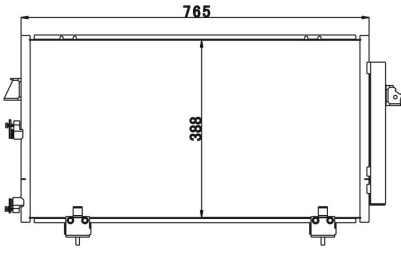
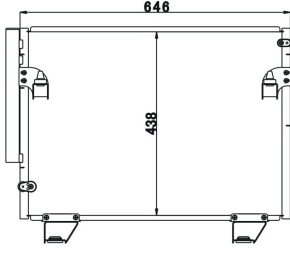
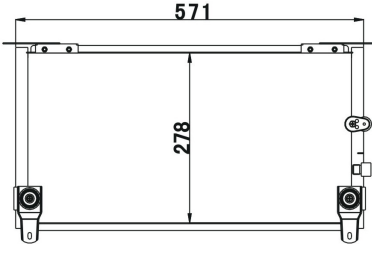
TOYOTA

6380001 Condenser		6380002 Condenser	
CARTYPE: TOYOTA COROLLA ZZE122 CORE SIZE: 651x368x16 OEM: 88450-12231/13031 DPI: TANK SIZE (L): Φ20x387 TANK SIZE (R): Φ20x387 CARTON:		CARTYPE: TOYOTA CAMRY '07 ACV40 CORE SIZE: 725x368x16 OEM: 88460-06190 DPI: TANK SIZE (L): Φ20x385 TANK SIZE (R): Φ20x385 CARTON:	
6380003 Condenser		6380004 Condenser	
CARTYPE: TOYOTA CAMRY '03 ACV30/MCV30 CORE SIZE: 710x388x16 OEM: 88460-06070 DPI: TANK SIZE (L): Φ20x407 TANK SIZE (R): Φ20x407 CARTON:		CARTYPE: TOYOTA LANDCRUISER 4700/FZJ100 CORE SIZE: 695x518x16 OEM: 88460-60903 DPI: TANK SIZE (L): Φ20x541 TANK SIZE (R): Φ20x541 CARTON:	
6380005 Condenser		6380006 Condenser	
CARTYPE: TOYOTA VIOS '03 CORE SIZE: 628x328x16 OEM: 88450-0D030 DPI: TANK SIZE (L): Φ20x345 TANK SIZE (R): Φ20x345 CARTON:		CARTYPE: TOYOTA VIOS '04 CORE SIZE: 669x328x16 OEM: 88450-0D040 DPI: TANK SIZE (L): Φ20x345 TANK SIZE (R): Φ20x345 CARTON:	
6380007 Condenser		6380008 Condenser	
CARTYPE: TOYOTA PRADO 4000 GRJ120 (Single A/C) CORE SIZE: 635x498x16 OEM: 88461-60100 DPI: TANK SIZE (L): Φ20x520 TANK SIZE (R): Φ20x520 CARTON:		CARTYPE: TOYOTA PRADO 4000 GRJ120 (Dual A/C) CORE SIZE: 635x498x16 OEM: 88461-60090 DPI: TANK SIZE (L): Φ20x520 TANK SIZE (R): Φ20x520 CARTON:	

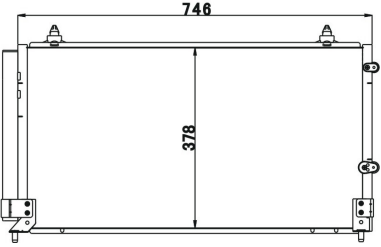
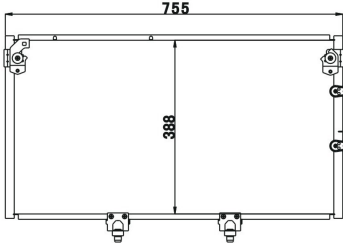
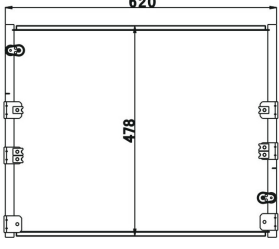
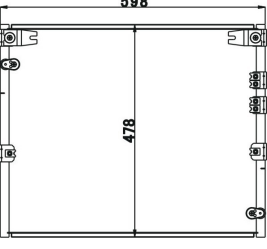
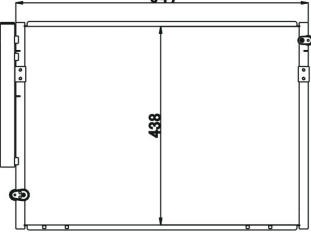
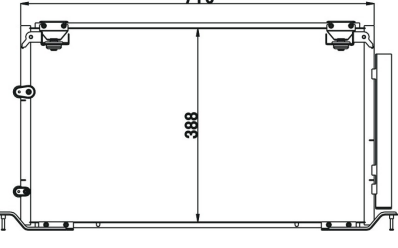
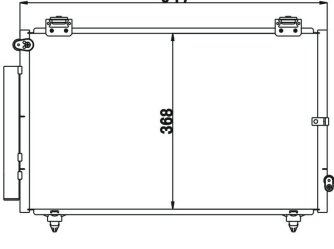
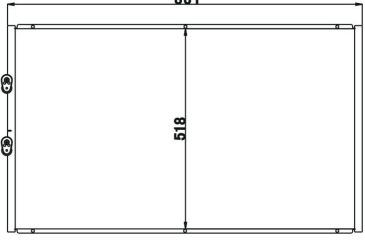
TOYOTA

6380009 Condenser		6380010 Condenser	
CARTYPE: TOYOTA LEXUS GS300/JZS160 CORE SIZE: 714x398x16 OEM: 88460-30800 DPI: TANK SIZE (L): Φ20x417 TANK SIZE (R): Φ20x417 CARTON:		CARTYPE: TOYOTA CROWN '04 GRS182 CORE SIZE: 685x388x16 OEM: 88460-0N010 DPI: TANK SIZE (L): Φ20x410 TANK SIZE (R): Φ20x410 CARTON:	
6380011 Condenser		6380012 Condenser	
CARTYPE: TOYOTA HILUX LN145 CORE SIZE: 570x288x16 OEM: 88460-35280 DPI: TANK SIZE (L): Φ20x297 TANK SIZE (R): Φ20x297 CARTON:		CARTYPE: TOYOTA COROLLA ZRE120 '07 CORE SIZE: 621x338x16 OEM: 88450-02350 DPI: TANK SIZE (L): Φ20x361 TANK SIZE (R): Φ20x361 CARTON:	
6380013 Condenser		6380014 Condenser	
CARTYPE: TOYOTA VIOS '08/NCP92 CORE SIZE: 525x338x16 OEM: 88460-0D050 DPI: TANK SIZE (L): Φ20x343 TANK SIZE (R): Φ20x343 CARTON:		CARTYPE: TOYOTA GY91 CORE SIZE: 668x378x16 OEM: DPI: TANK SIZE (L): Φ20x411 TANK SIZE (R): Φ20x411 CARTON:	
6380015 Condenser		6380016 Condenser	
CARTYPE: TOYOTA YARIS '07- CORE SIZE: 705x318x16 OEM: 88460-52100 DPI: TANK SIZE (L): Φ20x338 TANK SIZE (R): Φ20x338 CARTON:		CARTYPE: TOYOTA HIGHLANDER '09 CORE SIZE: 730x418x16 OEM: 88460-48020 DPI: TANK SIZE (L): Φ20x440 TANK SIZE (R): Φ20x440 CARTON:	

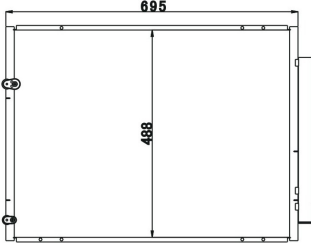
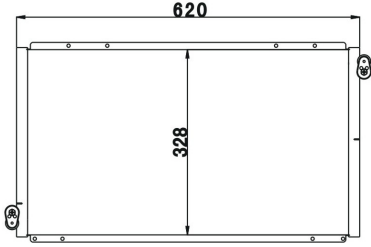
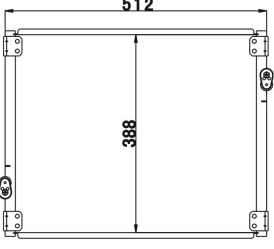
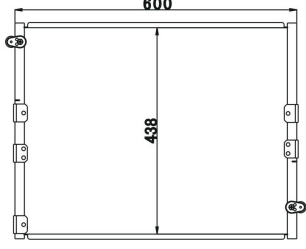
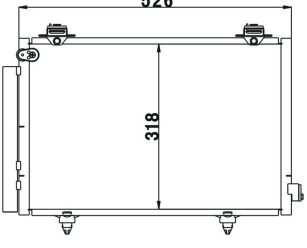
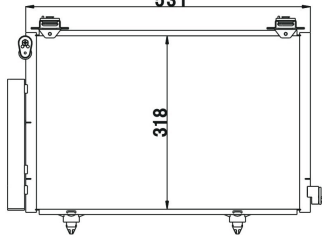
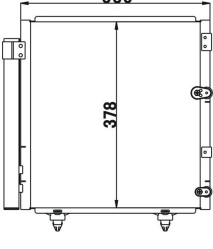
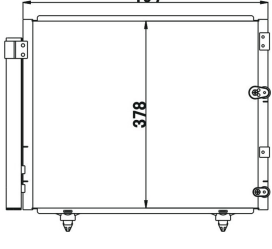
TOYOTA

6380017 Condenser		6380018 Condenser	
CARTYPE: TOYOTA ACR30 (02-) CORE SIZE: 775x418x16 OEM: 88460-28550 DPI: TANK SIZE (L): $\Phi 20 \times 439$ TANK SIZE (R): $\Phi 20 \times 439$ CARTON:		CARTYPE: TOYOTA LANDCRUISER CORE SIZE: 711x358x16 OEM: DPI: TANK SIZE (L): $\Phi 20 \times 373$ TANK SIZE (R): $\Phi 20 \times 373$ CARTON:	
6380019 Condenser		6380020 Condenser	
CARTYPE: TOYOTA REIZ/GRX122 CORE SIZE: 684x358x16 OEM: 88460-0P020 DPI: TANK SIZE (L): $\Phi 20 \times 378$ TANK SIZE (R): $\Phi 20 \times 378$ CARTON:		CARTYPE: TOYOTA LEXUS RX300 CORE SIZE: 696x488x16 OEM: 88450-48010 DPI: TANK SIZE (L): $\Phi 20 \times 510$ TANK SIZE (R): $\Phi 20 \times 510$ CARTON:	
6380021 Condenser		6380022 Condenser	
CARTYPE: TOYOTA WISH CORE SIZE: 666x378x16 OEM: 88460-21040 DPI: TANK SIZE (L): $\Phi 20 \times 398$ TANK SIZE (R): $\Phi 20 \times 398$ CARTON:		CARTYPE: TOYOTA RAV4/ACA21 '01 CORE SIZE: 765x388x16 OEM: 88460-42090 DPI: TANK SIZE (L): $\Phi 20 \times 409$ TANK SIZE (R): $\Phi 20 \times 409$ CARTON:	
6380023 Condenser		6380024 Condenser	
CARTYPE: TOYOTA HILUX/VEGA CORE SIZE: 646x438x16 OEM: 88460-0K020 DPI: TANK SIZE (L): $\Phi 20 \times 455$ TANK SIZE (R): $\Phi 20 \times 455$ CARTON:		CARTYPE: TOYOTA HILUX '01- CORE SIZE: 571x278x16 OEM: 88460-35280 DPI: TANK SIZE (L): $\Phi 20 \times 296.5$ TANK SIZE (R): $\Phi 20 \times 296.5$ CARTON:	

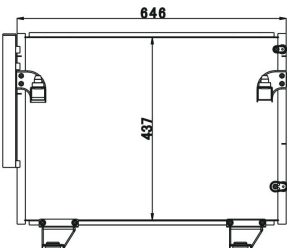
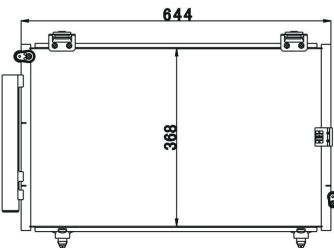
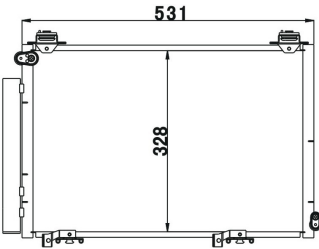
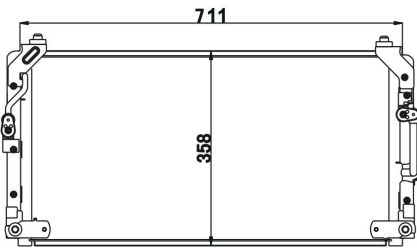
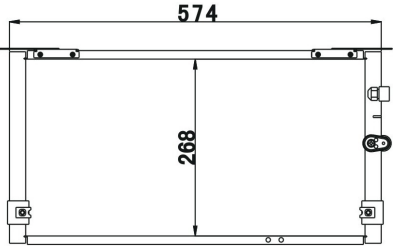
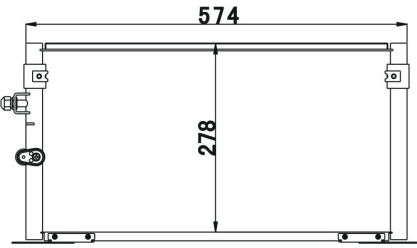
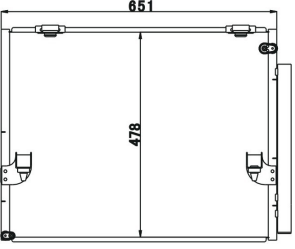
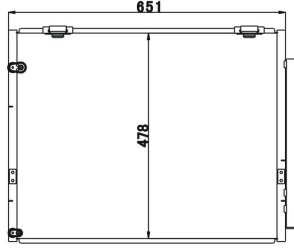
TOYOTA

<p>6380025 Condenser</p>		<p>6380026 Condenser</p>	
<p>CARTYPE: TOYOTA AVENSIS VERSO '01- CARTYPE: TOYOTA IPSUM/PICNIC '01- CORE SIZE: 746x378x16 OEM: 88460-44440 DPI: TANK SIZE (L): Φ20x392 TANK SIZE (R): Φ20x392 CARTON:</p>		<p>CARTYPE: TOYOTA LEXUS LS400/UCF20 '95-98 CORE SIZE: 755x388x16 OEM: DPI: TANK SIZE (L): Φ20x408 TANK SIZE (R): Φ20x408 CARTON:</p>	
<p>6380027 Condenser</p>		<p>6380028 Condenser</p>	
<p>CARTYPE: TOYOTA LANDCRUISER 90 '96- CORE SIZE: 620x478x16 OEM: :88460-60240 DPI: TANK SIZE (L): Φ20x485 TANK SIZE (R): Φ20x485</p>		<p>CARTYPE: TOYOTA PRADO 3400 '95- CORE SIZE: 598x478x16 OEM: 88460-60250 DPI: TANK SIZE (L): Φ20x480 TANK SIZE (R): Φ20x480 CARTON:</p>	
<p>6380029 Condenser</p>		<p>6380030 Condenser</p>	
<p>CARTYPE: TOYOTA PICKUP '06- CORE SIZE: 647x438x16 OEM: DPI: TANK SIZE (L): Φ20x455.5 TANK SIZE (R): Φ20x455.5 CARTON:</p>		<p>CARTYPE: TOYOTA AVALON '00- CORE SIZE: 710x388x16 OEM: 88460-07032 DPI: TANK SIZE (L): Φ20x400 TANK SIZE (R): Φ20x400 CARTON:</p>	
<p>6380031 Condenser</p>		<p>6380032 Condenser</p>	
<p>CARTYPE: TOYOTA COROLLA '01- CORE SIZE: 647x368x16 OEM: 88460-12540 DPI: TANK SIZE (L): Φ20x382 TANK SIZE (R): Φ20x382 CARTON:</p>		<p>CARTYPE: TOYOTA CORE SIZE: 831x518x16 OEM: DPI: TANK SIZE (L): Φ20x534 TANK SIZE (R): Φ20x534 CARTON:</p>	

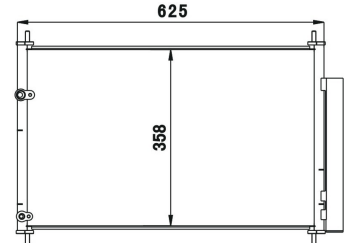
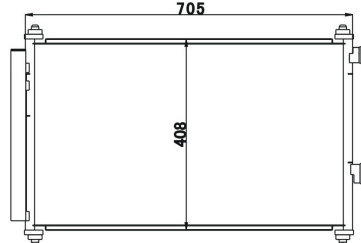
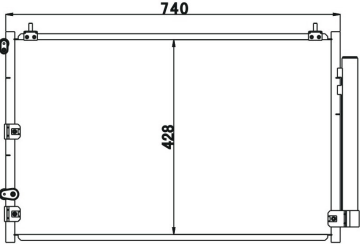
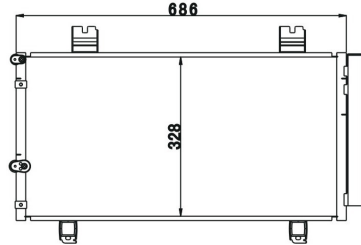
TOYOTA

6380033 Condenser		6380034 Condenser	
CARTYPE: TOYOTA SIENNA CORE SIZE: 695x488x16 OEM: 88461-08010 DPI: TANK SIZE (L): $\Phi 20 \times 507$ TANK SIZE (R): $\Phi 20 \times 507$ CARTON:		CARTYPE: TOYOTA CELICA '93- CORE SIZE: 620x328x16 OEM: 88460-20470 DPI: TANK SIZE (L): $\Phi 20 \times 341$ TANK SIZE (R): $\Phi 20 \times 341$ CARTON:	
6380035 Condenser		6380036 Condenser	
CARTYPE: TOYOTA HIACE CORE SIZE: 512x388x16 OEM: 88460-26520 DPI: TANK SIZE (L): $\Phi 20 \times 401$ TANK SIZE (R): $\Phi 200 \times 401$ CARTON:		CARTYPE: TOYOTA PRADO CORE SIZE: 600x438x16 OEM: DPI: TANK SIZE (L): $\Phi 20 \times 458$ TANK SIZE (R): $\Phi 20 \times 458$ CARTON:	
6380037 Condenser		6380038 Condenser	
CARTYPE: TOYOTA COROLLA CORE SIZE: 526x218x16 OEM: 88450-12231 DPI: TANK SIZE (L): $\Phi 20 \times 340$ TANK SIZE (R): $\Phi 20 \times 340$ CARTON:		CARTYPE: TOYOTA CORE SIZE: 531x318x16 OEM: DPI: TANK SIZE (L): $\Phi 20 \times 335$ TANK SIZE (R): $\Phi 20 \times 335$ CARTON:	
6380039 Condenser		6380040 Condenser	
CARTYPE: TOYOTA AVANZA (MT) CORE SIZE: 385x378x16 OEM: DPI: TANK SIZE (L): $\Phi 20 \times 385$ TANK SIZE (R): $\Phi 20 \times 385$		CARTYPE: TOYOTA AVANZA (AT) CORE SIZE: 497x378x16 OEM: DPI: TANK SIZE (L): $\Phi 20 \times 385$ TANK SIZE (R): $\Phi 20 \times 385$ CARTON:	

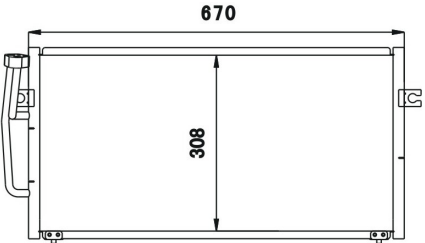
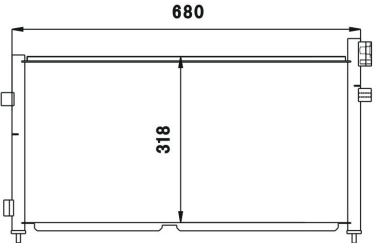
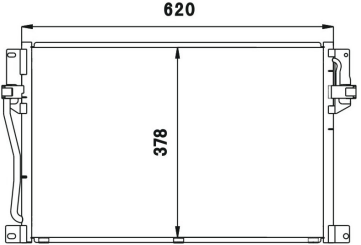
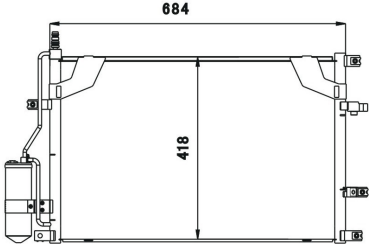
TOYOTA

<p>6380041 Condenser</p>		<p>6380042 Condenser</p>	
<p>CARTYPE: TOYOTA HILUX '05- CORE SIZE: 646x438x16 OEM: 88460-OKO80 DPI: TANK SIZE (L): Φ20x457 TANK SIZE (R): Φ20x457 CARTON:</p>		<p>CARTYPE: TOYOTA CORE SIZE: 644x368x16 OEM: DPI: TANK SIZE (L): Φ20x386 TANK SIZE (R): Φ20x386 CARTON:</p>	
<p>6380043 Condenser</p>		<p>6380044 Condenser</p>	
<p>CARTYPE: TOYOTA ECHO '99- CARTYPE: TOYOTA YARIS '99- CORE SIZE: 531x328x16 OEM: 88460-52040 DPI: TANK SIZE (L): Φ20x350 TANK SIZE (R): Φ20x350 CARTON:</p>		<p>CARTYPE: TOYOTA LANDCRUISER 80 '94- (4500) CORE SIZE: 711x358x16 OEM: 88460-60160 DPI: TANK SIZE (L): Φ20x356 TANK SIZE (R): Φ20x356 CARTON:</p>	
<p>6380045 Condenser</p>		<p>6380046 Condenser</p>	
<p>CARTYPE: TOYOTA PICKUP '2000 CORE SIZE: 574x268x16 OEM: DPI: TANK SIZE (L): Φ20x393 TANK SIZE (R): Φ20x393 CARTON:</p>		<p>CARTYPE: TOYOTA HILUX '97- CORE SIZE: 574x278x16 OEM: 88460-35200 DPI: TANK SIZE (L): Φ20x293 TANK SIZE (R): Φ20x293 CARTON:</p>	
<p>6380047 Condenser</p>		<p>6380048 Condenser</p>	
<p>CARTYPE: TOYOTA CORE SIZE: 651x478x16 OEM: DPI: TANK SIZE (L): Φ20x494.5 TANK SIZE (R): Φ20x494.5 CARTON:</p>		<p>CARTYPE: TOYOTA CORE SIZE: 651x478x16 OEM: DPI: TANK SIZE (L): Φ20x494.5 TANK SIZE (R): Φ20x494.5 CARTON:</p>	

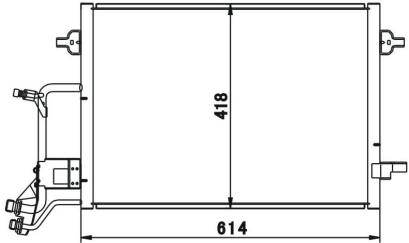
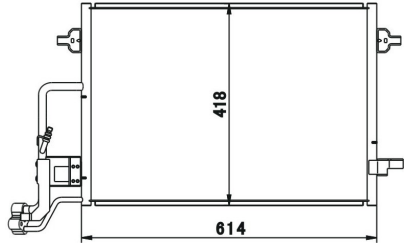
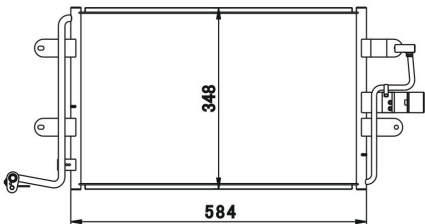
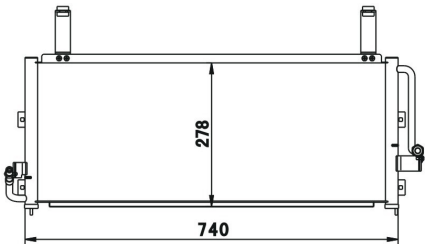
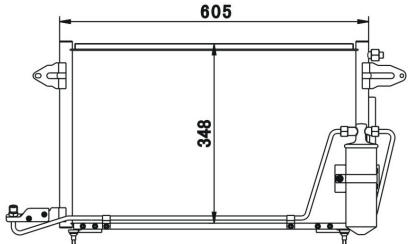
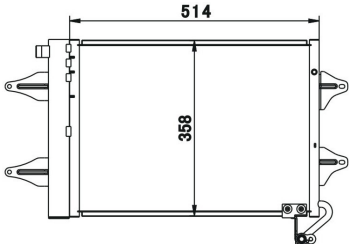
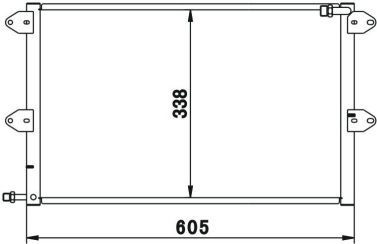
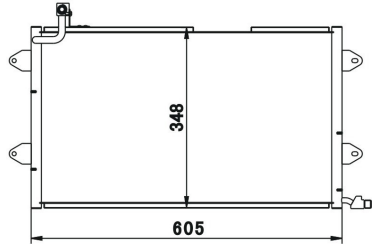
TOYOTA

<p>6380049 Condenser</p>		<p>6380050 Condenser</p>	
<p>CARTYPE: TOYOTA ZRE152 '07 COROLLA (Thailand ed.) CORE SIZE: 625x358x16 OEM: 88450-O2280 DPI: TANK SIZE (L): $\Phi 20 \times 385$ TANK SIZE (R): $\Phi 20 \times 385$ CARTON:</p>		<p>CARTYPE: TOYOTA RAV4 '06-09 CARTYPE: TOYOTA ACR50 '07- CORE SIZE: 705x408x16 OEM: 88460-42100 DPI: TANK SIZE (L): $\Phi 20 \times 420$ TANK SIZE (R): $\Phi 20 \times 420$ CARTON:</p>	
<p>6380051 Condenser</p>		<p>6380052 Condenser</p>	
<p>CARTYPE: TOYOTA LEXUS LS430/UCF30 '00- CORE SIZE: 740x428x16 OEM: 16400-50230 DPI: TANK SIZE (L): $\Phi 20 \times 463$ TANK SIZE (R): $\Phi 20 \times 463$ CARTON:</p>		<p>CARTYPE: TOYOTA LEXUS IS350 CORE SIZE: 686x328x16 OEM: DPI: TANK SIZE (L): $\Phi 20 \times 346$ TANK SIZE (R): $\Phi 20 \times 346$ CARTON:</p>	

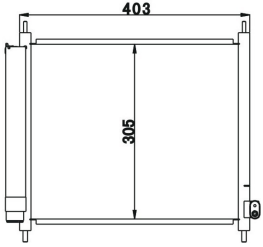
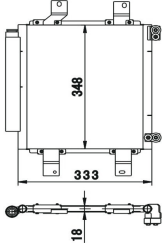
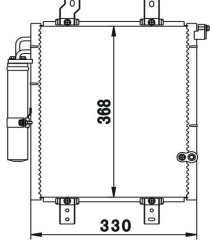
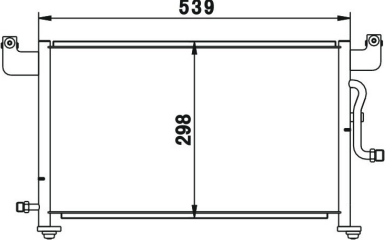
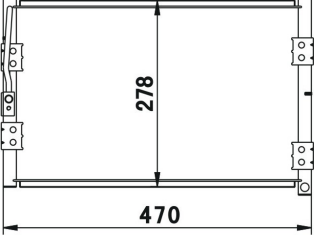
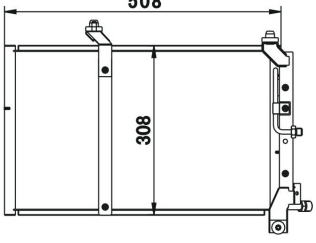
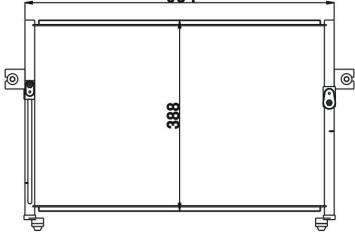
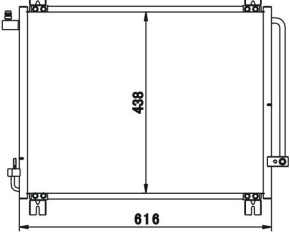
VOLVO

6390001 Condenser		6390002 Condenser	
CARTYPE: VOLVO S40/V40 CARTYPE: CARISMA '95-/SPACE STAR '98 CORE SIZE: 670x308x16 OEM: MR146691/30818183 DPI: TANK SIZE (L): $\Phi 20 \times 340$ TANK SIZE (R): $\Phi 20 \times 340$ CARTON:		CARTYPE: VOLVO FM-10 '99- CARTYPE: VOLVO FM-12 '98- CORE SIZE: 680x318x16 OEM: 20515136/3981637/21086304 DPI: TANK SIZE (L): $\Phi 20 \times 346$ TANK SIZE (R): $\Phi 20 \times 378$ CARTON:	
6390003 Condenser		6390004 Condenser	
CARTYPE: VOLVO C70/S70 CORE SIZE: 620x378x16 OEM: DPI: TANK SIZE (L): $\Phi 20 \times 390$ TANK SIZE (R): $\Phi 20 \times 390$ CARTON:		CARTYPE: VOLVO S80/C70 '98- CARTYPE: VOLVO S60 '00- CORE SIZE: 684x418x18 OEM: 30676602/31101324/8683360 DPI: TANK SIZE (L): $\Phi 22 \times 436$ TANK SIZE (R): $\Phi 22 \times 436$ CARTON:	

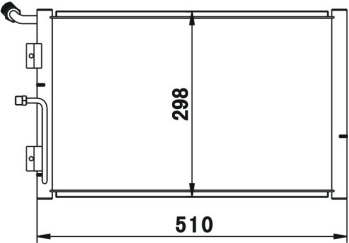
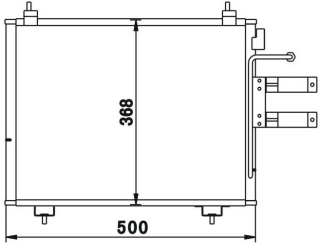
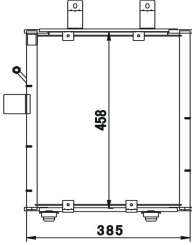
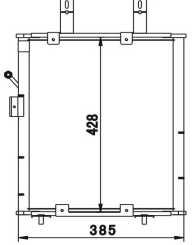
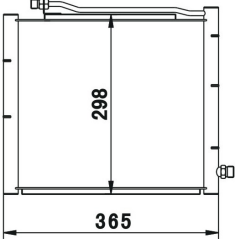
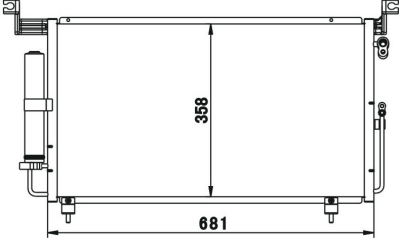
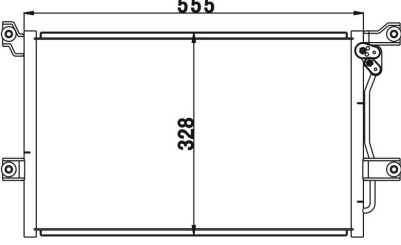
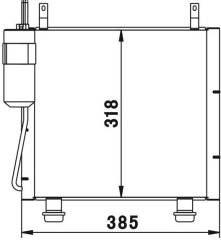
VW

6393001 Condenser		6393002 Condenser			
CARTYPE: VW PASSAT B5 CARTYPE: AUDI A4/S4 '94- CORE SIZE: 614x418x20 OEM: 8D0.260.403E/8D0.260.403H DPI: TANK SIZE (L): Φ 25x420 TANK SIZE (R): Φ 25x420 CARTON:	CARTYPE: VW PASSAT 領取 CARTYPE: SKODA SUPERB '02- CORE SIZE: 614x418x16 OEM: 3B0.260.401/3B0.260.401A/B DPI: TANK SIZE (L): Φ 20x420 TANK SIZE (R): Φ 20x420 CARTON:	6393003 Condenser		6393004 Condenser	
CARTYPE: VW BORA (16) CARTYPE: AUDI A3/S3 '96- CORE SIZE: 584x348x16 OEM: 1J0.820.413L/1J0.820.413A/N DPI: TANK SIZE (L): Φ 20x358 TANK SIZE (R): Φ 20x358 CARTON:	CARTYPE: VW SANTANA 3000 CORE SIZE: 740x278x20 OEM: DPI: TANK SIZE (L): Φ 25x293 TANK SIZE (R): Φ 25x293 CARTON:	6393005 Condenser		6393006 Condenser	
CARTYPE: VW JETTA GT CORE SIZE: 605x348x20 OEM: DPI: TANK SIZE (L): Φ 25x362 TANK SIZE (R): Φ 25x362 CARTON:	CARTYPE: VW POLO CARTYPE: SEAT CORDOBA '02- CORE SIZE: 514x358x16 OEM: 6Q0.820.411/6Q0.820.411E/B DPI: TANK SIZE (L): Φ 20x363 TANK SIZE (R): Φ 20x363 CARTON:	6393007 Condenser		6393008 Condenser	
CARTYPE: VW CITY GOLF CARTYPE: SEAT CORDOBA '96- CORE SIZE: 605x338x20 OEM: 6K0.820.413A/B/C DPI: TANK SIZE (L): Φ 25x370 TANK SIZE (R): Φ 25x370 CARTON:	CARTYPE: VW GOLF III '91- CARTYPE: VW GOLF CABRIO '98- CORE SIZE: 605x348x16 OEM: 1HM.820.413B DPI: TANK SIZE (L): Φ 20x352 TANK SIZE (R): Φ 20x352 CARTON:				

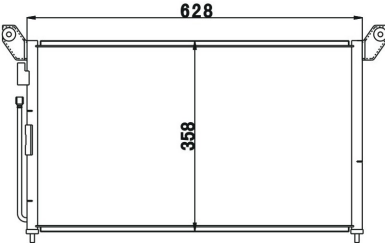
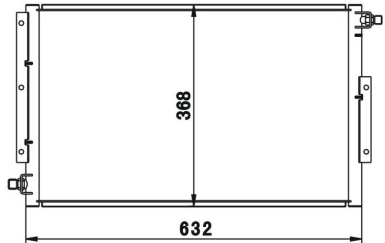
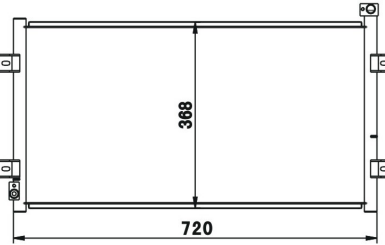
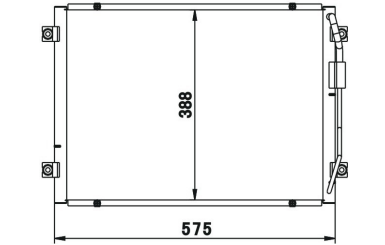
OTHER

6389001 Condenser		6389002 Condenser	
CARTYPE: 日本客戶樣板 CORE SIZE: 403x305x16 OEM: REMARK: 管料16x1.0/波高8mm DPI: TANK SIZE (L): $\Phi 20 \times 345.5$ TANK SIZE (R): $\Phi 20 \times 345.5$ CARTON:		CARTYPE: 比利時樣板 CORE SIZE: 333x348x18 OEM: DPI: TANK SIZE (L): $\Phi 22 \times 350$ TANK SIZE (R): $\Phi 22 \times 350$ CARTON:	
6389003 Condenser		6389004 Condenser	
CARTYPE: 比利時樣板二 CORE SIZE: 330x368x16 OEM: DPI: TANK SIZE (L): $\Phi 20 \times 380$ TANK SIZE (R): $\Phi 20 \times 380$ CARTON:		CARTYPE: CHERY QQ CORE SIZE: 539x298x16 OEM: DPI: TANK SIZE (L): $\Phi 20 \times 322$ TANK SIZE (R): $\Phi 20 \times 322$ CARTON:	
6389005 Condenser		6389006 Condenser	
CARTYPE: 夏利三缸電噴 CORE SIZE: 470x278x16 OEM: DPI: TANK SIZE (L): $\Phi 20 \times 289$ TANK SIZE (R): $\Phi 20 \times 301$ CARTON:		CARTYPE: 夏利 CORE SIZE: 508x308x16 OEM: DPI: TANK SIZE (L): $\Phi 20 \times 307.5$ TANK SIZE (R): $\Phi 20 \times 307.5$ CARTON:	
6389007 Condenser		6389008 Condenser	
CARTYPE: JAC REFINE '03 CORE SIZE: 634x388x16 OEM: DPI: TANK SIZE (L): $\Phi 20 \times 400$ TANK SIZE (R): $\Phi 20 \times 400$ CARTON:		CARTYPE: JAC REFINE CORE SIZE: 616x438x16 OEM: DPI: TANK SIZE (L): $\Phi 20 \times 462$ TANK SIZE (R): $\Phi 20 \times 462$ CARTON:	

OTHER

<p>6389009 Condenser</p>		<p>6389010 Condenser</p>	
<p>CARTYPE: Geely 吉利美日 CORE SIZE: 510x298x20 OEM: DPI: TANK SIZE (L): Φ25x374 TANK SIZE (R): Φ25x374 CARTON:</p>		<p>CARTYPE: 長安之星 (新款) CORE SIZE: 500x368x16 OEM: DPI: TANK SIZE (L): Φ20x364 TANK SIZE (R): Φ20x364 CARTON:</p>	
<p>6389011 Condenser</p>		<p>6389012 Condenser</p>	
<p>CARTYPE: 五菱之光 CORE SIZE: 385x458x20 OEM: DPI: TANK SIZE (L): Φ25x466 TANK SIZE (R): Φ25x466 CARTON:</p>		<p>CARTYPE: 五菱之光 (新款) CORE SIZE: 385x428x20 OEM: DPI: TANK SIZE (L): Φ25x454 TANK SIZE (R): Φ25x454 CARTON:</p>	
<p>6389013 Condenser</p>		<p>6389014 Condenser</p>	
<p>CARTYPE: 江南奧拓 CORE SIZE: 365x298x20 OEM: DPI: TANK SIZE (L): Φ25x300 TANK SIZE (L): Φ25x300 CARTON:</p>		<p>CARTYPE: 哈飛賽馬 CORE SIZE: 681x358x16 OEM: DPI: TANK SIZE (L): Φ20x377 TANK SIZE (R): Φ20x377 CARTON:</p>	
<p>6389015 Condenser</p>		<p>6389016 Condenser</p>	
<p>CARTYPE: 東風風行 CORE SIZE: 555x328x16 OEM: DPI: TANK SIZE (L): Φ20x335 TANK SIZE (R): Φ20x335 CARTON:</p>		<p>CARTYPE: 昌河北斗星 CORE SIZE: 385x318x20 OEM: DPI: TANK SIZE (L): Φ25x330 TANK SIZE (R): 25x330 CARTON:</p>	

OTHER

<p>6389017 Condenser</p>		<p>6389018 Condenser</p>	
<p>CARTYPE: ZHONG HUA (中華) CORE SIZE: 628x358x16 OEM: DPI: TANK SIZE (L): Φ20x363 TANK SIZE (R): Φ20x363 CARTON:</p>		<p>CARTYPE: Steyr King CORE SIZE: 632x368x20 OEM: DPI: TANK SIZE (L): Φ25x374 TANK SIZE (R): Φ25x374 CARTON:</p>	
<p>6389019 Condenser</p>		<p>6389020 Condenser</p>	
<p>CARTYPE: 解放奧威 CORE SIZE: 720x368x20 OEM: DPI: TANK SIZE (L): Φ25x378 TANK SIZE (R): Φ25x392 CARTON:</p>		<p>CARTYPE: 奧鈴 CORE SIZE: 575x388x20 OEM: DPI: TANK SIZE (L): Φ25x397 TANK SIZE (R): Φ25x397 CARTON:</p>	