

VIEWORK[®]

Car Camera & Monitor / Car DVR / Car Accessories



***Driving Ahead with
Revolutionary Technology***

JJ Milestones

- 2004 – JJ International established in Taichung, Taiwan as a professional RD and manufacturer for Mobile Electronics
- 2006 – New car camera patented in Taiwan
 - IP68 water and dust approved
- 2007 – New office and factory opened in Changhua, Taiwan
- 2008 – New car camera patented in Taiwan
 - CE, FCC and E-MARK, E13 certified
- 2009 – Became a formal supplier for Nissan Taiwan
- 2011 – ISO9001 certified
 - VIEWORK trademark registered in Taiwan
- 2012 – Rear view mirror monitor patented in Taiwan
 - D&B D-U-N-S registered
- 2013 – Factory expanded with new warehouse opened

2008 -2013 AutoTronics in Taipei



2008



2009



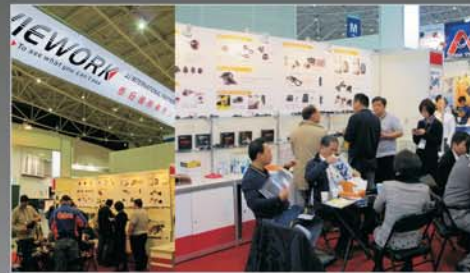
2010



2011



2012



2013

JJ Office and Factory



Factory



R & D



Assembly Line

Certificates



E-Mark / E13 10R-02 3857



CE / R08051606E-B01



FCC / R08051607F-B01



IP68 Water Approval



"VIEWORN" Trademark Registered / Taiwan



Car Camera Patent Taiwan



ISO 9001 Certificate



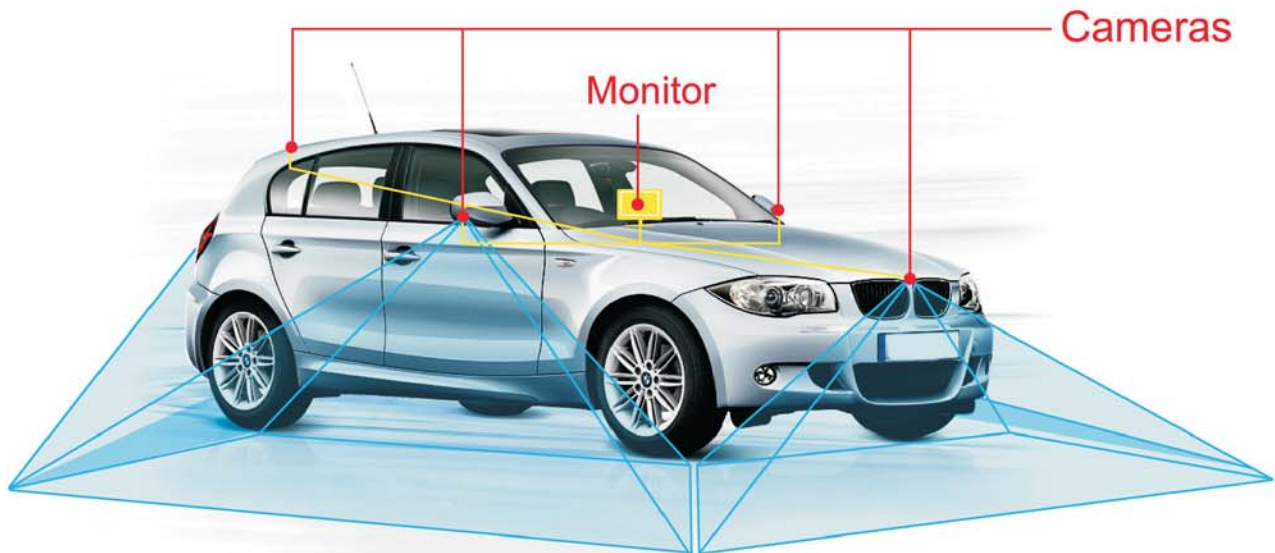
D&B D-U-N-S Registered Certificate



See More & Be Safe

3 in 1 Driving Assistant System

- **360 degrees Around View Monitor System**
- **LDWS - Lane Departure Warning System**
- **FCWS - Forward Collision Warning System**



- Four wide view car camera installed on the FRONT , REAR and SIDES of vehicle as 360 degrees Around View System.
- 360 degrees around view + single view image displayed automatically as car reverse, signal indicator activated or preset speed signals.
- **AUTO and MANUAL Controls**
 - AUTO** : Different image display can be activated through different trigger control automatically such as signal indicator, speed of vehicle or car reverse
 - MANUAL** : The selected image display can also be activated through manual control key pad
- Surrounding display in a Real-Life manner
- Compatible with 12V and 24V DC vehicles
Box dimensions : 130mm (L) x 125mm (W) x 30mm (H)
Operation temperature : -40 ~ 85 degrees



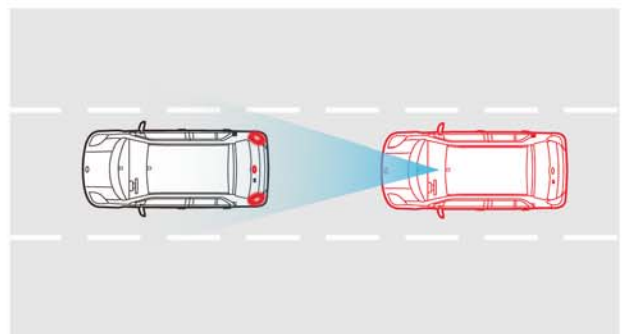
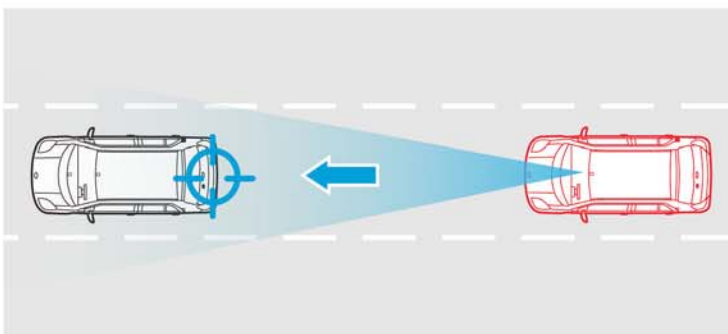
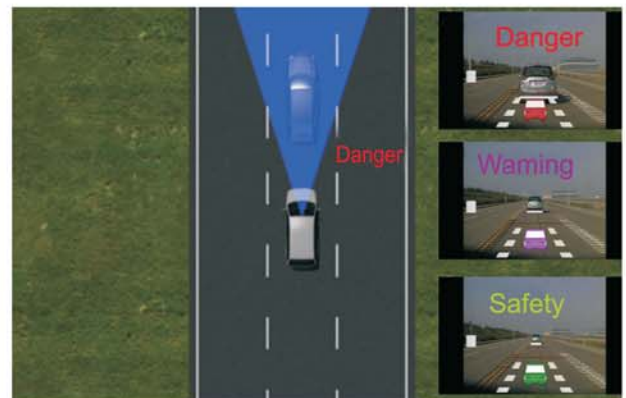
LDWS

- Pre-warning sensitivity programmable
- Operating speed threshold programmable (50 ~ 80 km/hr)
- Visual and audible alerts
- Display module with function status
- LDWS activated : car speed over 60 km/hr
- LDWS shutdown : car speed lower than 55 km/hr



FCWS

- Visual and audible alerts
- Maximum 40M detectable distance
- TTC (Time To Collision) alert calculation
- Operating speed threshold programmable
- FCWS activated : car speed over 60 km/hr
- FCWS shutdown : car speed lower than 55km/hr



J3-200 / 200 degrees

Horizontal 180 degrees Front / Rear View Camera

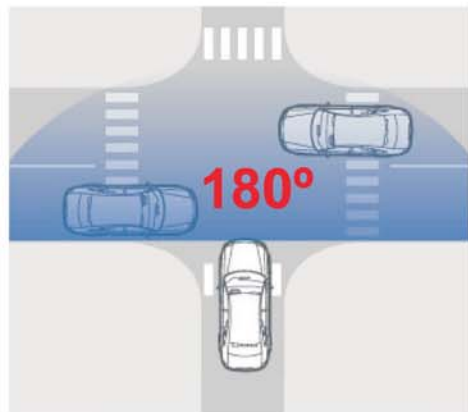
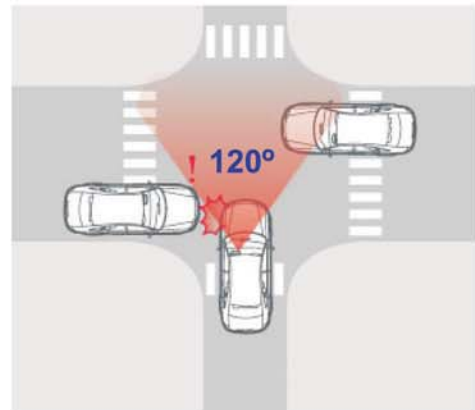


Features: OSD Guide Line Select
Normal / Mirror Switch

Image type : 1/4 CCDS Sensor / 0.6 Lux

Power supply : DC 5-15V / 60mA at 12V

Mini Square : 21 x 21 x 17mm only



S9-200 / 200 degrees

Horizontal 180 degrees Side View Camera

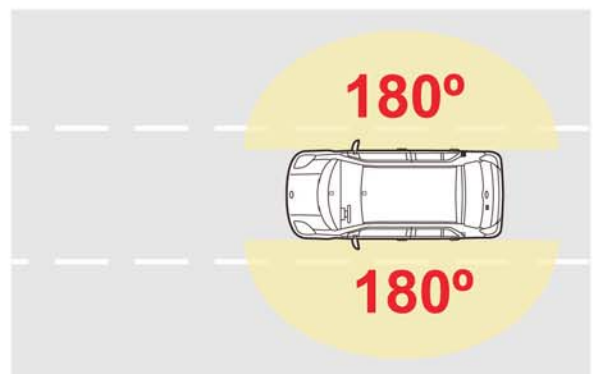


Features: OSD Guide Line Select
Normal / Mirror Switch

Image type : 1/4 CCDS Sensor

Power supply : DC 5-15V / 60mA at 12V

Dimension : 19 mm (diameter)



2 different bracket holders included

Wide Dynamic Range (WDR) image sensor

Avoid image blur by glare or reflection

WDR 1



720P
Full HD

Basic Features for WDR 1 & WDR 2

- Full HD 720P high-definition shooting pixel
- H.264 MOV image compression technology
- Support video image output
- Built-in microphone
- Built-in 3-axis G-Sensor

Additional Features for WDR1:

- 2.5-inch TFT LCD HD display screen
- Built-in speaker
- **Optional GPS: Support track record and automatic time adjustment**

WDR 2



720P
Full HD

Specifications:

	WDR 1	WDR 2
Image sensor	1/ 2.7 " WDR Sensor	
Lens	160 degrees wide angle lens	
Cycle recording	5 min	
Power interface	5V 1A	
Battery	Super Capacitor	
Language	Traditional Chinese, Simplified Chinese , English	
Capacity support	Maximum 32GB of SD card	
Dimension	63 x 75 x 40 mm	56 x 55 x 38 mm
Weight	83 g	65 g

VDR 1



1080P
Full HD

Features:

- Full HD 1080P high-definition shooting pixel
- 2-inch TFT LCD HD display screen
- H.264 MOV image compression technology
- 4x digital zoom
- Support HDMI high-definition double-use image output
- Built-in microphone and speaker
- Built-in 3-axis G-Sensor
- **Optional GPS: Support track record and automatic time adjustment**

Specifications:

Image sensor	5 Mega pixel CMOS
Lens	127 degrees wide angle lens
Cycle recording	1 min / 3 min / 5 min / 10 min
Shutdown delay	0s / 5s / 1 min / 5 min / 30 min / 60 min
Power interface	5V 1A
Battery	Li battery
Language	Traditional Chinese, Simplified Chinese , English, Russian, Italian, Japanese
Capacity support	Maximum 32GB of SD card

TWIN Camera Control Box



VSC-02R1



Product Contents :

1. Control Box x 1 pcs
2. Control Wire x 1 set
3. Switch Button x 1 set

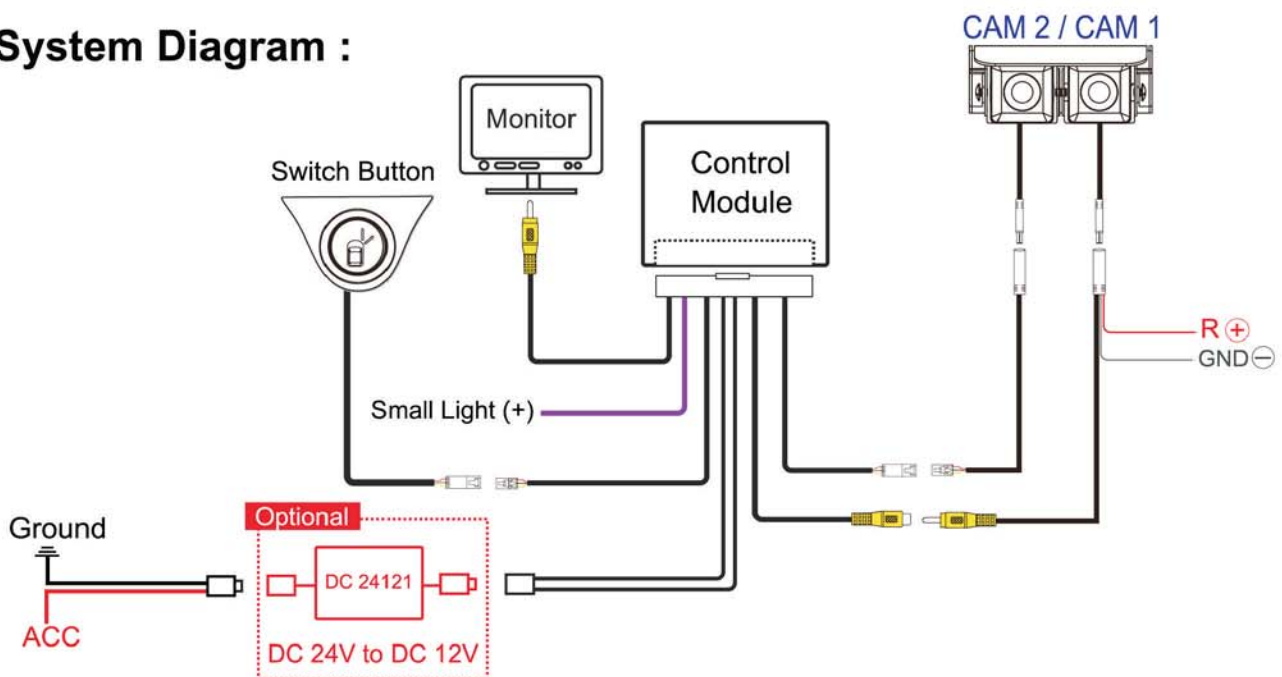
Product Features:

1. **CAM 1 Image Control:**
Image AUTO display as car reverse.
2. **CAM 2 Image Control:**
Image display by MANUAL switch button.

Electrical Specs. :

Item	Spec.
Rated Voltage	DC12V
Operating Voltage	DC 10V ~ 15V
Static Current	0.05 A ~ 0.3 A
Operating Temperature	-10°C ~ 70°C
Storage Temperature	-20°C ~ 80°C
Max. Output Current	1A

System Diagram :



TWIN Rear View Camera

Features: **Far and Close View** / **Wide and Deep View**



T3 / 150+60 degrees

Image type : 1/4 CCDS Sensor / 0 Lux with IR

Power supply : DC 6 -15V / 50mA at 12V

IR LED x 8pcs

Dimension : 71(W) x 32(D) x 27(H) mm

NEW



T4 / 160+90 degrees

Image type : 1/4 CCD Sensor / 0.2 Lux

Power supply : DC 6 -15V / 50mA at 12V

Dimension : 71(W) x 32(D) x 27(H) mm

NEW



T5 / 160+90 degrees

Image type : 1/4 CCDS Sensor / 0.5 Lux

Power supply : DC 6 -15V / 50mA at 12V

Dimension : 71(W) x 32(D) x 27(H) mm

Apply to:



RV



Truck



Horse Trailer



Van



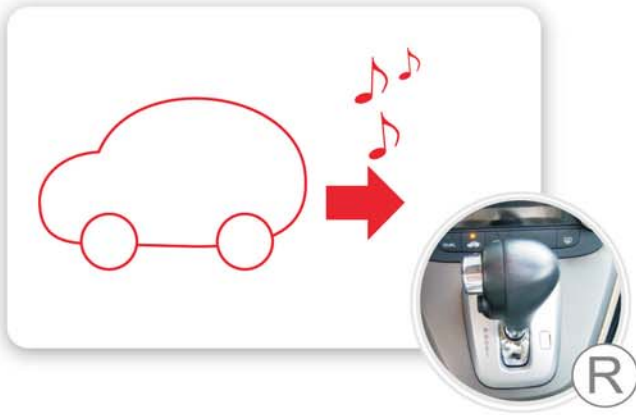
Bus



Trailer

Reversing Music Warning System

Car Reverse Activated :
12 Musics Play Continuously



Signal Indicator Activated :
"Beep" Sound Play Continuously



Specifications:

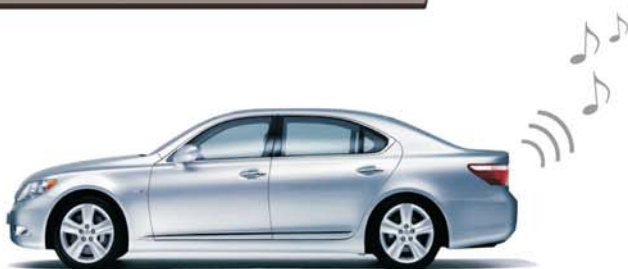
Static Current : 0.05 A ~ 0.3 A
Operating Temperature : -10°C~70°C
Storage Temperature : -20°C ~ 80°C
Max. Output Current : 1A



Wiring Diagram:



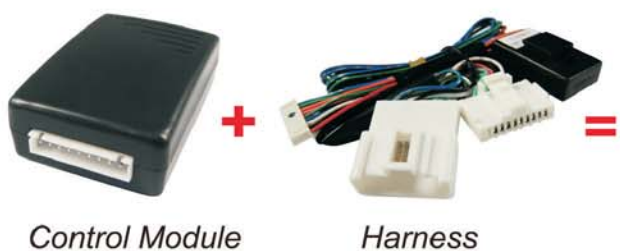
RMS-12 / DC12V



RMS-24 / DC 24V



Door Mirror Folder



Control Module

Harness



Mirror **Unfold** :
Central Unlock Car Doors



Mirror **Fold** :
Central Lock Car Doors

Professional Harness

<p>AFS-A001 TOYOTA Camry, Prius, Altis, Wish, Vios, Yaris, Avensis, RAV 4, Land Cruiser, Hilux</p>	<p>AFS-A004 TOYOTA GT86 (2012)</p>	<p>AFS-A020 TOYOTA Auris (2012)</p>	<p>AFS-A021 TOYOTA RAV4 (2013)</p>	<p>AFS-A002 NISSAN X-Trail, Rogue, Sunny, Qashqai (QQ), Dnwards,</p>	<p>AFS-A003 NISSAN Tiida, Livina, Latio and Cefiro</p>
<p>AFS-A004 NISSAN Teana (2012)</p>	<p>AFS-A005 NISSAN Teana (2007-2008), Bluebird, Almera (2012)</p>	<p>AFS-A008 NISSAN Sylphy</p>	<p>AFS-A013 NISSAN New March, Juke (2013)</p>	<p>AFS-A030 NISSAN Murano (2013)</p>	<p>AFS-A006 HONDA CRV 2, 3, 4, Civic 8, Civic 9, Fit (2013)</p>
<p>AFS-A010 SUZUKI Swift (2013)</p>	<p>AFS-A012 ISUZU D-Max (2012)</p>	<p>AFS-A014 KIA Sportage (2012)</p>	<p>AFS-A014 HYUNDAI ix20, ix35, i30, i40 (2012)</p>	<p>AFS-A017 HYUNDAI Elantra (2012)</p>	<p>AFS-A018 HYUNDAI Santa Fe (2012)</p>
<p>AFS-A009 MAZDA Mazda 6 (Before 2011)</p>	<p>AFS-A011 MAZDA Mazda 3</p>	<p>AFS-A015 MAZDA Mazda 5 (2012)</p>	<p>AFS-A016 MAZDA Mazda 6 (2011/2012)</p>	<p>AFS-A017 MAZDA Mazda 2</p>	<p>AFS-A029 MAZDA New Mazda 6, CX5 (2013)</p>
<p>AFS-A001 SUBARU Impreza, Forester</p>	<p>AFS-A004 SUBARU SUBARU Legacy, Outback (2010)</p>	<p>AFS-A031 LUXGEN Luxgen 7</p>	<p>AFS-A032 LUXGEN Luxgen 5 (2013)</p>	<p>AFS-A033 LUXGEN Luxgen SUV (2013)</p>	<p>AFS-A034 CHEVROLET Cruze (2013)</p>

Universal Harness AFS-A007



Accord 8th Canbus system AFS-002A





CE FC E13 IP68 ISO9001 TAF Quality Management QC011

www.viework.com

JJ International Partnership Co. 泰鈺國際有限公司

No.36-11, Lane 417, Sec. 1, Zhangshui Rd., Xiushui Township, Changhua County 50445, Taiwan

TEL : +886 4 768 6871 FAX : +886 4 768 6872 e-mail : jimmy@jj-intl.com