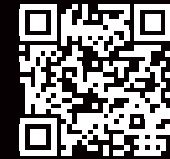


# WTT<sup>®</sup>

Design & Made product

## WHEEL SPACER HUB RING BOLT



[www.techwell.com.tw](http://www.techwell.com.tw)

Made by TECHWELL

# ABOUT US



WTT is a group of superb members.

Our products design derived from user needs.

Not only Japan type and European type wheel spacer but also European Cone seat and Ball seat lengthened wheel bolt and Aluminum hub ring all provide.

First-line automobile mechanics a solution to fix up the inference that cars unable to install wheel smoothly after re-equipping absorber, brake system and wheel.

WTT insists on doing the best---

FINENESS

TOLERANCE IS SMALL

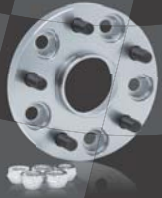
DURABILITY

HIGH QUALITY

WTT products are also fit for Modified car and Racing car.



# INDEX



SHA Series.....3



Uni Series.....8



4x4 Series(SST).....4



Wheel bolt.....9



BHA Series.....5



Hub Ring.....10



HS Series.....6



Lug Nut.....11



WS Series.....7

# SHA Series



## - ASIA TYPE- SHA Series

### FEATURE

**Material** - Forged Aluminum 6061T6

**Finish** - Anodized

**Accessories** - Stud

**Thick** - 15-30mm

**SHA Series** -

Hubcentric wheel adapter is made of lightweight aircraft aluminum alloy.

After being CNC machined and anodized, it becomes incredibly strong, precise, and durable.

Hub is specific to the bore of wheel rim, and nuts are included.

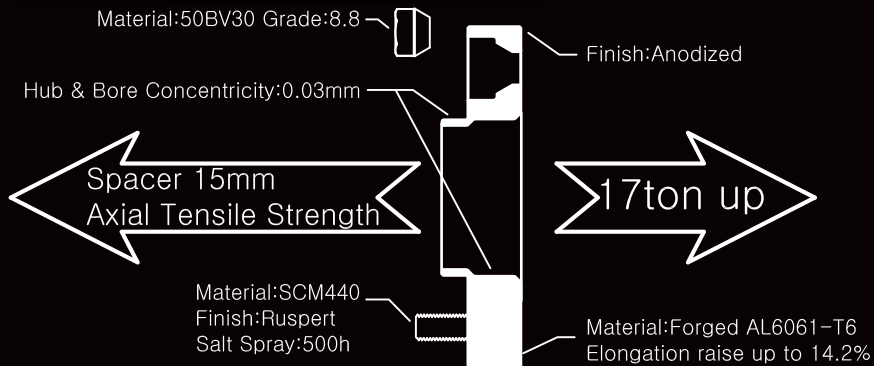
### H/PCD

Vehicle PCD	Wheel PCD	Hub	Thick(mm)	Thread Type(Stud)
4H / 100	4H / 100	54.1 / 56.1	15/20/25/30	M12xP1.5 / M12xP1.25
4H / 114.3	4H / 114.3	56.6 / 60.1 / 64.1 / 66.1 / 67.1	15/20/25/30	M12xP1.5 / M12xP1.25
5H / 100	5H / 100	54.1 / 56.1	15/20/25/30	M12xP1.5 / M12xP1.25
5H / 114.3	5H / 114.3	56.1 / 59.6 / 60.1 / 64.1 / 66.1 / 67.1 / 70.1 / 70.3 / 70.6	15/20/25/30	M12xP1.5 / M12xP1.25

## - USA TYPE- SHA Series

### H/PCD

Vehicle PCD	Wheel PCD	Hub	Thick(mm)	Thread Type(Stud)
4H / 108	4H / 108	63.4	15/20/25/30	M12xP1.5
5H / 114.3	5H / 114.3	63.4 / 70.3 / 70.6	15/20/25/30	1/2"
5H / 108	5H / 108	63.4 / 67.1	15/20/25/30	M12xP1.5
5H / 112	5H / 112	57.1 / 63.4	15/20/25/30	M12xP1.5



# 4x4 Series(SST)

## - 4X4 TYPE- SST Series

### FEATURE

**Material** - Forged Aluminum 6061T6

**Finish** - CNC machined, Anodized

**Accessories** - Stud

**Thick** - 25-50mm

**SST Series** -

Hubcentric wheel adapter is made of lightweight aircraft aluminum alloy.

After being CNC machined and anodized, it becomes incredibly strong, precise, and durable.

Hub is specific to the bore of wheel rim, and nuts are included.

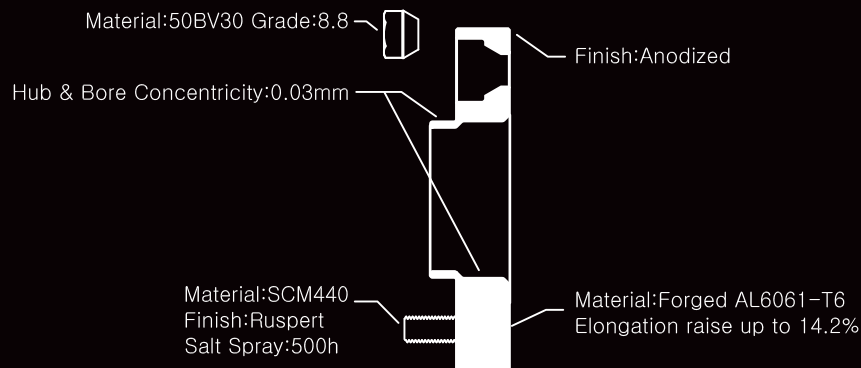
### H/PCD

Vehicle PCD	Wheel PCD	Hub	Thick(mm)	Thread Type(Stud)	Car Model
5H / 139.7	5H / 139.7	108.4	25/30/35/40/45/50	M12xP1.25	SZK
5H / 139.7	5H / 139.7	108	25/30/35/40/45/50	1/2"	Jeep CJ7
5H / 127	5H / 127	71.5	25/30/35/40/45/50	1/2"	Jeep
5H / 114.3	5H / 114.3	71.5	25/30/35/40/45/50	1/2"	Jeep YJ/TJ
5H / 130	5H / 130	84.1	25/30/35/40/45/50	M14xP1.5	G-Class
6H / 139.7	6H / 139.7	106	25/30/35/40/45/50	M12xP1.5	TYT/LUX
6H / 139.7	6H / 139.7	110	25/30/35/40/45/50	M12xP1.25	NSS
5 / 150	5 / 150	110	25/30/35/40/45/50	M14xP1.5	Land Cruiser
5H / 165	5H / 165	112.9	30/35/40/45/50	M16xP1.5	LRV
8H / 165	8H / 165	116.7	30/35/40/45/50	M14xP1.5	HMM

## - 4X4 TYPE- SST IDS Series

### H/PCD

Vehicle PCD	Wheel PCD	Hub	Thick(mm)	Thread Type(Stud)	Car Model
5 / 150	5 / 150	110	25/30/35/40/45/50	M14xP1.5	Land Cruiser 100,200



# BHA Series

## - European TYPE- BHA Series

### FEATURE

**Material** - Forged Aluminum 6061T6

**Finish** - Anodized

**Accessories** - Bolt

**Thick** - 25-30mm

**BHA Series** -

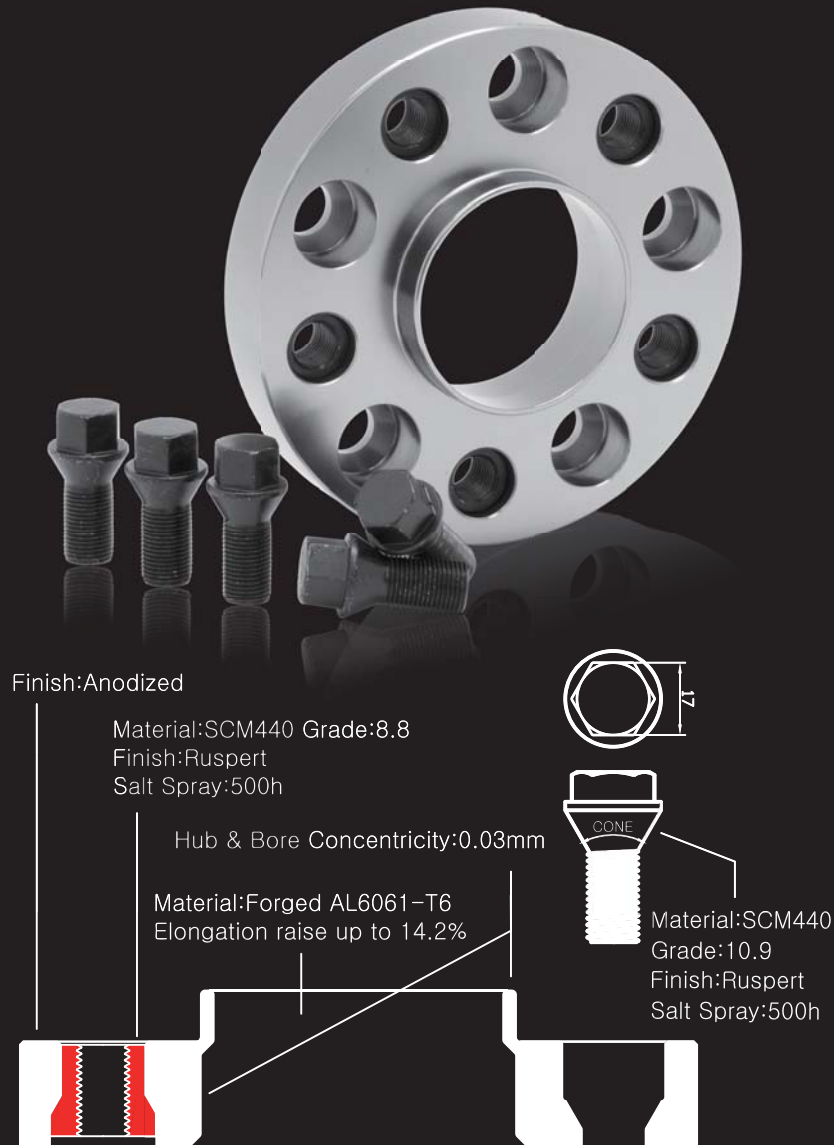
Hubcentric wheel adapter is made of lightweight aircraft aluminum alloy.

After being CNC machined and anodized, it become incredibly strong, precise, and durable.

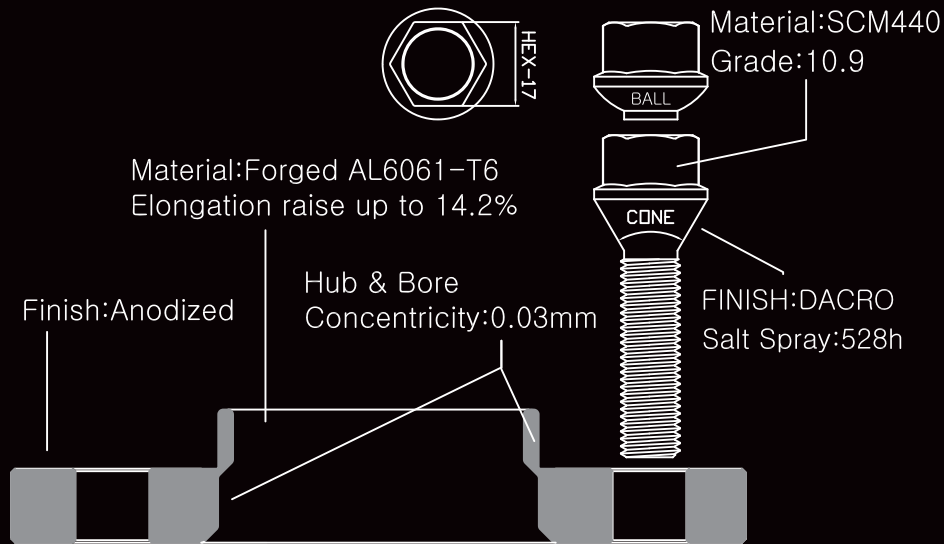
Inner wheel bolts are included to fasten wheel adapter on wheel axle.

### H/PCD

H/ PCD	Hub	Thick(mm)	Thread Type	Car Model
4H/100	56.1	25/30	M12xP1.5/M14xP1.25	BMN
3H/112	57.1	25/30	M12xP1.5	SMT
4H/100	57.1	25/30	M12xP1.5	ADI/VWG
4H/108	57.1	25/30	M14xP1.5	ADI
5H/100	57.1	25/30	M14xP1.5	ADI/VWG
5H/112	57.1	25/30	M14xP1.5	ADI/VWG
4H/108	65.1	25/30	M14xP1.5	VLV/SAB
5H/108	65.1	25/30	M14xP1.5	VLV
5H/110	65.1	25/30	M12xP1.5	SAB
5H/112	66.5	25/30	M12xP1.5/M14xP1.5	ADI/MBZ/VWG
5H/108	67.1	25/30	M14xP1.5	FRR
5H/114.3	67.1	25/30	M14xP1.5	FRR
5H/120	72.6	25/30	M12xP1.5/M14xP1.5/M14xP1.25	BW
5H/120	74.1	25/30	M12xP1.5/M14xP1.5/M14xP1.25	BW
5H/130	71.6	25/30	M14xP1.5	ADI/PSC/VWG
5H/130	84.1	25/30	M14xP1.5	MBZ
6H/130	84.1	25/30	M14xP1.5	MBZ/VWG



# HS Series



## - European TYPE- HS Series

### FEATURE

**Material** - Forged Aluminum 6061T6

**Finish** - Anodized

**Accessories** - Bolt

**Thick** - 10-25mm

**HS Series** -

Hubcentric wheel adapter is made of lightweight aircraft aluminum alloy.

After being CNC machined and anodized, it becomes incredibly strong, precise, and durable.

Longer wheel bolt is required.

### H/PCD

H/ PCD	Hub	Thick(mm)	Car Model
4H/100	56.1	12/15/20/25	BMN
3H/112	57.1	10/15/20/25	SMT
4H/100/108	57.1	10/15/20/25	ADI/VWG
5H/100/112	57.1	10/15/20/25	ADI/VWG
4H/108	65.1	10/15/20/25	VLV/SAB
5H/108/110	65.1	10/15/20/25	VLV/SAB
5H/112	66.5	10/15/20/25	ADI/MBZ/VWG
5H/112F	66.5	10/15/20/25	MBZ
5H/108/114.3	67.1	10/15/20/25	FRR
5H/120	72.6	12/15/20/25	BW
5H/120	74.1	12/15/20/25	BW
5H/130	71.6	10/15/20/25	ADI/PSC/VWG
5H/130	84.1	10/15/20/25	MBZ
6H/130	84.1	10/15/20/25	MBZ/VWG

## - European TYPE- HS IDS Series

### H/PCD

H/ PCD	Hub	Thick(mm)	Car Model
5H/130	71.6	10/15/20/25	PSC

# WS Series



## - European TYPE- WS Series

### FEATURE

**Material** - Extruded Aluminum 6061T6

**Finish** - Anodized

**Accessories** - Bolt

**Thick** - 3/5mm

**WS Series** -

wheel spacer is made of lightweight aircraft aluminum alloy.

After being CNC machined and anodized, it becomes incredibly strong, precise, and durable.

Bore is specific to the hub of wheel axle, and longer wheel bolt is not required.

### H/PCD

H/ PCD	Hub	Thick(mm)	Car Model
4H/100	56.1	3/5	BMN
3H/112	57.1	3/5	SMT
4H/100/108	57.1	3/5	ADI/VWG
5H/100/112	57.1	3/5	ADI/VWG
4H/108	65.1	3/5	VLV/SAB
5H/108/110	65.1	3/5	VLV/SAB
5H/112	66.5	3/5	ADI/MBZ/VWG
5H/108/114.3	67.1	3/5	FRR
5H/120	72.6	3/5	BW
5H/120	74.1	3/5	BW
5H/130	71.6	3/5	ADI/PSC/VWG
5H/130	84.1	3/5	MBZ
5H/130	84.1	3/5	MBZ/VWG

### You can optional accessory or not.

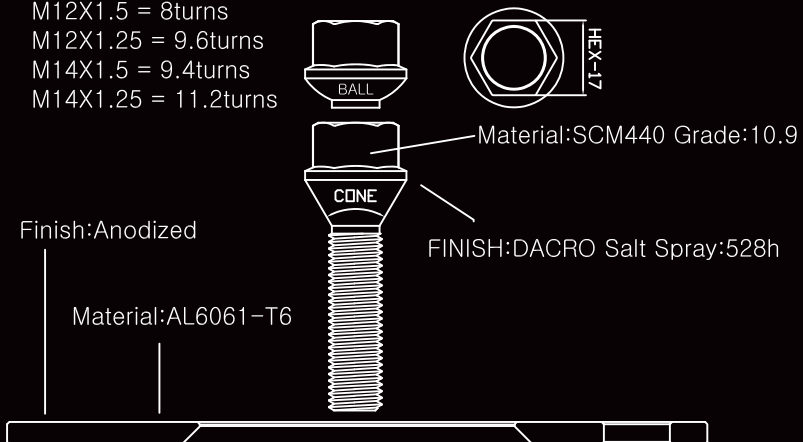
After install WS Series wheel spacer ,original thread if enough?

M12X1.5 = 8turns

M12X1.25 = 9.6turns

M14X1.5 = 9.4turns

M14X1.25 = 11.2turns





# Uni Series

## - Universal TYPE- Uni Series

### FEATURE

**Material** - Die Casting Aluminum 380

**Finish** - Sandblasted/CNC machined/Anodized.

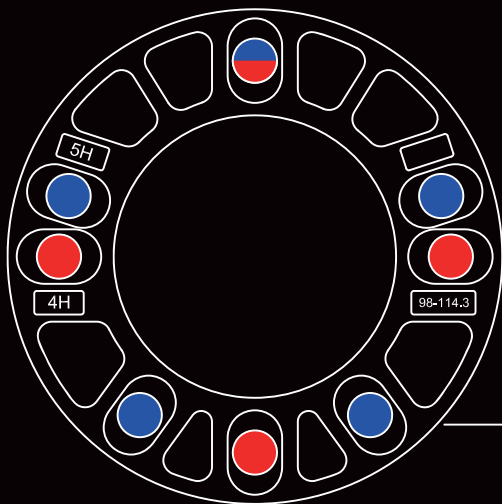
**Thick** - 3/5mm

### Uni Series -

universal wheel spacer is made of A380 by die-casting.

Finish is either sandblasted or CNC machined, and anodized is available after CNC machined.

With universal pattern, it becomes more flexible to fit more vehicles.



5H/PCD:98-114.3



4H/PCD:98-114.3

Material: Die Casting Aluminum 380

### H/PCD

H/ PCD	Thick(mm)	Hole	Finish
98~114.3	3/5	4/5H	Sandblasted
98~114.3	3/5	4/5H	CNC Machined
98~114.3	3/5	4/5H	CNC Machined + Anodized
139.7	5	5/6H	Sandblasted

# Wheel Bolt



## - Wheel Bolt

### FEATURE

**Material** - SCM 440

**Grade** - 10.9

**Finish** - DACRO

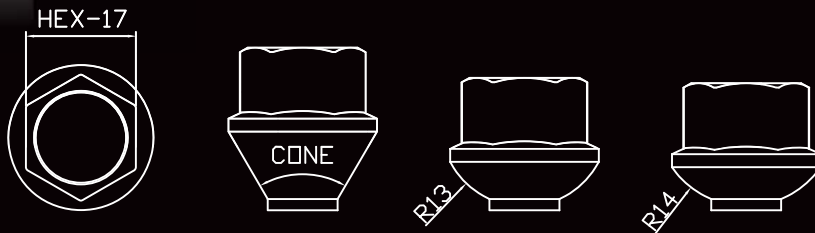
**Durability** - 528H SALT SPRAY

**Hex** - 17mm

**Wheel Bolt -**

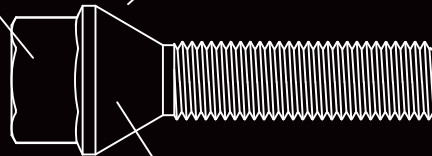
with longer thread length is tensile strength and designed for HS Series wheel spacer.

Please find the longer wheel bolt to fit different thickness of wheel spacer.



Material:SCM440

FINISH:DACRO Salt Spray:528h



Grade10.9 12mm Axial Tensile Strength:  
1182 Mpa(1Mpa=10kg)

SEAT TYPE		
CONE SEAT	BALL SEAT	
60 °	R13	R14
M12X1.5 M12X1.25 M14X1.5 M14X1.25	M14X1.5	M14X1.5
Thread Length		
27/32/38/42/47/52/57/62mm		

# Hub Ring

## - Hub Ring

### FEATURE

**Material** - Extruded Aluminum 6061T6

**Finish** - Anodized

### Hub Ring -

also called spigot, is made of lightweight aircraft aluminum alloy.

So it is much durable than plastic ones.

Hub ring is used with aftermarket wheel rim, and this modification can reduce vibration in high speed.

## - OD size and ID size

OD	ID	Thick(mm)
110-56	106-54	10mm



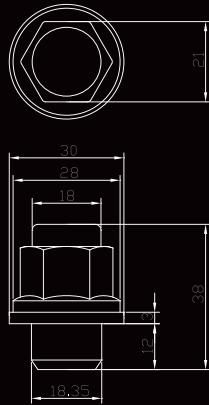
O.D. & I.D. Concentricity:0.01mm

Material:AL6061T6

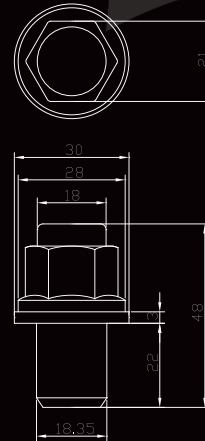
Finish:Anodized



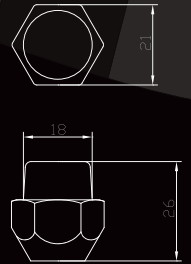
# Lug Nut



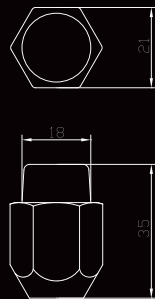
(Wheel Nut)  
21H38L90C&WASHER  
SIZE:  
M12XP1.25  
M12XP1.5  
Finish:Chrome&Zinc



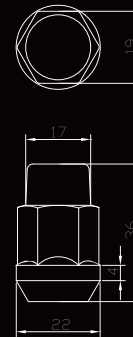
(Wheel Nut)  
21H48L90C&WASHER  
SIZE:  
M12XP1.25  
M12XP1.5  
Finish:Chrome&Zinc



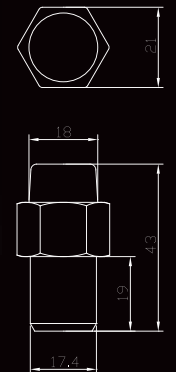
(Short Nut)  
21H26L  
SIZE:  
M12XP1.25  
M12XP1.5  
1/2-20  
Finish:Chrome



(Standard Acorn)  
21H35L  
SIZE:  
M12XP1.25  
M12XP1.5  
1/2-20  
9/16-18  
Finish:Chrome



(Bulge Acorn)  
19H36L  
SIZE:  
M12XP1.25  
M12XP1.5  
1/2-20  
Finish:Chrome



(Standard Mag)  
21H43L  
SIZE:  
M12XP1.25  
M12XP1.5  
1/2-20  
7/16-20  
Finish:Chrome

# Lug Nut



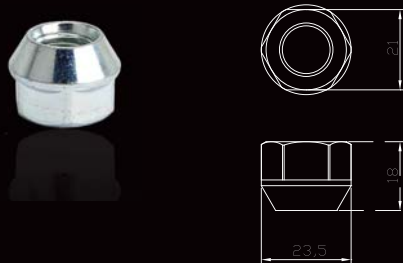
(Outside Stainless Bulge Acorn)  
19H33L  
SIZE:  
M12XP1.25  
M12XP1.5  
1/2-20  
Finish:Stainless&Zinc



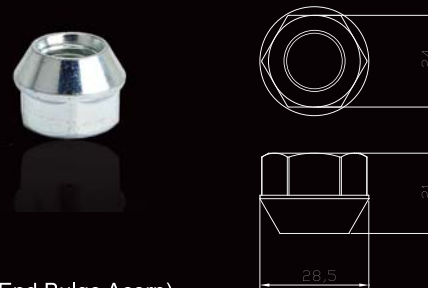
(Outside Stainless Bulge Acorn)  
21H38L  
SIZE:  
M12XP1.25  
M12XP1.5  
1/2-20  
Finish: Stainless&Zinc



(Open End Bulge Acorn)  
19H16L  
SIZE:  
M12XP1.25  
M12XP1.5  
Finish:Zinc



(Open End Bulge Acorn)  
21H18L  
SIZE:  
M14XP1.5  
Finish:Zinc



(Open End Bulge Acorn)  
24H21L  
SIZE:  
M16XP1.5  
Finish:Zinc

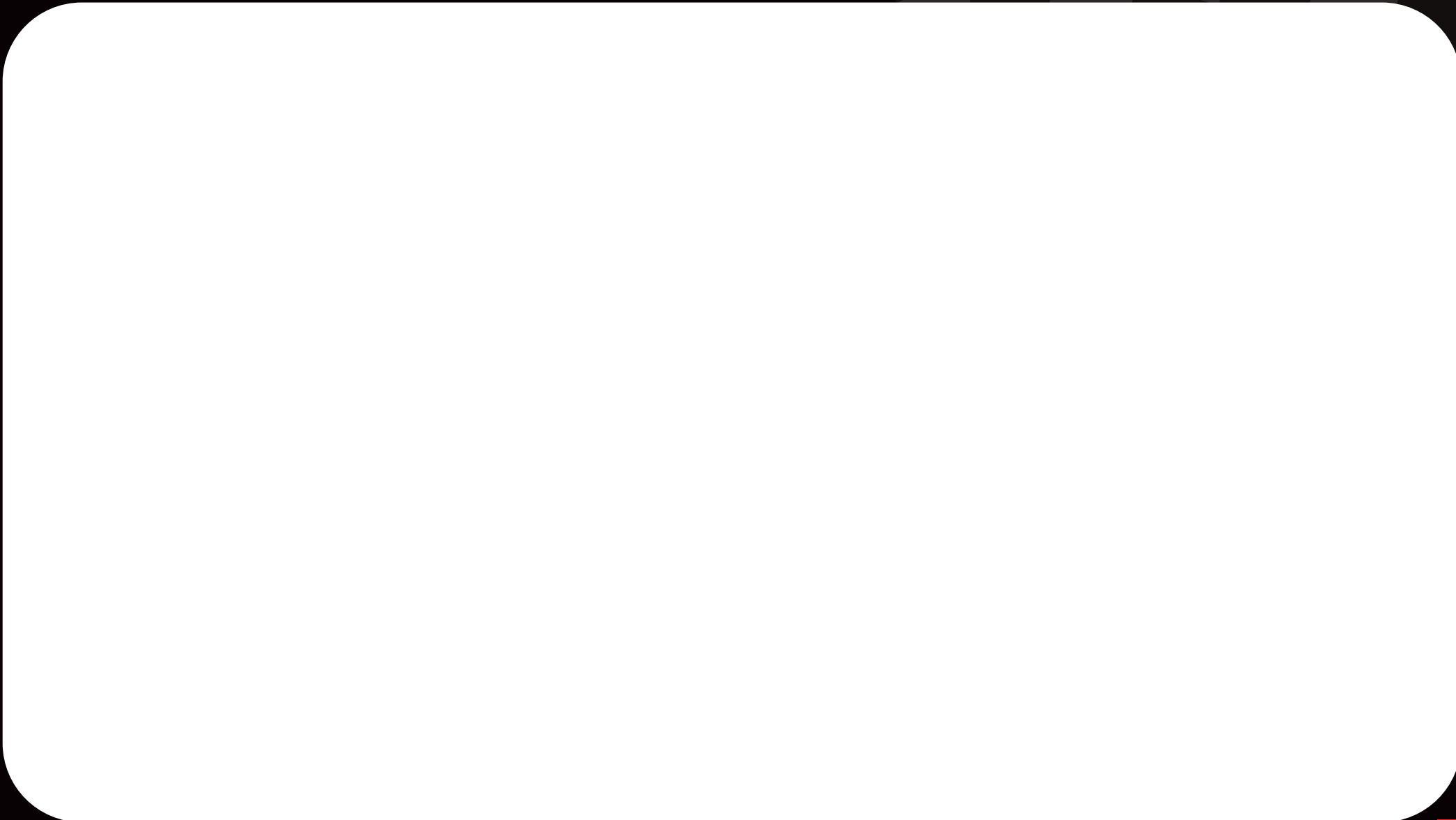
Note

**WTT**<sup>®</sup>  
Design & Made product



Note

**WTT**<sup>®</sup>  
Design & Made product



**MITT**<sup>®</sup>  
Design & Made product

Tel: +886-3-3230646 Fax: +886-3-3230645

E-mail: [info@techwell.com.tw](mailto:info@techwell.com.tw)

No.150, Jhongsing 1st St., Lujhu Township, Taoyuan County 338, Taiwan, R.O.C.



[www.techwell.com.tw](http://www.techwell.com.tw)

© 2016 All rights reserved.  
All trade names are registered trademarks of respective manufacturers listed.  
All specifications are subject to change without notice.  
Designed by TECHWELL Industrial Co., Ltd. in Taiwan  
Made in TAIWAN

Made by TECHWELL