

Precision Planetary Reducer

精密行星減速機

Proven Structure
經過驗證的結構

+

GM
SERIES系列

+

Precise Positioning
精確定位

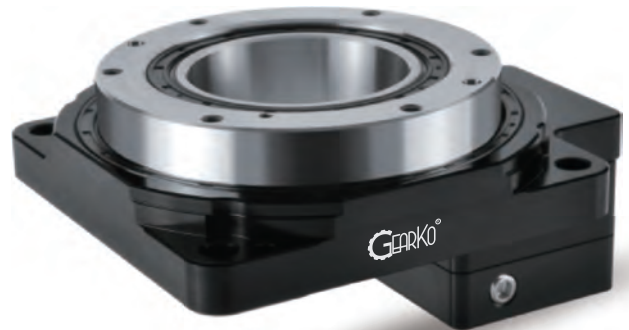
The hollow rotating platform can be driven by different brand servo motors with high precision.
The operation is stable and the positioning is precision.

中空旋轉平台可以由不同品牌的伺服馬達驅動，具有高精度、操作穩定、定位精確。



www.gearko-tw.com

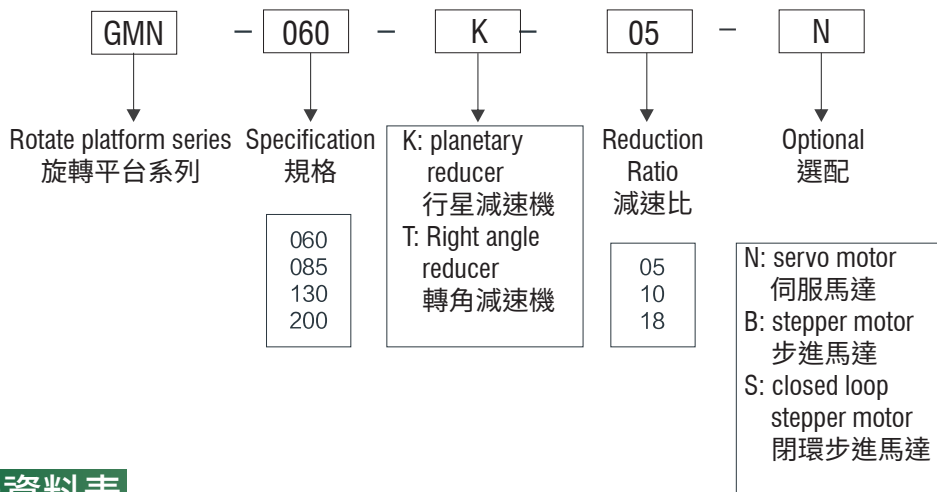
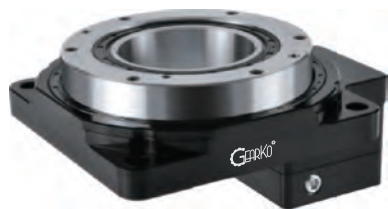
DRIVES THE PRECISION



GM Series GM 系列



www.gearko-tw.com



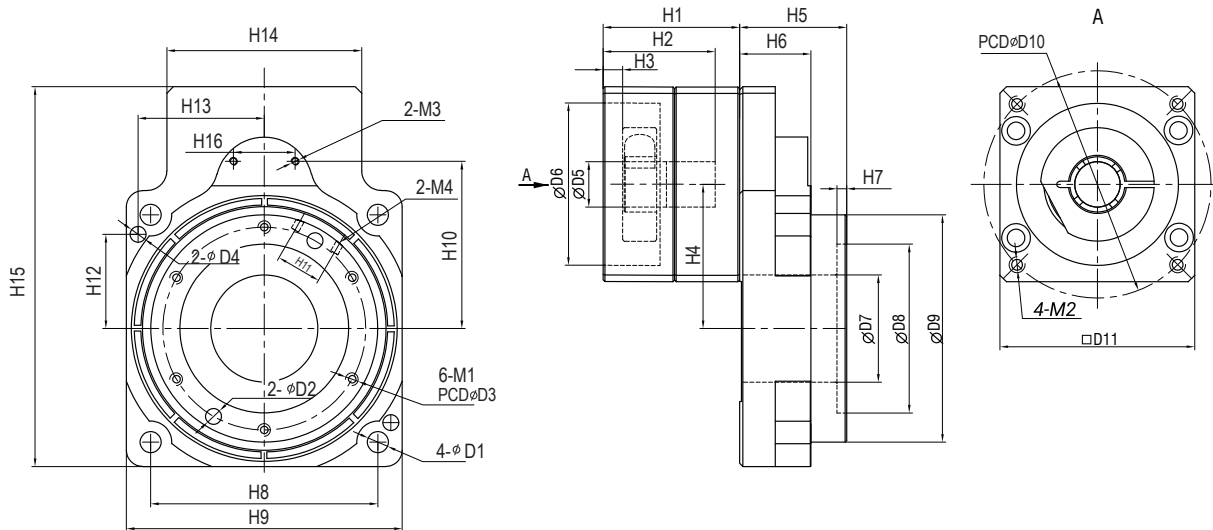
Performance data 性能資料表

規格 Specification		框 Frame							
		GMN060		GMN085		GMN130		GMN200	
減速比 Speed ratio		5	10	5	10	10	18	10	18
匹配伺服電機 Matching servo motor	W	50-100		200-400		200-400		750	
軸承類型 Bearing type		交叉滾子軸承 Crossed roller bearing		交叉滾子軸承 Crossed roller bearing		交叉滾子軸承 Crossed roller bearing		交叉滾子軸承 Crossed roller bearing	
容許轉矩 Allowable torque	Nm	5	3	20	16	32	20	65	50
允許盤面輸出速度 Allowable disk output speed	rpm	200	200	200	200	200	200	200	200
容許軸向負載 Allowable axial load	N	250		500		2000		4000	
重複定位精度 Repeated positioning accuracy	arcsec	±10		±10		±10		±10	
定位精度 Communication accuracy	arcmin	3		3		3		3	
旋轉平台同心度 Flatness of rotating platform	mm	0.01		0.01		0.01		0.01	
輸出端外徑跳動 Outside diameter runout of output end	mm	0.01		0.01		0.01		0.01	
壽命 Service life	h	20000		20000		20000		20000	
噪音 Noise	dB	≤65		≤65		≤65		≤65	
背隙 Backlash	Arcmin	≤1		≤1		≤1		≤1	
防護等級 Protection Class		IP40		IP40		IP40		IP40	
重量 Weight	kg	0.6		1.8		2.5		8	

以上技術參數僅供參考，實際根據客戶提供的數據，會出具相關的技術參數及尺寸。原點傳感器套件：GMN 系列搭配 OMRON EE-SX674
The above technical parameters are for reference only. Actually, according to the data provided by the customer, relevant technical parameters and dimensions will be issued.
Origin Sensor Kit: GMN Series with OMRON EE-SX674

Any product models and parameters in this sample are subject to change without prior notice. Please confirm with the company before ordering.
此型錄中所有產品型號及參數如有變更，恕不另行公告。訂購前請與我們確認。

Specification 規格尺寸表



型號 Model / 單位 Unit:mm	GMN060	GMN085	GMN130	GMN200
D1	4.5	6.5	9	11
D2	3	5	5	8
D3	45	62.5	104	155
D4	N/A	5	5	6
D5	8	14	14	19
D6	30	50	50	70
D7	28	33	62	100
D8	40	52	92	140
D9	50	70	114	170
D10	45	70	70	90/105
D11	42	60	60	90
M1	M3	M4	M5	M6
M2	M3	M5	M5	M6
M3	M2.5	M2.5	M2.5	M2.5
M4	M2.5	M2.5	M2.5	M2.5
H1	34	42	42	59.5
H2	29	34.5	34.7	51.5
H3	6.5	6	6.5	6.5
H4	31.6	44.4	63.5	98.5
H5	32	33	39.6	60.1
H6	21	22	24.6	37.6
H7	3	3	3	3
H8	50	70	110	170
H9	60	85	130	200
H10	40	51.5	69	102
H11	14	14	14	14
H12	N/A	29	45	72.5
H13	N/A	39	60	90
H14	42	60	60	90
H15	82.6	117	158.5	243.5
H16	15	19	15	15

GB

GBR

GD

GDR

GE

GER

GF

GCB

GCBR

GCE

GM

GHA

GA

GAE